

THANK YOU FOR PURCHASING. THIS IS THE INSTALLATION MANUAL OF WALD BODY PARTS FOR MERCEDES-BENZ W204 C-CLASS.
PLEASE READ THIS MANUAL CAREFULLY BEFORE THE INSTALLATION.

ATTENTION



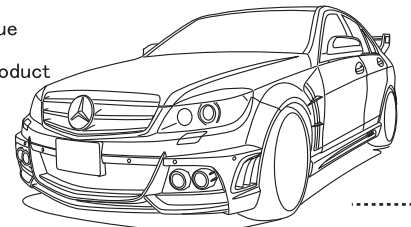
- ※ NO RETURNS CAN BE ACCEPTED BECAUSE OF IMPROPER INSTALLATION OR PAINTING.
- ※ CHECK THE FITMENT, AND ADJUST ALL THE DETAILS BEFORE PAINTING.
- We assume no responsibility for any damage resulting from improper installation, painting, modification and any cut wound in unsealing.
- Contact the car dealer when you have any question in removing OEM parts.
- During all the installation process, use parking brake and stop the engine completely.
- Use rasps or sandpapers to fit the products to the body if there is an individual difference.
- The product is made of FRP. Handle with care. Do not give the excessive force.
- Gradually fix the bolts and nuts by checking the fitment and balance of the installation.
- Check the fitment, and adjust all the details of the fitment steady and proper.
- Please check the fitment and all the details regularly, fix the bolts and nuts as necessary.
- The instruction of painting is just our recommendation, please paint it as you like.
- ※ PLEASE BE AWARE OF:
- You may lose the warranty and all the services from the car maker, because of replacing OEM parts.
- Reduced road clearance may cause inconvenience in using parking curbs and garage jack.
- FRP, ABS and PPE products are slightly weaker than OEM parts in crashes.
- The product may not match the body and OEM color perfectly.

Please purchase double sided tape, primer and caulking glue at auto accessory shop or hardware store.

Completely degrease and paint primer on all the installation positions to enhance the viscosity of double sided tape.
Use dryer to warm double sided tape to enhance the viscosity in low temperature.
Keep the car in a dry condition more than 24 hours after gluing.
Do not wash the car during this time.

	PARTS	QUANTITIES
FRONT BUMPER	FRONT BUMPER	1
	MESHES	1 SET
	BRACKETS	2
	BOLTS (M6 x 15) & NUTS	2 SETS
	FOG LAMPS	2 SETS
FOG LAMP ADAPTER	FOG LAMP ADAPTERS	1 SET
	TAPPING SCREWS (M4 x 10)	8
	BOLTS & NUTS	8 SETS
	SIDE STEPS	1 SET
REAR BUMPER	REAR BUMPER	1
	MESH	1
	LED LAMP	1
	NUTS (M4)	2
	BRACKETS	2
	BOLTS (M5 x 15) & NUTS	4 SETS
REAR WING	REAR WING	1
	TAPPING SCREWS (M4 x 10)	10
	BOLTS (M6 x 15)	8
ROOF SPOILER	ROOF SPOILER	1

Use caulking glue to fill the gap between the product and the body.



FRONT BUMPER & FOG LAMP ADAPTER

[BEFORE PAINTING]

- 1) Remove OEM front bumper according to the Mercedes-Benz manual.
- 2) Relocate OEM bumper support to WALD Front Bumper.
- 3) Temporarily install WALD Front Bumper to the body.
- ※ Adjust the details of WALD Front Bumper to fit the body by rasps or sandpapers.

[AFTER PAINTING]

- 4) Relocate PTS to WALD Front Bumper according to the picture.
- 5) Install the attached meshes to WALD Front Bumper from the rear.
- 6) Temporarily fix all the brackets, bolts and nuts to install WALD Front Bumper to the body.
- 7) Check all the details of the fitment, then use caulking glue, and fix them.
- 8) Process OEM license plate bracket to install it to WALD Front Bumper.

HOW TO INSTALL THE ATTACHED MESHES (STEP 5)

Use pins and caulking glue to install the attached meshes to WALD Front Bumper along the shape of the ducts from the rear.

HOW TO INSTALL PTS (STEP 4)

Remove PTS and use caulking glue to fix them to WALD Front Bumper from the rear. An incorrect installation of PTS may cause a malfunction. Adjust the projections of PTS by processing WALD Front Bumper from the rear according to the picture.

HOW TO INSTALL THE FOG LAMP ADAPTERS

- 1) Temporarily fix the fog lamps to the fog lamp adapters from the rear.
- ※ Adjust the fog lamp adapters if the attached bolts obstruct the installation of the fog lamps.
- 2) Temporarily install the fog lamp adapters to WALD Front Bumper.
- 3) Check all the details of the fitment and optical axis, then use the attached tapping screws, bolts and nuts to fix the fog lamps to the fog lamp adapters.
- 4) Use relay harness with remote controller kit to turn on the LED rings and fog lamps separately.

HOW TO INSTALL OEM HEADLIGHT WASHER COVERS

Adjust the details of OEM headlight washer covers to make them work properly.

HOW TO RELOCATE OEM BUMPER SUPPORT (STEP 3)

Use the attached tapping screws, bolts and nuts to fix the fog lamps to the fog lamp adapters.

HOW TO CUT WALD REAR BUMPER TO INSTALL WALD EXHAUST SYSTEM

■ Unnecessary to cut WALD Rear Bumper for straight-4 model muffler.
■ Cut WALD Rear Bumper to install WALD Exhaust System or V6 model muffler according to the picture.

HOW TO RELOCATE OEM BUMPER SUPPORT (STEP 3)

Use the attached tapping screws, bolts and nuts to fix the fog lamps to the fog lamp adapters.

HOW TO INSTALL THE ATTACHED LED LAMP (STEP 5)

Make sure the attached LED lamp is fine to work before the installation.

HOW TO CUT WALD REAR BUMPER TO INSTALL WALD EXHAUST SYSTEM

■ Unnecessary to cut WALD Rear Bumper for straight-4 model muffler.
■ Cut WALD Rear Bumper to install WALD Exhaust System or V6 model muffler according to the picture.

HOW TO RELOCATE OEM BUMPER SUPPORT (STEP 3)

Use the attached tapping screws, bolts and nuts to fix the fog lamps to the fog lamp adapters.

HOW TO INSTALL THE ATTACHED LED LAMP (STEP 5)

Make sure the attached LED lamp is fine to work before the installation.

HOW TO CUT WALD REAR BUMPER TO INSTALL WALD EXHAUST SYSTEM

■ Unnecessary to cut WALD Rear Bumper for straight-4 model muffler.
■ Cut WALD Rear Bumper to install WALD Exhaust System or V6 model muffler according to the picture.

HOW TO RELOCATE OEM BUMPER SUPPORT (STEP 3)

Use the attached tapping screws, bolts and nuts to fix the fog lamps to the fog lamp adapters.

HOW TO INSTALL THE ATTACHED LED LAMP (STEP 5)

Make sure the attached LED lamp is fine to work before the installation.

HOW TO CUT WALD REAR BUMPER TO INSTALL WALD EXHAUST SYSTEM

■ Unnecessary to cut WALD Rear Bumper for straight-4 model muffler.
■ Cut WALD Rear Bumper to install WALD Exhaust System or V6 model muffler according to the picture.

HOW TO RELOCATE OEM BUMPER SUPPORT (STEP 3)

Use the attached tapping screws, bolts and nuts to fix the fog lamps to the fog lamp adapters.

HOW TO INSTALL THE ATTACHED LED LAMP (STEP 5)

Make sure the attached LED lamp is fine to work before the installation.

SIDE STEP

[BEFORE PAINTING]

- 1) Remove OEM side steps according to the Mercedes-Benz manual.
- 2) Relocate OEM clips to WALD Side Steps.
- 3) Temporarily install WALD Side Steps to the body.
- 4) Paint WALD Side Steps according to the picture.

[AFTER PAINTING]

- 5) Temporarily fix OEM clips and pins to install WALD Side Steps to the body.
- 6) Check all the details of the fitment, then use caulking glue, and fix them.

HOW TO RELOCATE OEM CLIPS (STEP 2)

Use the attached tapping screws, bolts and nuts to fix the fog lamps to the fog lamp adapters.

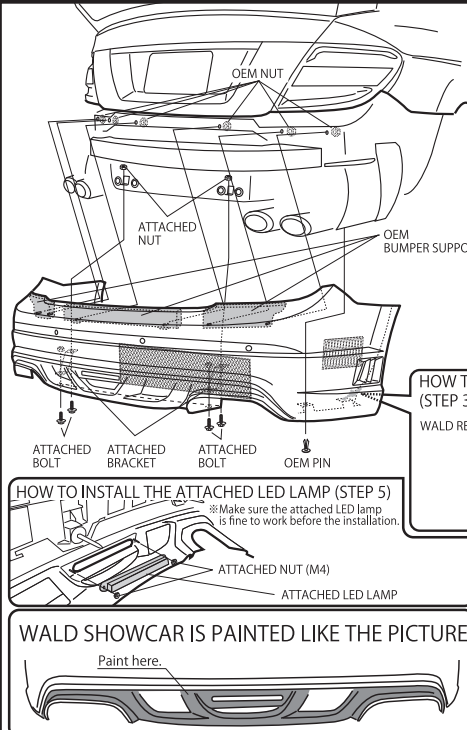
HOW TO PAINT WALD SIDE STEPS (STEP 4)

Paint here.

ATTENTION

※ MORE THAN 2 TECHNICIANS ARE NECESSARY IN THIS WORK. DURING ALL THE INSTALLATION PROCESS, PLEASE BE CAREFUL NOT TO DAMAGE THE BODY. ※ DEGREASE ALL THE INSTALLATION POSITIONS, AND REMOVE THE BODY PROTECTION COATING BEFORE THE INSTALLATION.

REAR BUMPER



[BEFORE PAINTING]

- 1) Remove OEM rear bumper according to the Mercedes-Benz manual.
- 2) Remove OEM bumper support and PTS.
- 3) Relocate OEM bumper support to WALD Rear Bumper, then temporarily install it to the body.
- 4) Adjust the details of WALD Rear Bumper to fit the body by rasps or sandpapers.

[AFTER PAINTING]

- 5) Install the attached mesh and LED lamp to WALD Rear Bumper.
- 6) Use caulking glue to fix PTS to WALD Rear Bumper.
- 7) Temporarily fix all the brackets, pins, bolts and nuts to install WALD Rear Bumper to the body.
- 8) Check all the details of the fitment, then fix them.

HOW TO RELOCATE OEM BUMPER SUPPORT (STEP 3)

Use the attached tapping screws, bolts and nuts to fix the fog lamps to the fog lamp adapters.

HOW TO CUT WALD REAR BUMPER TO INSTALL WALD EXHAUST SYSTEM

■ Unnecessary to cut WALD Rear Bumper for straight-4 model muffler.
■ Cut WALD Rear Bumper to install WALD Exhaust System or V6 model muffler according to the picture.

HOW TO RELOCATE OEM BUMPER SUPPORT (STEP 3)

Use the attached tapping screws, bolts and nuts to fix the fog lamps to the fog lamp adapters.

HOW TO INSTALL THE ATTACHED LED LAMP (STEP 5)

Make sure the attached LED lamp is fine to work before the installation.

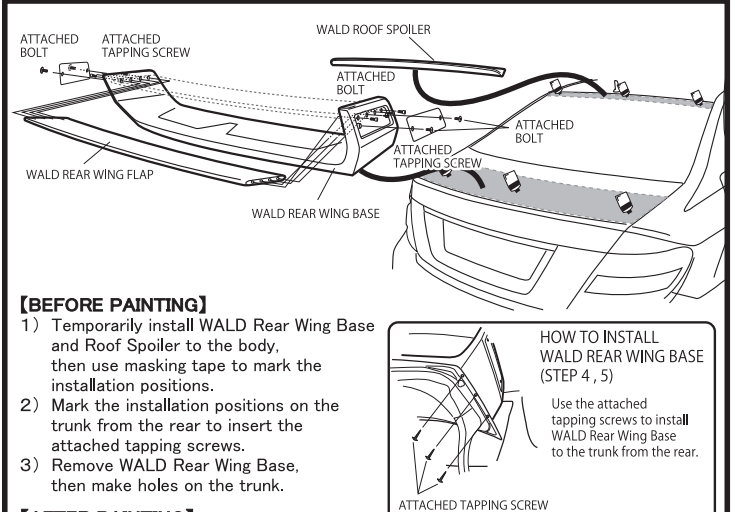
HOW TO CUT WALD REAR BUMPER TO INSTALL WALD EXHAUST SYSTEM

■ Unnecessary to cut WALD Rear Bumper for straight-4 model muffler.
■ Cut WALD Rear Bumper to install WALD Exhaust System or V6 model muffler according to the picture.

HOW TO RELOCATE OEM BUMPER SUPPORT (STEP 3)

Use the attached tapping screws, bolts and nuts to fix the fog lamps to the fog lamp adapters.

REAR WING & ROOF SPOILER



[BEFORE PAINTING]

- 1) Temporarily install WALD Rear Wing Base and Roof Spoiler to the body, then use masking tape to mark the installation positions.
- 2) Mark the installation positions on the trunk from the rear to insert the attached tapping screws.
- 3) Remove WALD Rear Wing Base, then make holes on the trunk.

[AFTER PAINTING]

- 4) Check the fitment, then use caulking glue to fix WALD Rear Wing Base and Roof Spoiler to the body.
- 5) Fix the attached tapping screws.
- 6) Use the attached bolts and tapping screws to install WALD Rear Wing Flap to WALD Rear Wing Base.
- ※ Check the fitment and all the details regularly. Fix the attached bolts and tapping screws as necessary.

ATTENTION

※ MORE THAN 2 TECHNICIANS ARE NECESSARY IN THIS WORK. DURING ALL THE INSTALLATION PROCESS, PLEASE BE CAREFUL NOT TO DAMAGE THE BODY. ※ MARK THE INSTALLATION POSITIONS BY CHECKING THE FITMENT AND USE DRILL TO MAKE HOLES. ※ DEGREASE ALL THE INSTALLATION POSITIONS, AND REMOVE THE BODY PROTECTION COATING BEFORE THE INSTALLATION. ※ CHECK THE FITMENT AND ALL THE DETAILS REGULARLY. FIX THE ATTACHED BOLTS AND TAPPING SCREWS AS NECESSARY.