

Mercedes Benz v-class (W639)

WALD SPORTS LINE
BLACK BISON EDITION

INSTALLATION MANUAL
WALD
Sportliche Autoausrüstung WALD.International

THANK YOU FOR PURCHASING. THIS IS THE INSTALLATION MANUAL OF WALD FRONT BUMPER FOR MERCEDES BENZ W639 V-CLASS.
PLEASE READ THIS MANUAL CAREFULLY BEFORE THE INSTALLATION.

ATTENTION



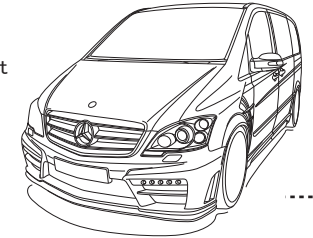
- ※ NO RETURNS CAN BE ACCEPTED BECAUSE OF IMPROPER INSTALLATION OR PAINTING.
- ※ CHECK THE FITMENT, AND ADJUST ALL THE DETAILS BEFORE PAINTING.
- We assume no responsibility for any damage resulting from improper installation, painting, modification and any cut wound in unsealing.
- Contact the car dealer when you have any question in removing OEM parts.
- During all the installation process, use parking brake and stop the engine completely.
- Use rasps or sandpapers to fit the products to the body if there is an individual difference.
- The product is made of FRP. Handle with care. Do not give the excessive force. Gradually fix the bolts and nuts by checking the fitment and balance of the installation.
- Check the fitment, and adjust all the details of the fitment steady and proper. Please check the fitment and all the details regularly, fix the bolts and nuts as necessary.
- The instruction of painting is just our recommendation, please paint it as you like.
- ※ PLEASE BE AWARE OF:
 - You may lose the warranty and all the services from the car maker, because of replacing OEM parts.
 - Reduced road clearance may cause inconvenience in using parking curbs and garage jack.
 - FRP, ABS and PPE products are slightly weaker than OEM parts in crashes.
 - The product may not match the body and OEM color perfectly.

Please purchase double sided tape, primer and caulking glue at auto accessory shop or hardware store.

Completely degrease and paint primer on all the installation positions to enhance the viscosity of double sided tape.
Use dryer to warm double sided tape to enhance the viscosity in low temperature.
Keep the car in a dry condition more than 24 hours after gluing.
Do not wash the car during this time.

	PARTS	QUANTITIES
FRONT BUMPER	FRONT BUMPER	1
	MESHES	1 SET
	BRACKETS	1 SET
	BOLTS (M6 x 12)	2
OPTION PARTS	LED INSERT ADAPTER	1 SET

Use caulking glue to fill the gap between the product and the body.



FRONT BUMPER

【BEFORE PAINTING】

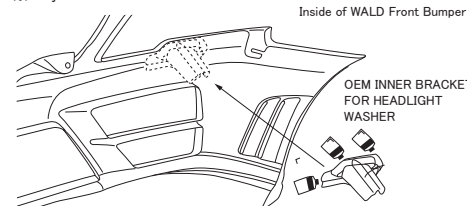
- 1) Remove OEM front bumper according to the Mercedes-Benz service manual.
- 2) Fix the attached brackets on WALD Front Bumper.
- ※ Temporarily fix the attached bolts to adjust the location later.
- 3) Temporarily install WALD Front Bumper to the body.
- ※ Adjust the details of WALD Front Bumper to fit the body by rasps or sandpapers.
- 4) Make holes on WALD Front Bumper for OEM headlight washer covers (Only for After Face Lift Model)
- ※ Although there is a cut-line on WALD Front Bumper, please compare with the shape of OEM headlight washer cover to make holes.

【AFTER PAINTING】

- 5) Fix the attached meshes and OEM inner brackets of headlight washer to WALD Front Bumper with caulking glue.
- 6) Fix the attached brackets, then install WALD Front Bumper to the body.
- 7) Check all the details of the fitment, then tighten with OEM bolts, clips and tapping screws.

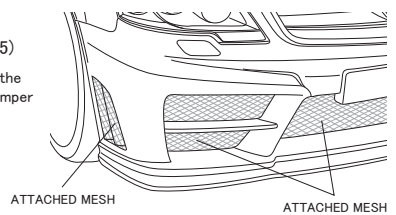
■ HOW TO RELOCATE OEM HEAD LIGHT WASHER (STEP 5)

Relocate OEM washer nozzle from OEM front bumper to WALD Front Bumper, then use caulking glue to fix tightly.
※Only for After Face Lift Model

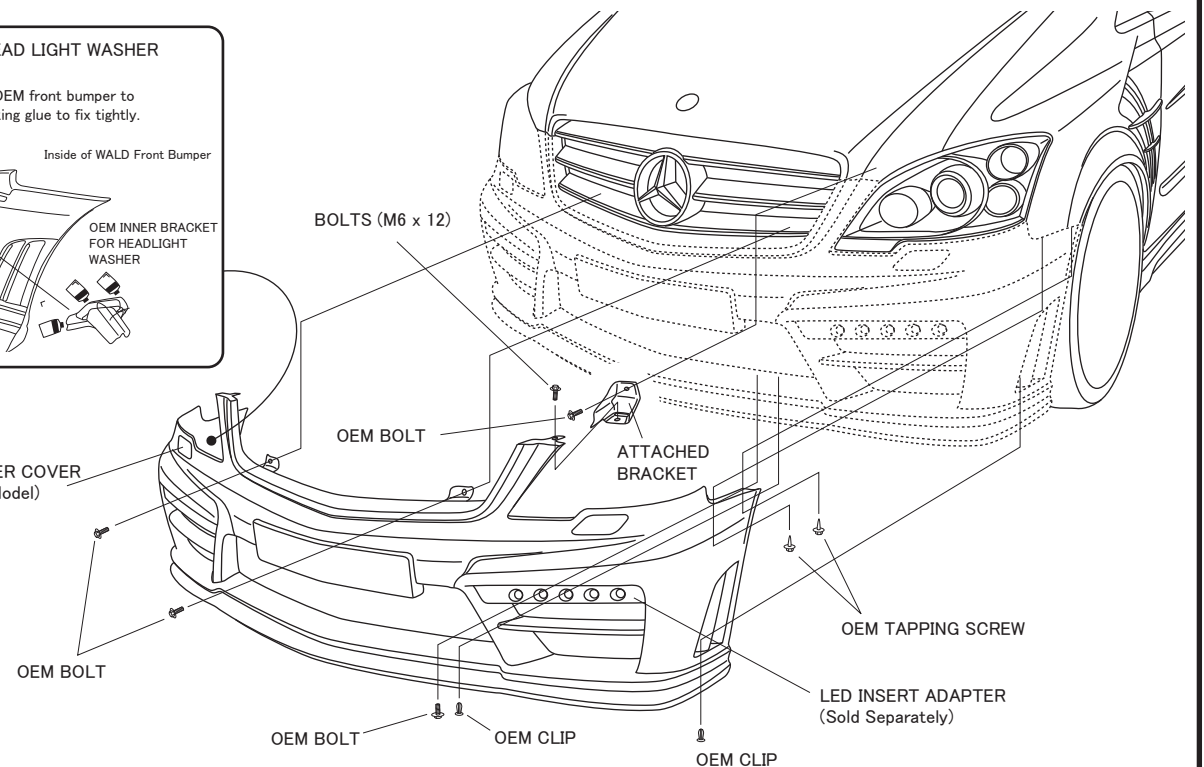


■ HOW TO FIX THE ATTACHED MESHES (STEP 5)

Use pins and caulking glue to install the attached meshes to WALD Front Bumper from the rear.
※Paint the inside of the ducts and pins in black.



OEM HEAD LIGHT WASHER COVER (Only for After Face Lift Model)



ATTENTION

- ※ MORE THAN 2 TECHNICIANS ARE NECESSARY IN THIS WORK.
- ※ DURING ALL THE INSTALLATION PROCESS, PLEASE BE CAREFUL NOT TO DAMAGE THE BODY.
- ※ ADJUST ALL THE DETAILS OF OUR PRODUCTS TO FIT ON A CAR PERFECTLY.

Mercedes Benz v-class (W639)

WALD SPORTS LINE
BLACK BISON EDITION

INSTALLATION MANUAL
WALD
Sportliche Autoausrüstung WALD.International

THANK YOU FOR PURCHASING. THIS IS THE INSTALLATION MANUAL OF WALD LED INSERT ADAPTER FOR MERCEDES BENZ W639 V-CLASS.
PLEASE READ THIS MANUAL CAREFULLY BEFORE THE INSTALLATION.

ATTENTION



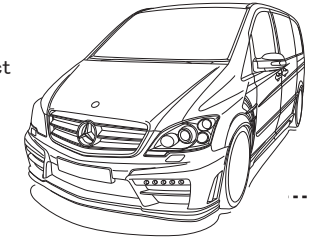
- ※ NO RETURNS CAN BE ACCEPTED BECAUSE OF IMPROPER INSTALLATION OR PAINTING.
- ※ CHECK THE FITMENT, AND ADJUST ALL THE DETAILS BEFORE PAINTING.
- We assume no responsibility for any damage resulting from improper installation, painting, modification and any cut wound in unsealing.
- Contact the car dealer when you have any question in removing OEM parts.
- During all the installation process, use parking brake and stop the engine completely.
- Use rasps or sandpapers to fit the products to the body if there is an individual difference.
- The product is made of FRP. Handle with care. Do not give the excessive force. Gradually fix the bolts and nuts by checking the fitment and balance of the installation.
- Check the fitment, and adjust all the details of the fitment steady and proper. Please check the fitment and all the details regularly, fix the bolts and nuts as necessary.
- The instruction of painting is just our recommendation, please paint it as you like.
- ※ PLEASE BE AWARE OF:
 - You may lose the warranty and all the services from the car maker, because of replacing OEM parts.
 - Reduced road clearance may cause inconvenience in using parking curbs and garage jack.
 - FRP, ABS and PPE products are slightly weaker than OEM parts in crashes.
 - The product may not match the body and OEM color perfectly.

Please purchase double sided tape, primer and caulking glue at auto accessory shop or hardware store.

Completely degrease and paint primer on all the installation positions to enhance the viscosity of double sided tape.
Use dryer to warm double sided tape to enhance the viscosity in low temperature.
Keep the car in a dry condition more than 24 hours after gluing.
Do not wash the car during this time.

	PARTS	QUANTITIES
LED INSERT ADAPTER	LED LAMP	1 SET
	BRACKETS FOR LED LAMP	1 SET
	BOLTS (M5 x 15)	6
	RESISTOR (25W 10Ω)	1 SET

Use caulking glue to fill the gap between the product and the body.



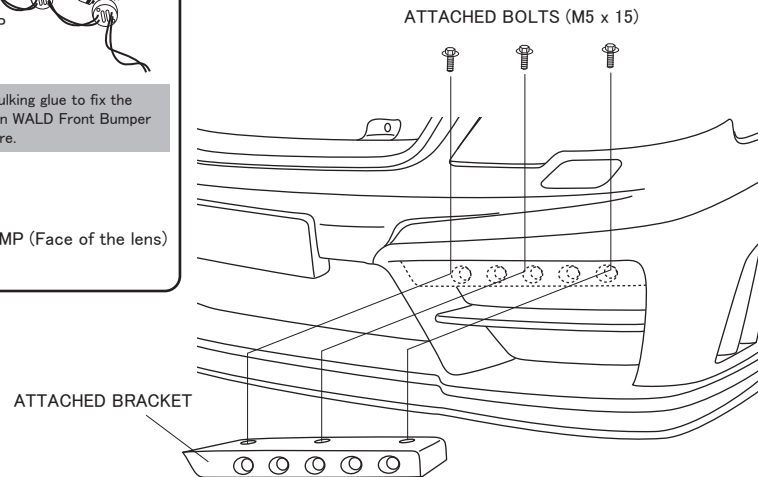
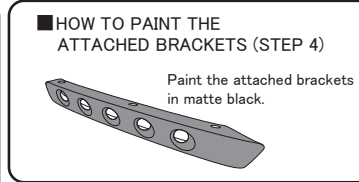
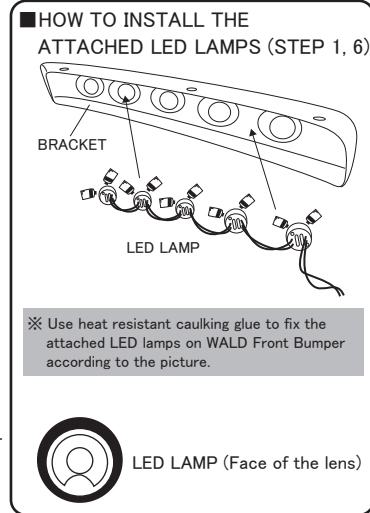
LED INSERT ADAPTER

【BEFORE PAINTING】

- 1) Temporarily fix the attached LED lamps on the attached brackets.
- ※ Adjust the details of the attached brackets to fit the attached LED lamps by rasps or sandpapers.
- 2) Temporarily install the attached brackets to WALD Front Bumper with the attached bolts.
- ※ Adjust the details of the attached brackets and WALD Front Bumper by rasps or sandpapers.
- 3) Prepare to connect the attached LED lamps.
- ※ Insulate any spare harness.
- 4) Paint the attached brackets according to the picture.

【AFTER PAINTING】

- 5) Completely degrease the installation positions, then put the attached LED lamps in proper positions.
- 6) Use caulking glue to fix the attached LED lamps after checking the angle and location.
- ※ Make sure the LED lamps are fine to work before the installation.
- 7) Leave them till completely fixed.
- 8) Install the attached brackets on WALD Front Bumper with the attached bolts.

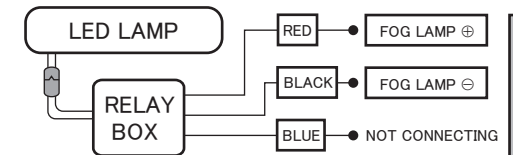


ATTENTION

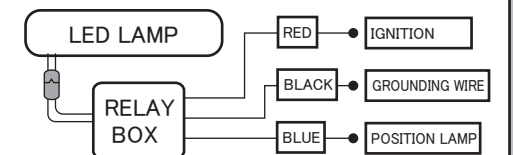
- ※ REMOVE THE BATTERY BEFORE ALL THE WIRING WORKS.
- ※ MAKE SURE OEM FOG LAMPS ARE FINE TO WORK BEFORE THE INSTALLATION.

= WIRING DIAGRAM =

[AS FOG LAMP]



[AS DAYLIGHT]



ATTACHED RESISTOR

- Install the attached resistors away from the harness to prevent the heat of them.

CAR SIDE

Mercedes Benz v-class (W639)

WALD SPORTS LINE
BLACK BISON EDITION

INSTALLATION MANUAL
WALD
Sportliche Autoausrüstung WALD.International

THANK YOU FOR PURCHASING. THIS IS THE INSTALLATION MANUAL OF WALD SIDE STEPS FOR MERCEDES BENZ W639 V-CLASS.
PLEASE READ THIS MANUAL CAREFULLY BEFORE THE INSTALLATION.

ATTENTION




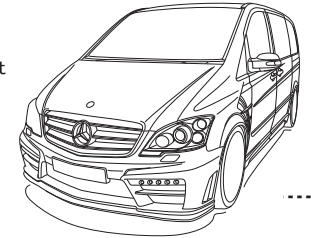
- ※ NO RETURNS CAN BE ACCEPTED BECAUSE OF IMPROPER INSTALLATION OR PAINTING.
- ※ CHECK THE FITMENT, AND ADJUST ALL THE DETAILS BEFORE PAINTING.
- We assume no responsibility for any damage resulting from improper installation, painting, modification and any cut wound in unsealing.
- Contact the car dealer when you have any question in removing OEM parts.
- During all the installation process, use parking brake and stop the engine completely.
- Use rasps or sandpapers to fit the products to the body if there is an individual difference.
- The product is made of FRP. Handle with care. Do not give the excessive force. Gradually fix the bolts and nuts by checking the fitment and balance of the installation.
- Check the fitment, and adjust all the details of the fitment steady and proper. Please check the fitment and all the details regularly, fix the bolts and nuts as necessary.
- The instruction of painting is just our recommendation, please paint it as you like.
- ※ PLEASE BE AWARE OF:
 - You may lose the warranty and all the services from the car maker, because of replacing OEM parts.
 - Reduced road clearance may cause inconvenience in using parking curbs and garage jack.
 - FRP, ABS and PPE products are slightly weaker than OEM parts in crashes.
 - The product may not match the body and OEM color perfectly.

Please purchase double sided tape, primer and caulking glue at auto accessory shop or hardware store.

Completely degrease and paint primer on all the installation positions to enhance the viscosity of double sided tape.
Use dryer to warm double sided tape to enhance the viscosity in low temperature.
Keep the car in a dry condition more than 24 hours after gluing.
Do not wash the car during this time.

	PARTS	QUANTITIES
SIDE STEP	SIDE STEPS	1 SET
	TAPPING SCREWS (M4 X 15)	2

 Use caulking glue to fill the gap between the product and the body.



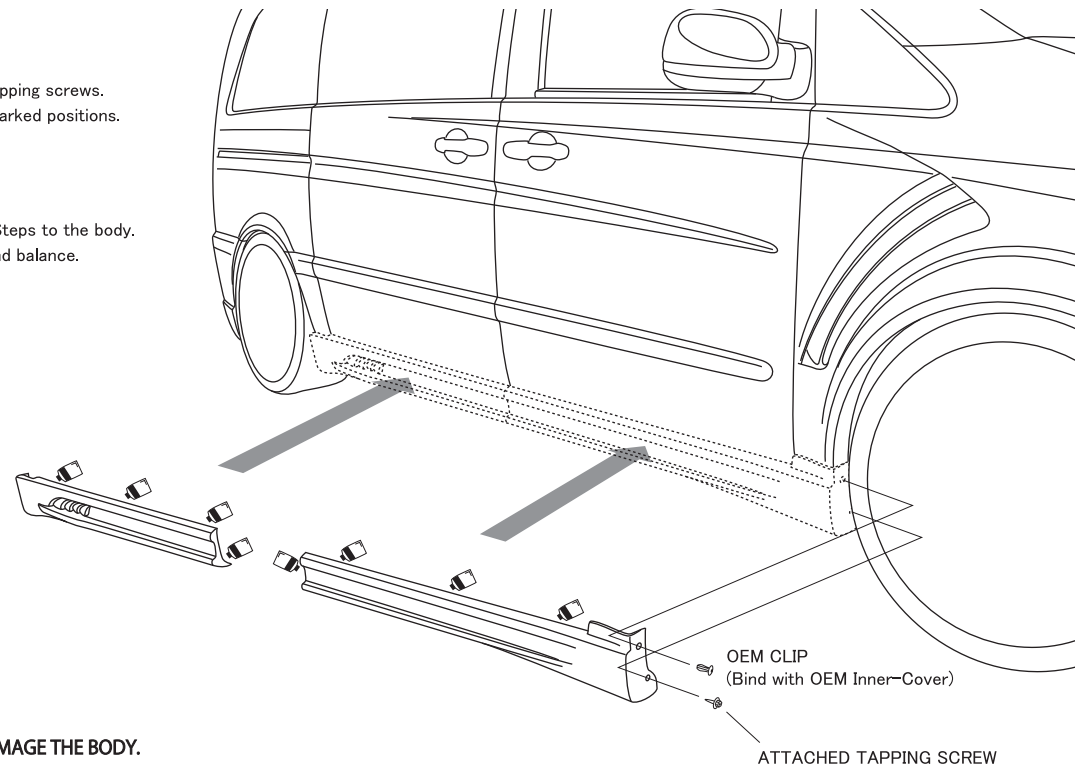
SIDE STEP

【BEFORE PAINTING】

- 1) Temporarily install WALD Side Steps to the body after taking off OEM clips.
- ※ Adjust the details of WALD Side Steps to fit the body by rasps or sandpapers.
- 2) Check all the balance and fitting, then mark the installation positions for OEM tapping screws.
- 3) Taking off WALD Side Steps from the body, then make holes according to the marked positions.
- 4) Temporarily install the rear part of WALD Side Steps to the body.
- ※ Adjust the details of WALD Side Steps to fit the body by rasps or sandpapers.

【AFTER PAINTING】

- 5) Completely degrease the installation positions, and temporarily put WALD Side Steps to the body.
- 6) Use caulking glue, OEM clips and tapping screws after checking all the details and balance.
- 7) Hold WALD Side Steps with the masking tape till completely fixed.
- 8) Leave them till completely fixed.



ATTENTION

- ※ MORE THAN 2 TECHNICIANS ARE NECESSARY IN THIS WORK.
- DURING ALL THE INSTALLATION PROCESS, PLEASE BE CAREFUL NOT TO DAMAGE THE BODY.
- ※ ADJUST ALL THE DETAILS OF OUR PRODUCTS TO FIT ON A CAR PERFECTLY.



Mercedes Benz v-class (W639)

WALD SPORTS LINE
BLACK BISON EDITION

INSTALLATION MANUAL
WALD
Sportliche Autoausrüstung WALD.International

THANK YOU FOR PURCHASING. THIS IS THE INSTALLATION MANUAL OF WALD REAR BUMPER FOR MERCEDES BENZ W639 V-CLASS.
PLEASE READ THIS MANUAL CAREFULLY BEFORE THE INSTALLATION.

ATTENTION



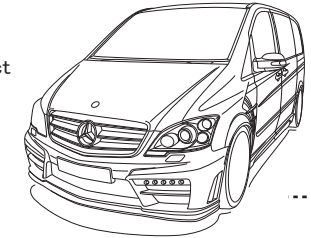
- ※ NO RETURNS CAN BE ACCEPTED BECAUSE OF IMPROPER INSTALLATION OR PAINTING.
- ※ CHECK THE FITMENT, AND ADJUST ALL THE DETAILS BEFORE PAINTING.
- We assume no responsibility for any damage resulting from improper installation, painting, modification and any cut wound in unsealing.
- Contact the car dealer when you have any question in removing OEM parts.
- During all the installation process, use parking brake and stop the engine completely.
- Use rasps or sandpapers to fit the products to the body if there is an individual difference.
- The product is made of FRP. Handle with care. Do not give the excessive force. Gradually fix the bolts and nuts by checking the fitment and balance of the installation.
- Check the fitment, and adjust all the details of the fitment steady and proper. Please check the fitment and all the details regularly, fix the bolts and nuts as necessary.
- The instruction of painting is just our recommendation, please paint it as you like.
- ※ PLEASE BE AWARE OF:
 - You may lose the warranty and all the services from the car maker, because of replacing OEM parts.
 - Reduced road clearance may cause inconvenience in using parking curbs and garage jack.
 - FRP, ABS and PPE products are slightly weaker than OEM parts in crashes.
 - The product may not match the body and OEM color perfectly.

Please purchase double sided tape, primer and caulking glue at auto accessory shop or hardware store.

Completely degrease and paint primer on all the installation positions to enhance the viscosity of double sided tape.
Use dryer to warm double sided tape to enhance the viscosity in low temperature.
Keep the car in a dry condition more than 24 hours after gluing.
Do not wash the car during this time.

	PARTS	QUANTITIES
REAR BUMPER	REAR BUMPER	1
	LED LAMP WITH NUTS	1
	BRACKETS (U-SHAPED/L-SHAPED)	2 SETS
	BOLTS (M6 x 12) & NUTS	4 SETS
	RESISTOR (25W 10Ω)	1

Use caulking glue to fill the gap between the product and the body.



REAR BUMPER

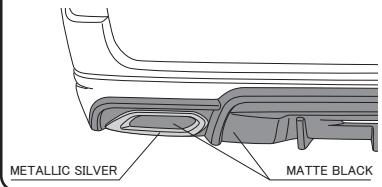
【BEFORE PAINTING】

- 1) Remove OEM rear bumper according to the Mercedes-Benz service manual.
- 2) Fix the attached brackets to the body.
- 3) Temporarily fix WALD Rear Bumper to the body with the necessary OEM parts.
- ※ Adjust the details of WALD Rear Bumper to fit the body by rasps or sandpapers.
- 4) Paint WALD Rear Bumper according to the picture.

【AFTER PAINTING】

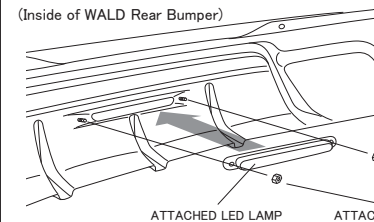
- 5) Fix the attached LED lamp and OEM reflectors on WALD Rear Bumper.
- ※ Make sure the attached LED lamp is fine to work before the installation.
- 6) Temporarily fix WALD Rear Bumper to the body with the necessary OEM parts.
- 7) Check all the details of the fitment, then fix all the OEM bolts, clips and attached bolts.

■ WALD SHOWCAR IS PAINTED LIKE THE PICTURE (STEP 4)

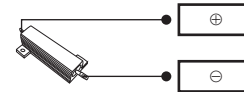


■ HOW TO INSTALL THE ATTACHED LED LAMP (STEP 5)

(Inside of WALD Rear Bumper)



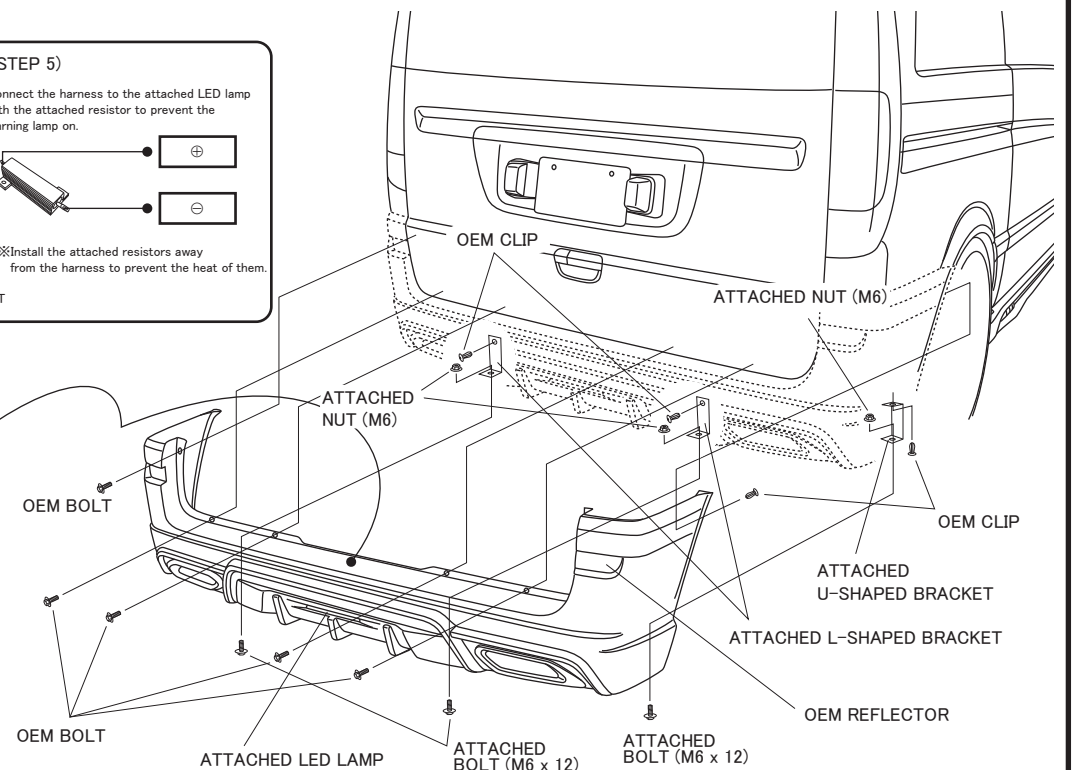
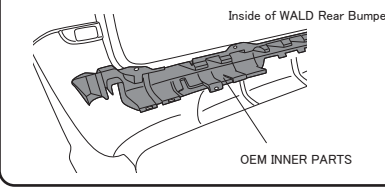
Connect the harness to the attached LED lamp with the attached resistor to prevent the warning lamp on.



※ Install the attached resistors away from the harness to prevent the heat of them.

■ HOW TO INSTALL OEM INNER PARTS (STEP 3, 6)

Replace OEM inner parts from OEM rear bumper to WALD Rear Bumper.



ATTENTION

- ※ MORE THAN 2 TECHNICIANS ARE NECESSARY IN THIS WORK.
- ※ DURING ALL THE INSTALLATION PROCESS, PLEASE BE CAREFUL NOT TO DAMAGE THE BODY.
- ※ REMOVE THE BATTERY BEFORE ALL THE WIRING WORKS.
- ※ ADJUST ALL THE DETAILS OF OUR PRODUCTS TO FIT ON A CAR PERFECTLY.

Mercedes Benz v-class (W639)

WALD SPORTS LINE
BLACK BISON EDITION

INSTALLATION MANUAL
WALD
Sportliche Autoausrüstung WALD.International

THANK YOU FOR PURCHASING. THIS IS THE INSTALLATION MANUAL OF WALD FENDER DUCT FOR MERCEDES BENZ W639 V-CLASS.
PLEASE READ THIS MANUAL CAREFULLY BEFORE THE INSTALLATION.

ATTENTION



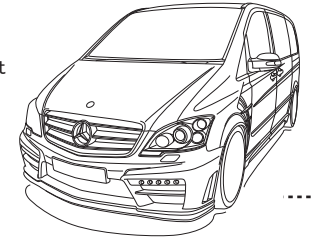
- ※ NO RETURNS CAN BE ACCEPTED BECAUSE OF IMPROPER INSTALLATION OR PAINTING.
- ※ CHECK THE FITMENT, AND ADJUST ALL THE DETAILS BEFORE PAINTING.
- We assume no responsibility for any damage resulting from improper installation, painting, modification and any cut wound in unsealing.
- Contact the car dealer when you have any question in removing OEM parts.
- During all the installation process, use parking brake and stop the engine completely.
- Use rasps or sandpapers to fit the products to the body if there is an individual difference.
- The product is made of FRP. Handle with care. Do not give the excessive force. Gradually fix the bolts and nuts by checking the fitment and balance of the installation.
- Check the fitment, and adjust all the details of the fitment steady and proper. Please check the fitment and all the details regularly, fix the bolts and nuts as necessary.
- The instruction of painting is just our recommendation, please paint it as you like.
- ※ PLEASE BE AWARE OF:
 - You may lose the warranty and all the services from the car maker, because of replacing OEM parts.
 - Reduced road clearance may cause inconvenience in using parking curbs and garage jack.
 - FRP, ABS and PPE products are slightly weaker than OEM parts in crashes.
 - The product may not match the body and OEM color perfectly.

Please purchase double sided tape, primer and caulking glue at auto accessory shop or hardware store.

Completely degrease and paint primer on all the installation positions to enhance the viscosity of double sided tape.
Use dryer to warm double sided tape to enhance the viscosity in low temperature.
Keep the car in a dry condition more than 24 hours after gluing.
Do not wash the car during this time.

	PARTS	QUANTITIES
FENDER DUCT	FENDER DUCT	1 SET
	MESHES	1 SET
OPTION PARTS	FENDER DUCT FINIS	1 SET

Use caulking glue to fill the gap between the product and the body.



FENDER DUCT

[BEFORE PAINTING]

- 1) Remove OEM front fenders according to the Mercedes-Benz service manual.
- 2) Replace OEM plastic anchor to WALD Fender Duct.
- 3) Temporarily install WALD Fender Ducts to the body.
- ※ Adjust the details of WALD Fender Ducts to fit the body by rasps or sandpapers.
- 4) Temporarily put WALD Fender Duct Fins (Sold Separately) on WALD Fender Duct to mark the installation positions.
- 5) Take off WALD Fender Duct from the body, then make holes according to the marked positions.

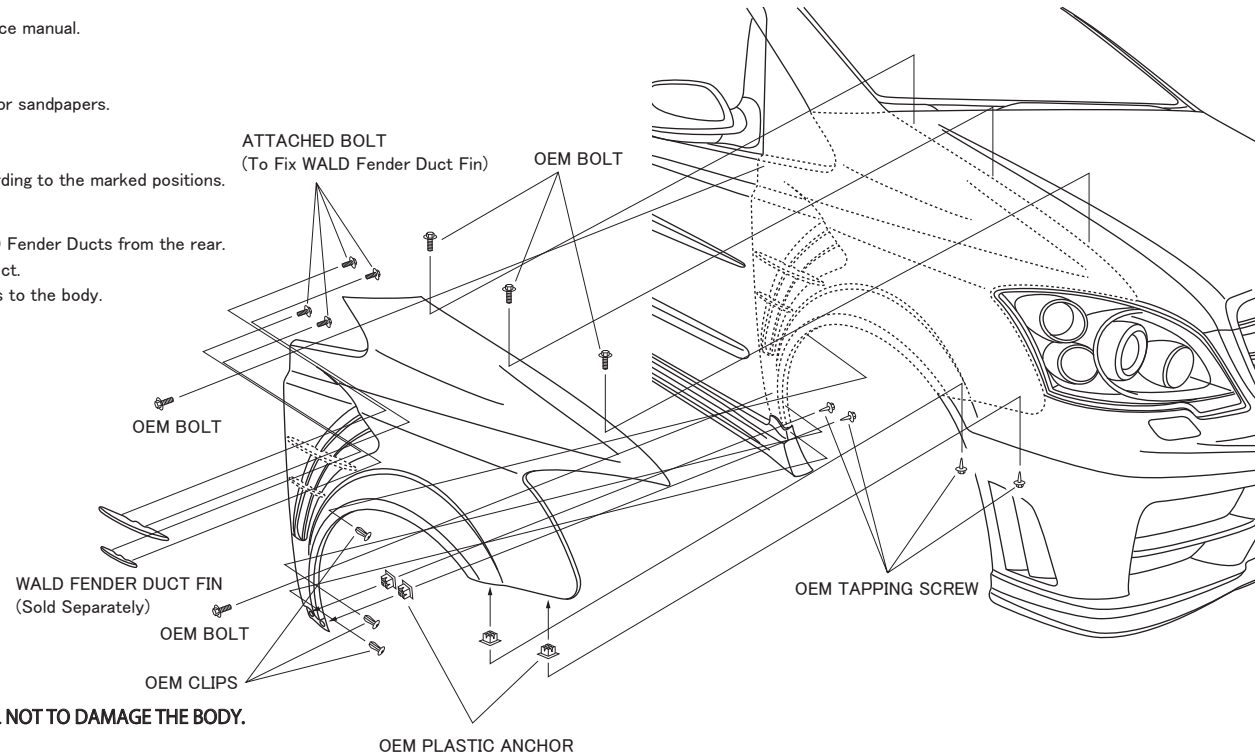
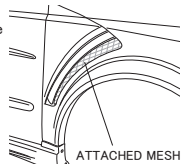
[AFTER PAINTING]

- 6) Use pins and caulking glue to install the attached meshes to WALD Fender Ducts from the rear.
- 7) Fix WALD Fender Duct Fins (Sold Separately) on WALD Fender Duct.
- 8) Temporarily fix all the bolts and clips to install WALD Fender Ducts to the body.
- 9) Check all the details of the fitment, then fix them tightly.

■ HOW TO INSTALL THE ATTACHED MESHES (STEP 6)

Use pins and caulking glue to install the attached meshes to WALD Fender Ducts from the rear.

※Paint the inside of the fender and pins in black.



ATTENTION

- ※ MORE THAN 2 TECHNICIANS ARE NECESSARY IN THIS WORK.
- DURING ALL THE INSTALLATION PROCESS, PLEASE BE CAREFUL NOT TO DAMAGE THE BODY.
- ※ REMOVE THE BATTERY BEFORE ALL THE WIRING WORKS.
- ※ ADJUST ALL THE DETAILS OF OUR PRODUCTS TO FIT ON A CAR PERFECTLY.

WALD INTERNATIONAL

Mercedes Benz v-class (W639)

WALD SPORTS LINE
BLACK BISON EDITION

INSTALLATION MANUAL
WALD
Sportliche Autoausrüstung WALD.International

THANK YOU FOR PURCHASING. THIS IS THE INSTALLATION MANUAL OF WALD ROOF SPOILER FOR MERCEDES BENZ W639 V-CLASS.
PLEASE READ THIS MANUAL CAREFULLY BEFORE THE INSTALLATION.

ATTENTION



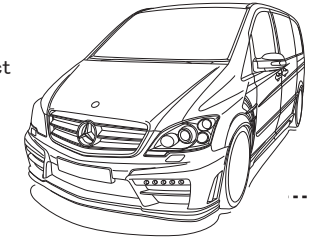
- ※ NO RETURNS CAN BE ACCEPTED BECAUSE OF IMPROPER INSTALLATION OR PAINTING.
- ※ CHECK THE FITMENT, AND ADJUST ALL THE DETAILS BEFORE PAINTING.
- We assume no responsibility for any damage resulting from improper installation, painting, modification and any cut wound in unsealing.
- Contact the car dealer when you have any question in removing OEM parts.
- During all the installation process, use parking brake and stop the engine completely.
- Use rasps or sandpapers to fit the products to the body if there is an individual difference.
- The product is made of FRP. Handle with care. Do not give the excessive force. Gradually fix the bolts and nuts by checking the fitment and balance of the installation.
- Check the fitment, and adjust all the details of the fitment steady and proper. Please check the fitment and all the details regularly, fix the bolts and nuts as necessary.
- The instruction of painting is just our recommendation, please paint it as you like.
- ※ PLEASE BE AWARE OF:
 - You may lose the warranty and all the services from the car maker, because of replacing OEM parts.
 - Reduced road clearance may cause inconvenience in using parking curbs and garage jack.
 - FRP, ABS and PPE products are slightly weaker than OEM parts in crashes.
 - The product may not match the body and OEM color perfectly.

Please purchase double sided tape, primer and caulking glue at auto accessory shop or hardware store.

Completely degrease and paint primer on all the installation positions to enhance the viscosity of double sided tape.
Use dryer to warm double sided tape to enhance the viscosity in low temperature.
Keep the car in a dry condition more than 24 hours after gluing.
Do not wash the car during this time.

	PARTS	QUANTITIES
ROOF SPOILER	ROOF SPOILER	1 SET
	LED LAMP WITH NUTS	1 SET
	RESISTOR (25W 10Ω)	1 SET

Use caulking glue to fill the gap between the product and the body.



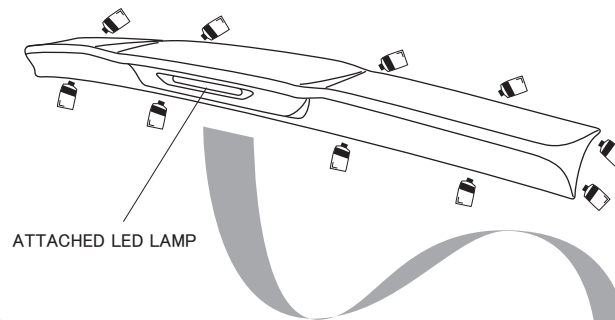
ROOF SPOILER

【BEFORE PAINTING】

- 1) Take off OEM stop lamp from the body.
- ※ Use touch up paint to make corrosion and water-proof treatment on hole.
- 2) Temporarily put WALD Roof Spoiler on the body.
- ※ Adjust the details of WALD Roof Spoiler to fit the body by rasps or sandpapers.

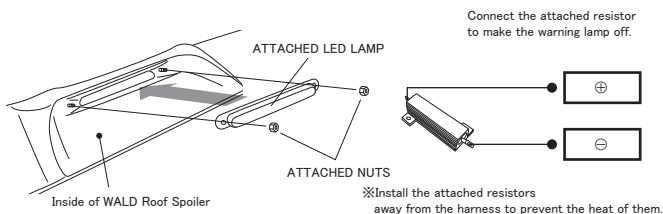
【AFTER PAINTING】

- 3) Fix the attached LED lamp to WALD Roof Spoiler and connect the harness.
- ※ Make sure the attached LED lamp is fine to work before the installation.
- 4) Use caulking glue to install WALD Roof Spoiler to the body after completely degreasing the installation position.
- 5) Check the balance of the location, then leave it till completely fixed.



ATTACHED LED LAMP

■ HOW TO INSTALL THE ATTACHED LED LAMPS (STEP 3)



ATTENTION

- ※ MORE THAN 2 TECHNICIANS ARE NECESSARY IN THIS WORK.
- DURING ALL THE INSTALLATION PROCESS, PLEASE BE CAREFUL NOT TO DAMAGE THE BODY.
- ※ ADJUST ALL THE DETAILS OF OUR PRODUCTS TO FIT ON A CAR PERFECTLY.