

# LEXUS GS F SPORT GRL10

WALD EXECUTIVE LINE

INSTALLATION MANUAL  
**WALD**  
Sportliche Autoausrüstung WALD.International

THANK YOU FOR PURCHASING. THIS IS THE INSTALLATION MANUAL OF WALD FRONT SPOILER FOR LEXUS GRL10 GS F SPORT.

## ATTENTION




- ※ NO RETURNS CAN BE ACCEPTED BECAUSE OF IMPROPER INSTALLATION OR PAINTING.
- ※ CHECK THE FITMENT, AND ADJUST ALL THE DETAILS BEFORE PAINTING.
- We assume no responsibility for any damage resulting from improper installation, painting, modification and any cut wound in unsealing.
- Contact the car dealer when you have any question in removing OEM parts.
- During all the installation process, use parking brake and stop the engine completely.
- Use rasps or sandpapers to fit the products to the body if there is an individual difference.
- The product is made of FRP. Handle with care. Do not give the excessive force.
- Gradually fix the bolts and nuts by checking the fitment and balance of the installation.
- After making a hole on the body, make the corrosion treatment on it.
- Check the fitment, and adjust all the details of the fitment steady and proper.
- Please check the fitment and all the details regularly, fix the bolts and nuts as necessary.
- The instruction of painting is just our recommendation, please paint it as you like.
- ※ PLEASE BE AWARE OF:
- You may lose the warranty and all the services from the car maker, because of replacing OEM parts.
- Reduced road clearance may cause inconvenience in using parking curbs and garage jack.
- FRP, ABS and PPE products are slightly weaker than OEM parts in crashes.
- The product may not match the body and OEM color perfectly.

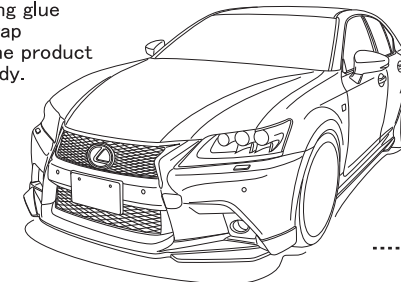
Please purchase double sided tape, primer and caulking glue at auto accessory shop or hardware store.

Completely degrease and paint primer on all the installation positions to enhance the viscosity of double sided tape.  
Use dryer to warm double sided tape to enhance the viscosity in low temperature.  
Keep the car in a dry condition more than 24 hours after gluing.  
Do not wash the car during this time.

	PARTS	QUANTITIES
FRONT SPOILER	FRONT SPOILER WITH BRACKETS	1 SET
	RUBBER TRIMS※	2

※The color of rubber trim is varied into black or grey by painted color.

 Use caulking glue to fill the gap between the product and the body.



## FRONT SPOILER

### 【BEFORE PAINTING】

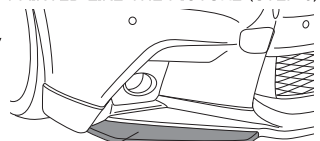
- 1) Temporarily install WALD Front Spoiler to the body.
- ※ Adjust the details of WALD Front Spoiler to fit the body by rasps or sandpapers.
- 2) Check all the details of the fitment.
- 3) Paint WALD Front Spoiler according to the picture.

### 【AFTER PAINTING】

- 4) Put the attached rubber trims on WALD Front Spoiler.
- 5) Completely degrease the installation positions of OEM front bumper, then install WALD Front Spoiler to the body by the attached double sided tape.
- ※ Fold the both ends of release paper.
- 6) Temporarily install WALD Front Spoiler to the body.
- 7) Check all the details of the fitment, then remove release paper.

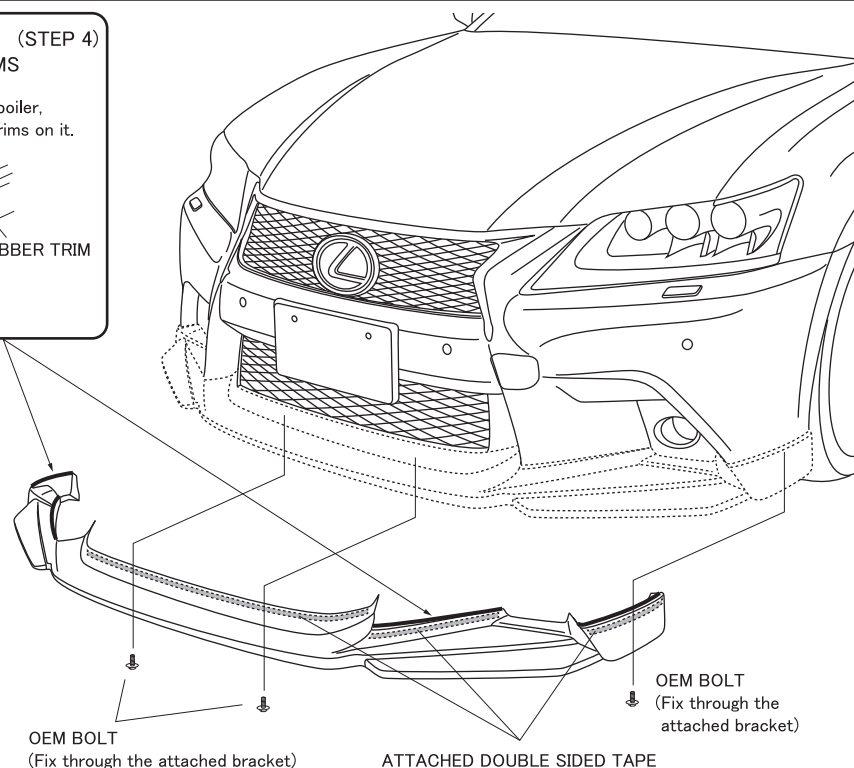
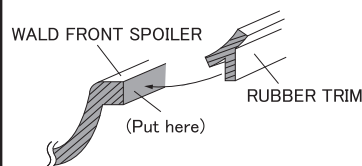
※WALD SHOWCAR IS PAINTED LIKE THE PICTURE (STEP 3)

Painted product is already like this picture.



### ■HOW TO INSTALL THE (STEP 4) ATTACHED RUBBER TRIMS

Paint primer on WALD Front Spoiler, then put the attached rubber trims on it.



## ⚠ ATTENTION

- ※MORE THAN 2 TECHNICIANS ARE NECESSARY IN THIS WORK. DURING ALL THE INSTALLATION PROCESS, PLEASE BE CAREFUL NOT TO DAMAGE THE BODY.
- ※DEGREASE ALL THE INSTALLATION POSITIONS, AND REMOVE THE BODY PROTECTION COATING BEFORE THE INSTALLATION.
- ※ADJUST THE DETAILS OF THE FITMENT IF THERE IS AN INDIVIDUAL DIFFERENCE.

WALD INTERNATIONAL

# LEXUS GS F SPORT GRL10

WALD EXECUTIVE LINE

INSTALLATION MANUAL  
**WALD**  
Sportliche Autoausrüstung WALD.International

THANK YOU FOR PURCHASING. THIS IS THE INSTALLATION MANUAL OF WALD REAR SKIRT FOR LEXUS GRL10 GS F SPORT.

## ATTENTION




- ※ NO RETURNS CAN BE ACCEPTED BECAUSE OF IMPROPER INSTALLATION OR PAINTING.
- ※ CHECK THE FITMENT, AND ADJUST ALL THE DETAILS BEFORE PAINTING.
- We assume no responsibility for any damage resulting from improper installation, painting, modification and any cut wound in unsealing.
- Contact the car dealer when you have any question in removing OEM parts.
- During all the installation process, use parking brake and stop the engine completely.
- Use rasps or sandpapers to fit the products to the body if there is an individual difference.
- The product is made of FRP. Handle with care. Do not give the excessive force.
- Gradually fix the bolts and nuts by checking the fitment and balance of the installation.
- After making a hole on the body, make the corrosion treatment on it.
- Check the fitment, and adjust all the details of the fitment steady and proper.
- Please check the fitment and all the details regularly, fix the bolts and nuts as necessary.
- The instruction of painting is just our recommendation, please paint it as you like.
- ※ PLEASE BE AWARE OF:
- You may lose the warranty and all the services from the car maker, because of replacing OEM parts.
- Reduced road clearance may cause inconvenience in using parking curbs and garage jack.
- FRP, ABS and PPE products are slightly weaker than OEM parts in crashes.
- The product may not match the body and OEM color perfectly.

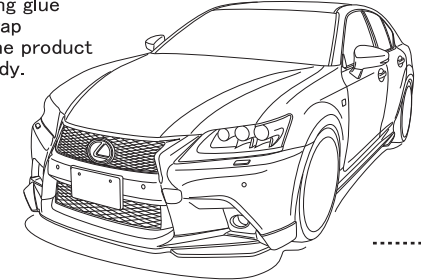
Please purchase double sided tape, primer and caulking glue at auto accessory shop or hardware store.

Completely degrease and paint primer on all the installation positions to enhance the viscosity of double sided tape.  
Use dryer to warm double sided tape to enhance the viscosity in low temperature.  
Keep the car in a dry condition more than 24 hours after gluing.  
Do not wash the car during this time.

	PARTS	QUANTITIES
REAR SKIRT	REAR SKIRT WITH BRACKETS	1 SET
	RUBBER TRIMS※	2

※The color of rubber trim is varied into black or grey by painted color.

 Use caulking glue to fill the gap between the product and the body.



## REAR SKIRT

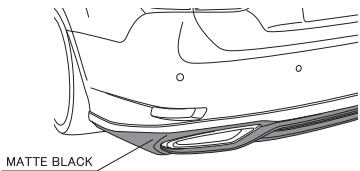
### [BEFORE PAINTING]

- 1) Remove OEM diffuser according to the Lexus manual, then temporarily install WALD Rear Skirt to the body.
- ※ Adjust the details of WALD Rear Skirt to fit the body by rasps or sandpapers.
- 2) Check all the details of the fitment.
- 3) Paint WALD Rear Skirt according to the picture.

### [AFTER PAINTING]

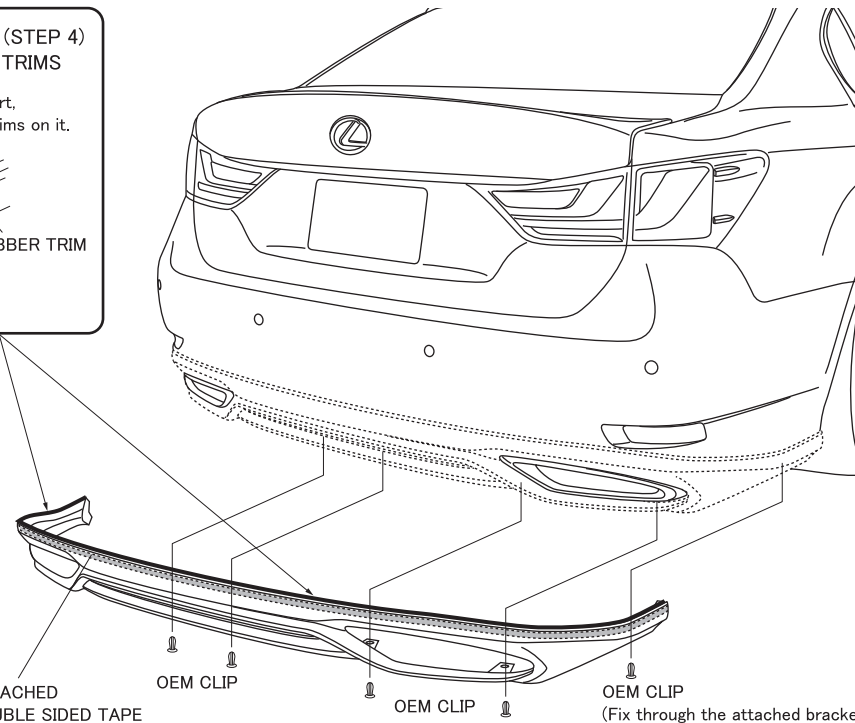
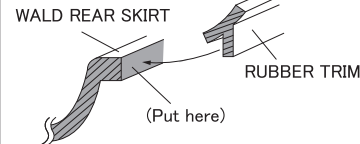
- 4) Put the attached rubber trims on WALD Rear Skirt.
- 5) Completely degrease the installation positions of OEM rear bumper, then install WALD Rear Skirt to the body by the attached double sided tape.
- ※ Fold the both ends of release paper.
- 6) Temporarily install WALD Rear Skirt to the body.
- 7) Check all the details of the fitment, then remove release paper.

※WALD SHOWCAR IS PAINTED LIKE THE PICTURE (STEP 3)



### ■ HOW TO INSTALL (STEP 4) THE ATTACHED RUBBER TRIMS

Paint primer on WALD Rear Skirt, then put the attached rubber trims on it.



## ⚠ ATTENTION

- ※MORE THAN 2 TECHNICIANS ARE NECESSARY IN THIS WORK. DURING ALL THE INSTALLATION PROCESS, PLEASE BE CAREFUL NOT TO DAMAGE THE BODY.
- ※DEGREASE ALL THE INSTALLATION POSITIONS, AND REMOVE THE BODY PROTECTION COATING BEFORE THE INSTALLATION.
- ※ADJUST THE DETAILS OF THE FITMENT IF THERE IS AN INDIVIDUAL DIFFERENCE.

WALD INTERNATIONAL

# LEXUS GS F SPORT GRL10

WALD EXECUTIVE LINE

INSTALLATION MANUAL  
**WALD**  
Sportliche Autoausrüstung WALD.International

THANK YOU FOR PURCHASING. THIS IS THE INSTALLATION MANUAL OF WALD SIDE STEPS FOR LEXUS GRL10 GS F SPORT.

## ATTENTION



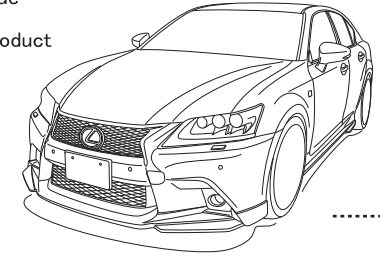
- ※ NO RETURNS CAN BE ACCEPTED BECAUSE OF IMPROPER INSTALLATION OR PAINTING.
- ※ CHECK THE FITMENT, AND ADJUST ALL THE DETAILS BEFORE PAINTING.
- We assume no responsibility for any damage resulting from improper installation, painting, modification and any cut wound in unsealing.
- Contact the car dealer when you have any question in removing OEM parts.
- During all the installation process, use parking brake and stop the engine completely.
- Use rasps or sandpapers to fit the products to the body if there is an individual difference.
- The product is made of FRP. Handle with care. Do not give the excessive force.
- Gradually fix the bolts and nuts by checking the fitment and balance of the installation.
- After making a hole on the body, make the corrosion treatment on it.
- Check the fitment, and adjust all the details of the fitment steady and proper.
- Please check the fitment and all the details regularly, fix the bolts and nuts as necessary.
- The instruction of painting is just our recommendation, please paint it as you like.
- ※ PLEASE BE AWARE OF:
- You may lose the warranty and all the services from the car maker, because of replacing OEM parts.
- Reduced road clearance may cause inconvenience in using parking curbs and garage jack.
- FRP, ABS and PPE products are slightly weaker than OEM parts in crashes.
- The product may not match the body and OEM color perfectly.

Please purchase double sided tape, primer and caulking glue at auto accessory shop or hardware store.

Completely degrease and paint primer on all the installation positions to enhance the viscosity of double sided tape.  
Use dryer to warm double sided tape to enhance the viscosity in low temperature.  
Keep the car in a dry condition more than 24 hours after gluing.  
Do not wash the car during this time.

	PARTS	QUANTITIES
SIDE STEP	SIDE STEPS WITH BRACKETS	1 SET
	RESIN GROMMETS	4
	TAPPING SCREWS (M6 x 16)	4
	TAPPING SCREWS (M4 x 16)	10

Use caulking glue to fill the gap between the product and the body.



## SIDE STEP

### [BEFORE PAINTING]

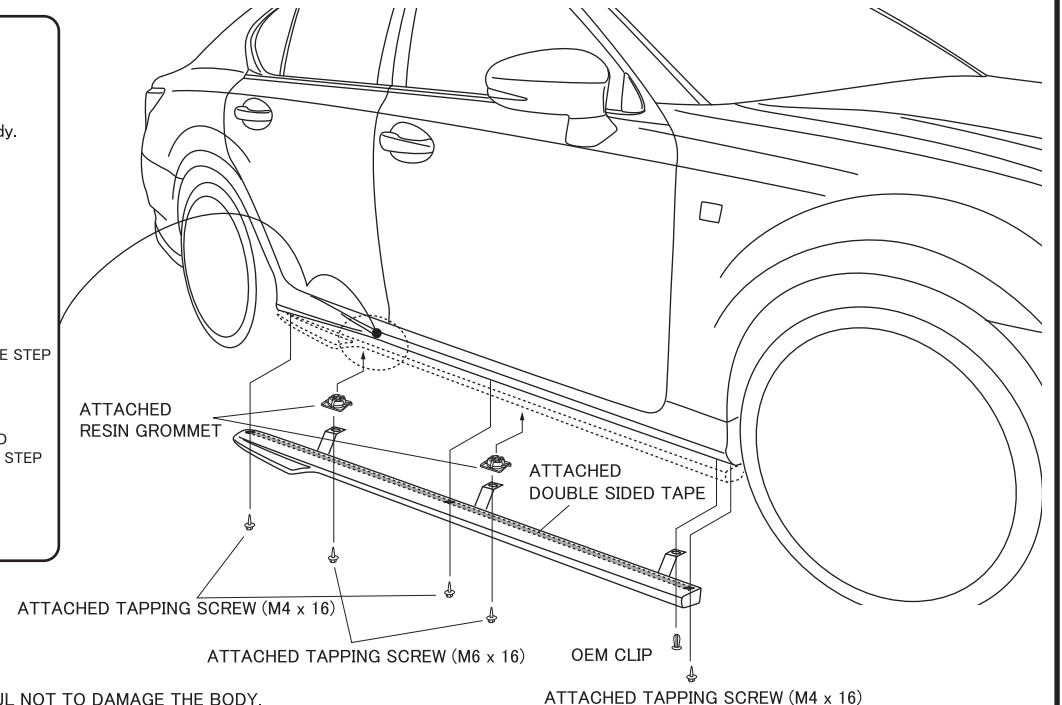
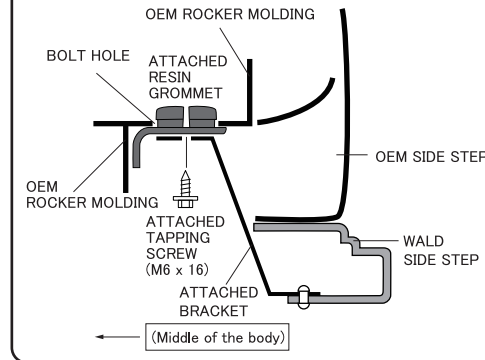
- 1) Remove OEM rocker molding caps according to the Lexus manual, then install the attached resin grommets to the body.
- 2) Temporarily install WALD Side Steps to the body.
- ※ Adjust the details of WALD Side Steps to fit the body by rasps or sandpapers.
- 3) Mark the installation positions on the body according to WALD Side Steps.
- 4) Remove WALD Side Steps, then use drill to make holes on the body.
- ※ Make corrosion treatment on the holes.
- 5) Paint WALD Side Steps.

### [AFTER PAINTING]

- 6) Completely degrease the installation positions of OEM side steps, then install WALD Side Steps to the body by the attached double sided tape.
- ※ Fold the both ends of release paper.
- 7) Temporarily fix the attached tapping screws to install WALD Side Steps to the body.
- 8) Check all the details of the fitment, then fix them and remove release paper.
- 9) Use masking tape to fix them, leave till completely fixed.

### ■ HOW TO INSTALL THE ATTACHED RESIN GROMMETS (STEP 1)

Remove OEM rocker molding caps, then install the attached resin grommets to the body.  
※ Make the attached resin grommet fingers toward to the middle of the body.



## ATTENTION

- ※ MORE THAN 2 TECHNICIANS ARE NECESSARY IN THIS WORK. DURING ALL THE INSTALLATION PROCESS, PLEASE BE CAREFUL NOT TO DAMAGE THE BODY.
- ※ DEGREASE ALL THE INSTALLATION POSITIONS, AND REMOVE THE BODY PROTECTION COATING BEFORE THE INSTALLATION.
- ※ ADJUST THE DETAILS OF THE FITMENT IF THERE IS AN INDIVIDUAL DIFFERENCE.

# LEXUS GS F SPORT GRL10

WALD EXECUTIVE LINE

INSTALLATION MANUAL  
**WALD**  
Sportliche Autoausrüstung WALD.International

THANK YOU FOR PURCHASING. THIS IS THE INSTALLATION MANUAL OF WALD TRUNK SPOILER AND ROOF SPOILER FOR LEXUS GRL10 GS F SPORT.

## ATTENTION



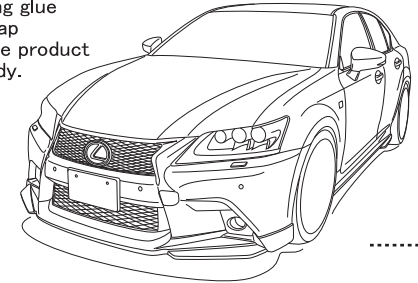
- ※ NO RETURNS CAN BE ACCEPTED BECAUSE OF IMPROPER INSTALLATION OR PAINTING.
- ※ CHECK THE FITMENT, AND ADJUST ALL THE DETAILS BEFORE PAINTING.
- We assume no responsibility for any damage resulting from improper installation, painting, modification and any cut wound in unsealing.
- Contact the car dealer when you have any question in removing OEM parts.
- During all the installation process, use parking brake and stop the engine completely.
- Use rasps or sandpapers to fit the products to the body if there is an individual difference.
- The product is made of FRP. Handle with care. Do not give the excessive force.
- Gradually fix the bolts and nuts by checking the fitment and balance of the installation.
- After making a hole on the body, make the corrosion treatment on it.
- Check the fitment, and adjust all the details of the fitment steady and proper.
- Please check the fitment and all the details regularly, fix the bolts and nuts as necessary.
- The instruction of painting is just our recommendation, please paint it as you like.
- ※ PLEASE BE AWARE OF:
  - You may lose the warranty and all the services from the car maker, because of replacing OEM parts.
  - Reduced road clearance may cause inconvenience in using parking curbs and garage jack.
  - FRP, ABS and PPE products are slightly weaker than OEM parts in crashes.
  - The product may not match the body and OEM color perfectly.

Please purchase double sided tape, primer and caulking glue at auto accessory shop or hardware store.

Completely degrease and paint primer on all the installation positions to enhance the viscosity of double sided tape.  
Use dryer to warm double sided tape to enhance the viscosity in low temperature.  
Keep the car in a dry condition more than 24 hours after gluing.  
Do not wash the car during this time.

	PARTS	QUANTITIES
TRUNK SPOILER	TRUNK SPOILER	1
ROOF SPOILER	ROOF SPOILER	1

Use caulking glue to fill the gap between the product and the body.



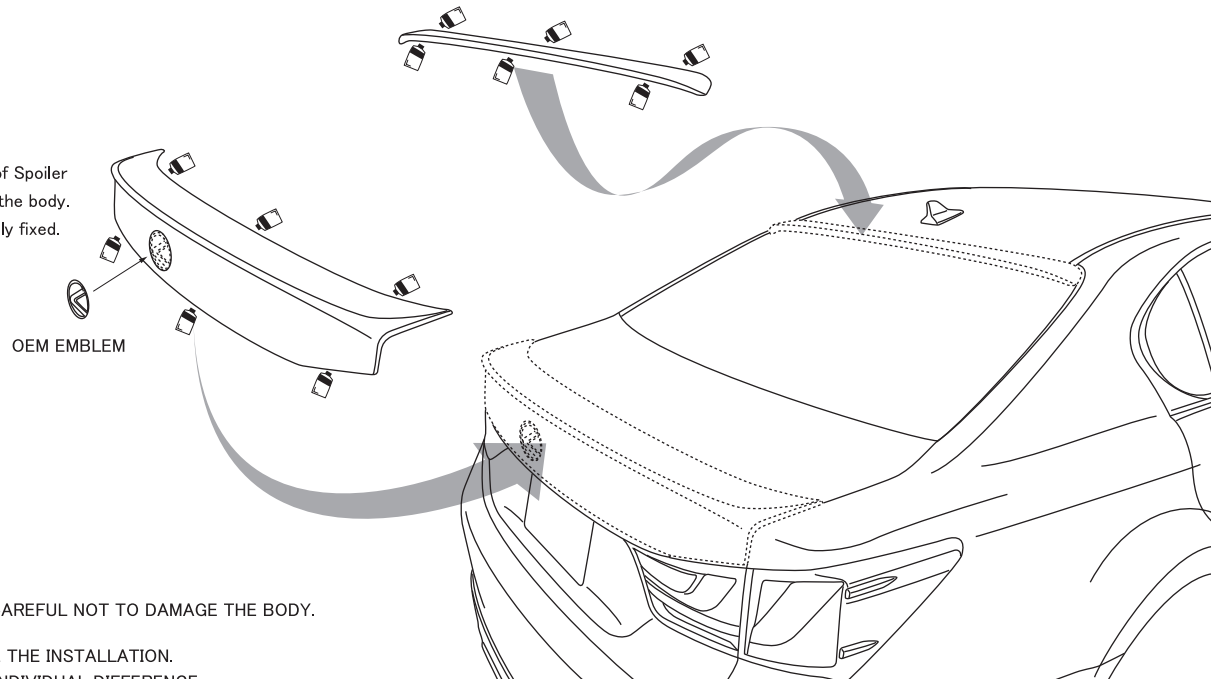
## TRUNK SPOILER & ROOF SPOILER

### 【BEFORE PAINTING】

- 1) Temporarily install WALD Roof Spoiler and Trunk Spoiler to the body, then use masking tape to mark the installation positions.
- 2) Paint them.

### 【AFTER PAINTING】

- 3) Completely degrease the installation position on WALD Trunk Spoiler to install OEM emblem.
- 4) Relocate OEM emblem to WALD Trunk Spoiler.
- 5) Completely degrease the installation positions of WALD Roof Spoiler and Trunk Spoiler, then use caulking glue to install them to the body.
- 6) Check all the details of the fitment, leave them till completely fixed.



## ATTENTION

- ※DURING ALL THE INSTALLATION PROCESS, PLEASE BE CAREFUL NOT TO DAMAGE THE BODY.
- ※DEGREASE ALL THE INSTALLATION POSITIONS, AND REMOVE THE BODY PROTECTION COATING BEFORE THE INSTALLATION.
- ※ADJUST THE DETAILS OF THE FITMENT IF THERE IS AN INDIVIDUAL DIFFERENCE.

WALD INTERNATIONAL