

NISSAN FUGA Y51

WALD SPORTS LINE
BLACK BISON EDITION

INSTALLATION MANUAL
WALD
Sportliche Autoausrüstung WALD.International

THANK YOU FOR PURCHASING. THIS IS THE INSTALLATION MANUAL OF WALD FRONT BUMPER FOR NISSAN Y51 FUGA.

ATTENTION



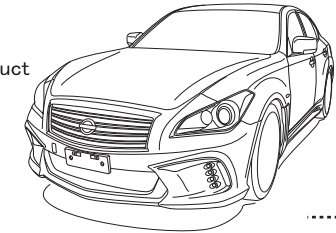
- ※ NO RETURNS CAN BE ACCEPTED BECAUSE OF IMPROPER INSTALLATION OR PAINTING.
- ※ CHECK THE FITMENT, AND ADJUST ALL THE DETAILS BEFORE PAINTING.
- We assume no responsibility for any damage resulting from improper installation, painting, modification and any cut wound in unsealing.
- Contact the car dealer when you have any question in removing OEM parts.
- During all the installation process, use parking brake and stop the engine completely.
- Use rasps or sandpapers to fit the products to the body if there is an individual difference.
- The product is made of FRP. Handle with care. Do not give the excessive force.
- Gradually fix the bolts and nuts by checking the fitment and balance of the installation.
- After making a hole on the body, make the corrosion treatment on it.
- Check the fitment, and adjust all the details of the fitment steady and proper.
- Please check the fitment and all the details regularly, fix the bolts and nuts as necessary.
- The instruction of painting is just our recommendation, please paint it as you like.
- ※ PLEASE BE AWARE OF:
- You may lose the warranty and all the services from the car maker, because of replacing OEM parts.
- Reduced road clearance may cause inconvenience in using parking curbs and garage jack.
- FRP, ABS and PPE products are slightly weaker than OEM parts in crashes.
- The product may not match the body and OEM color perfectly.

Please purchase double sided tape, primer and caulking glue at auto accessory shop or hardware store.

Completely degrease and paint primer on all the installation positions to enhance the viscosity of double sided tape.
Use dryer to warm double sided tape to enhance the viscosity in low temperature.
Keep the car in a dry condition more than 24 hours after gluing.
Do not wash the car during this time.

	PARTS	QUANTITIES
FRONT BUMPER	FRONT BUMPER	1
	MESHES	1 SET
	LED LAMPS	1 SET
	BRACKETS (U-SHAPED)	6
	BOLTS (M6 x 15) & NUTS	8

Use caulking glue to fill the gap between the product and the body.



FRONT BUMPER

【BEFORE PAINTING】

- 1) Remove OEM front bumper according to the Nissan service manual.
 - 2) Install the attached brackets to OEM undercover.
 - 3) Relocate OEM tow hook cover, license plate bracket, grille, rubber trim and brackets to WALD Front Bumper, then temporarily install it to the body.
- ※ Adjust the protruding of washer tank to fit the right side of WALD Front Bumper.
 - ※ Adjust the details of WALD Front Bumper to fit the body by rasps or sandpapers.
- 4) Paint WALD Front Bumper according to the picture.

【AFTER PAINTING】

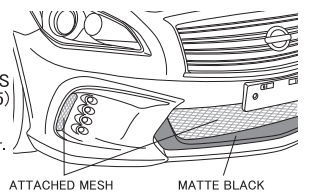
- 5) Use pins and caulking glue to install the attached meshes to WALD Front Bumper from the rear.
 - 6) Install the attached LED lamps to WALD Front Bumper.
- ※ Make sure the attached LED lamps are fine to work before the installation.
- 7) Temporarily fix all the clips, tapping screws, brackets, bolts and nuts to install WALD Front Bumper to the body.
 - 8) Check all the details of the fitment, then fix them.

Do not unplug the coupler of sensors to keep them work.

※WALD SHOWCAR IS PAINTED LIKE THE PICTURE (STEP 4)

■HOW TO INSTALL THE ATTACHED MESHES (STEP 5)

Use pins and caulking glue to install the attached meshes to WALD Front Bumper from the rear.
※Paint the pins and inner side in black.

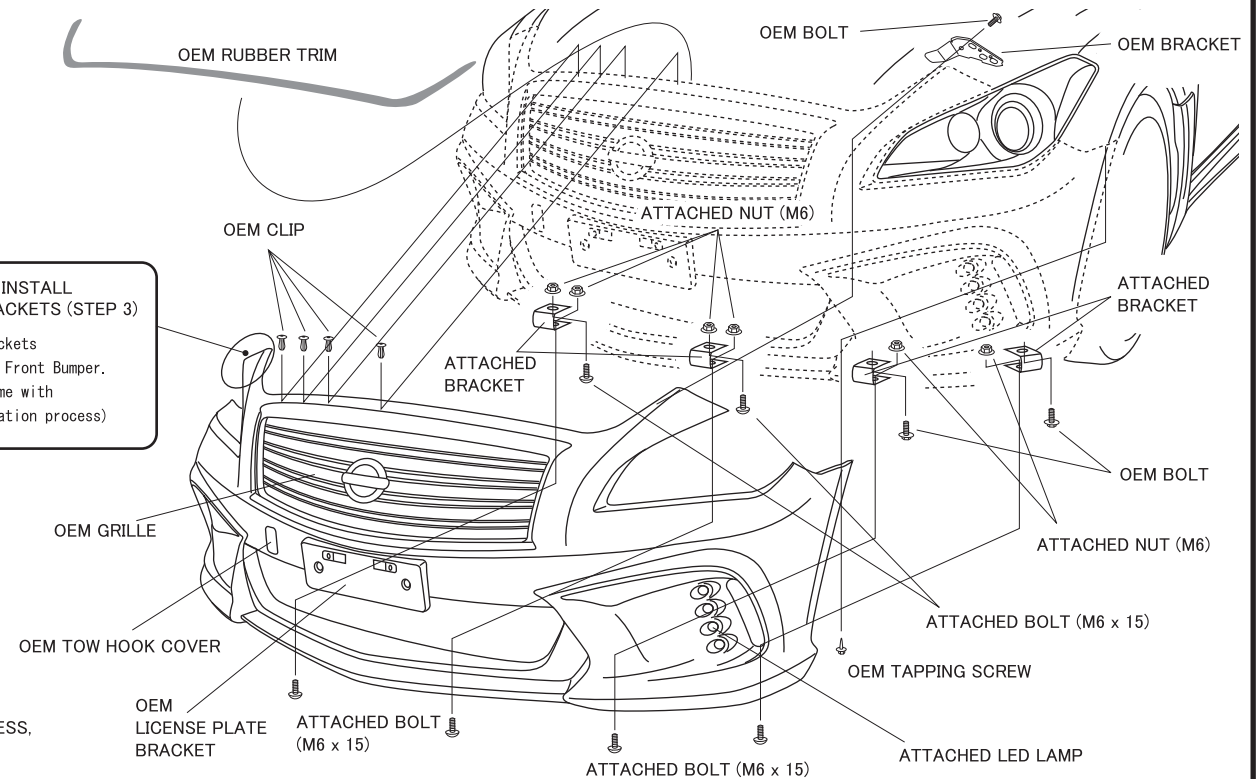


ATTENTION

- ※MORE THAN 2 TECHNICIANS ARE NECESSARY IN THIS WORK. DURING ALL THE INSTALLATION PROCESS, PLEASE BE CAREFUL NOT TO DAMAGE THE BODY.
- ※ADJUST THE DETAILS OF THE FITMENT IF THERE IS AN INDIVIDUAL DIFFERENCE.

■HOW TO INSTALL OEM BRACKETS (STEP 3)

Use OEM brackets to fix WALD Front Bumper. (Exactly same with OEM installation process)



NISSAN FUGA Y51

WALD SPORTS LINE
BLACK BISON EDITION

INSTALLATION MANUAL
WALD
Sportliche Autoausrüstung WALD.International

THANK YOU FOR PURCHASING. THIS IS THE INSTALLATION MANUAL OF WALD SIDE STEPS FOR NISSAN Y51 FUGA.

ATTENTION



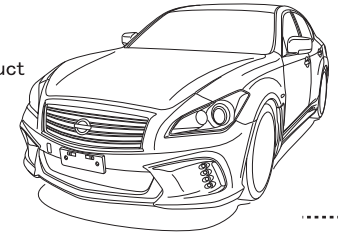
- ※ NO RETURNS CAN BE ACCEPTED BECAUSE OF IMPROPER INSTALLATION OR PAINTING.
- ※ CHECK THE FITMENT, AND ADJUST ALL THE DETAILS BEFORE PAINTING.
- We assume no responsibility for any damage resulting from improper installation, painting, modification and any cut wound in unsealing.
- Contact the car dealer when you have any question in removing OEM parts.
- During all the installation process, use parking brake and stop the engine completely.
- Use rasps or sandpapers to fit the products to the body if there is an individual difference.
- The product is made of FRP. Handle with care. Do not give the excessive force.
- Gradually fix the bolts and nuts by checking the fitment and balance of the installation.
- After making a hole on the body, make the corrosion treatment on it.
- Check the fitment, and adjust all the details of the fitment steady and proper.
- Please check the fitment and all the details regularly, fix the bolts and nuts as necessary.
- The instruction of painting is just our recommendation, please paint it as you like.
- ※ PLEASE BE AWARE OF:
- You may lose the warranty and all the services from the car maker, because of replacing OEM parts.
- Reduced road clearance may cause inconvenience in using parking curbs and garage jack.
- FRP, ABS and PPE products are slightly weaker than OEM parts in crashes.
- The product may not match the body and OEM color perfectly.

Please purchase double sided tape, primer and caulking glue at auto accessory shop or hardware store.

Completely degrease and paint primer on all the installation positions to enhance the viscosity of double sided tape.
Use dryer to warm double sided tape to enhance the viscosity in low temperature.
Keep the car in a dry condition more than 24 hours after gluing.
Do not wash the car during this time.

	PARTS	QUANTITIES
SIDE STEP	SIDE STEPS	1 SET
	TAPPING SCREWS (M4 x 12)	4

Use caulking glue to fill the gap between the product and the body.



SIDE STEP

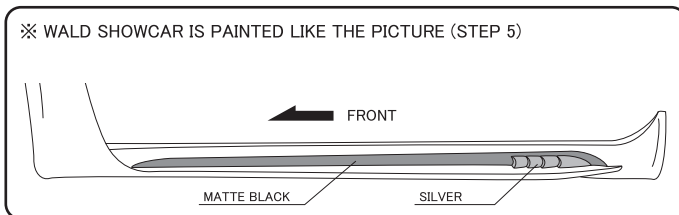
【BEFORE PAINTING】

- 1) Remove OEM side steps according to the Nissan service manual.
- 2) Relocate OEM plastic anchors to WALD Side Steps, then install them to the body.
- ※ Adjust the details of WALD Side Steps to fit the body by rasps or sandpapers.
- 3) Mark the installation positions on the body according to WALD Side Steps.
- 4) Use drill to make holes on the body according to the marked positions.
- ※ Make corrosion treatment on the holes.
- 5) Paint WALD Side Steps according to the picture.

【AFTER PAINTING】

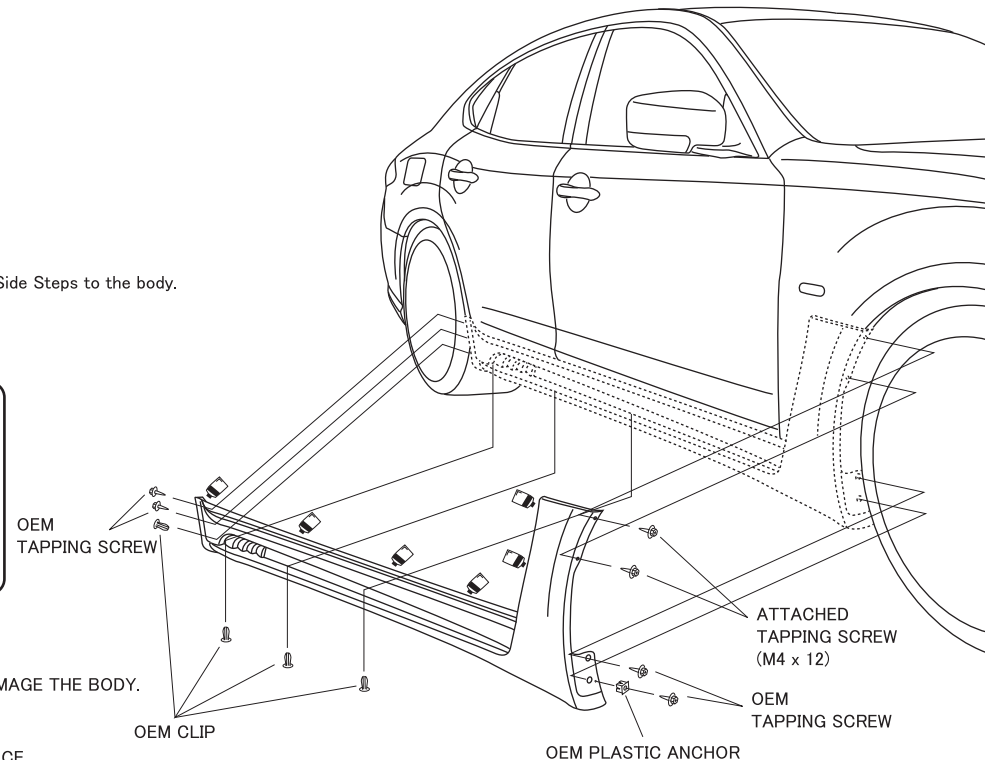
- 6) Completely degrease the installation positions of WALD Side Steps.
- 7) Temporarily fix all the tapping screws, clips and use caulking glue to install WALD Side Steps to the body.
- 8) Check all the details of the fitment, then fix them.
- 9) Use masking tape to fix WALD Side Steps, leave them till completely fixed.

※ WALD SHOWCAR IS PAINTED LIKE THE PICTURE (STEP 5)



ATTENTION

- ※ MORE THAN 2 TECHNICIANS ARE NECESSARY IN THIS WORK.
- DURING ALL THE INSTALLATION PROCESS, PLEASE BE CAREFUL NOT TO DAMAGE THE BODY.
- ※ DEGREASE ALL THE INSTALLATION POSITIONS, AND REMOVE THE BODY PROTECTION COATING BEFORE THE INSTALLATION.
- ※ ADJUST THE DETAILS OF THE FITMENT IF THERE IS AN INDIVIDUAL DIFFERENCE.



WALD INTERNATIONAL

NISSAN FUGA Y51

WALD SPORTS LINE
BLACK BISON EDITION

INSTALLATION MANUAL
WALD
Sportliche Autoausrüstung WALD.International

THANK YOU FOR PURCHASING. THIS IS THE INSTALLATION MANUAL OF WALD REAR BUMPER FOR NISSAN Y51 FUGA.

ATTENTION



- ※ NO RETURNS CAN BE ACCEPTED BECAUSE OF IMPROPER INSTALLATION OR PAINTING.
- ※ CHECK THE FITMENT, AND ADJUST ALL THE DETAILS BEFORE PAINTING.
- We assume no responsibility for any damage resulting from improper installation, painting, modification and any cut wound in unsealing.
- Contact the car dealer when you have any question in removing OEM parts.
- During all the installation process, use parking brake and stop the engine completely.
- Use rasps or sandpapers to fit the products to the body if there is an individual difference.
- The product is made of FRP. Handle with care. Do not give the excessive force.
- Gradually fix the bolts and nuts by checking the fitment and balance of the installation.
- After making a hole on the body, make the corrosion treatment on it.
- Check the fitment, and adjust all the details of the fitment steady and proper.
- Please check the fitment and all the details regularly, fix the bolts and nuts as necessary.
- The instruction of painting is just our recommendation, please paint it as you like.
- ※ PLEASE BE AWARE OF:
- You may lose the warranty and all the services from the car maker, because of replacing OEM parts.
- Reduced road clearance may cause inconvenience in using parking curbs and garage jack.
- FRP, ABS and PPE products are slightly weaker than OEM parts in crashes.
- The product may not match the body and OEM color perfectly.

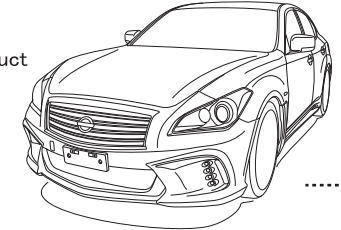
Please purchase double sided tape, primer and caulking glue at auto accessory shop or hardware store.

Completely degrease and paint primer on all the installation positions to enhance the viscosity of double sided tape.

Use dryer to warm double sided tape to enhance the viscosity in low temperature.
Keep the car in a dry condition more than 24 hours after gluing.
Do not wash the car during this time.

	PARTS	QUANTITIES
REAR BUMPER	REAR BUMPER	1
	MESHES	1 SET
	LED LAMP	1
	NUTS	2
	BRACKETS (U-SHAPED,Z-SHAPED)	4
	BOLTS (M6 x 15) & NUTS	6 SETS

Use caulking glue to fill the gap between the product and the body.



REAR BUMPER

【BEFORE PAINTING】

- 1) Remove OEM rear bumper according to the Nissan service manual.
- 2) Install the attached brackets and temporarily install WALD Rear Bumper to the body.
- ※ Adjust the details of WALD Rear Bumper to fit the body by rasps or sandpapers.
- 3) Prepare to connect the LED lamp.
- 4) Paint WALD Rear Bumper according to the picture.

【AFTER PAINTING】

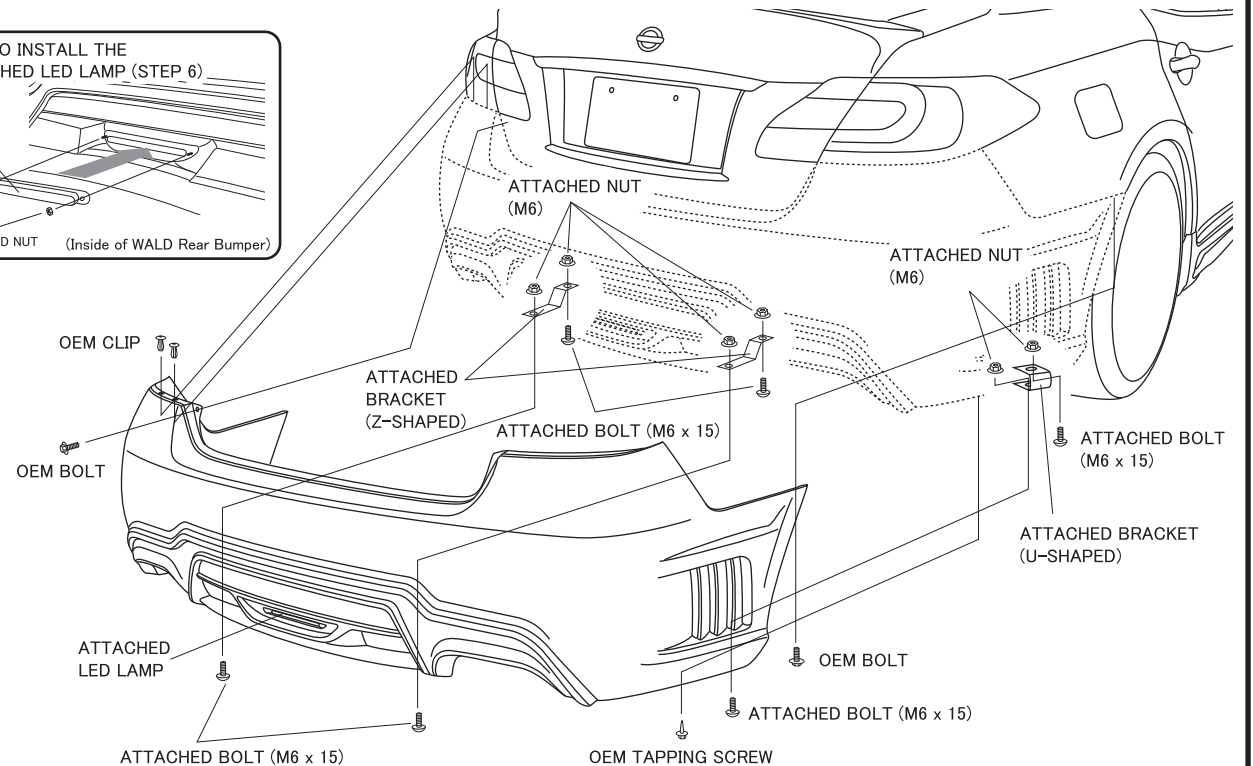
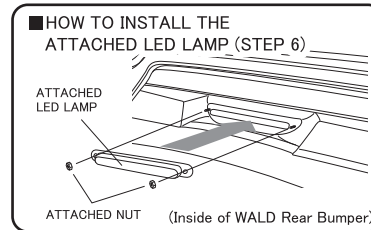
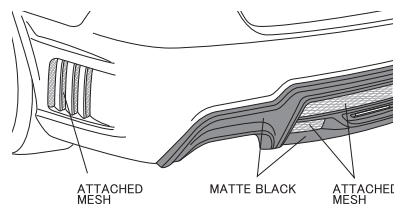
- 5) Use pins and caulking glue to install the attached meshes to WALD Rear Bumper from the rear.
- 6) Install the attached LED lamp to WALD Rear Bumper.
- ※ Make sure the attached LED lamp are fine to work before the installation.
- 7) Temporarily fix all the brackets, tapping screws, clips, bolts and nuts to install WALD Rear Bumper to the body.
- 8) Check all the details of the fitment, then fix them.

Do not unplug the coupler of sensors to keep them work.

※WALD SHOWCAR IS PAINTED LIKE THE PICTURE (STEP 4)

■HOW TO INSTALL THE ATTACHED MESHES (STEP 5)

Use pins and caulking glue to install the attached meshes to WALD Rear Bumper from the rear.
※Paint the pins and inner side in black.



ATTENTION

- ※MORE THAN 2 TECHNICIANS ARE NECESSARY IN THIS WORK.
- DURING ALL THE INSTALLATION PROCESS, PLEASE BE CAREFUL NOT TO DAMAGE THE BODY.
- ※REMOVE THE BATTERY BEFORE ALL THE WIRING WORKS.
- ※ADJUST THE DETAILS OF THE FITMENT IF THERE IS AN INDIVIDUAL DIFFERENCE.

NISSAN FUGA Y51

WALD SPORTS LINE
BLACK BISON EDITION

INSTALLATION MANUAL
WALD
Sportliche Autoausrüstung WALD.International

THANK YOU FOR PURCHASING. THIS IS THE INSTALLATION MANUAL OF WALD TRUNK SPOILER AND ROOF SPOILER FOR NISSAN Y51 FUGA.

ATTENTION



- ※ NO RETURNS CAN BE ACCEPTED BECAUSE OF IMPROPER INSTALLATION OR PAINTING.
- ※ CHECK THE FITMENT, AND ADJUST ALL THE DETAILS BEFORE PAINTING.
- We assume no responsibility for any damage resulting from improper installation, painting, modification and any cut wound in unsealing.
- Contact the car dealer when you have any question in removing OEM parts.
- During all the installation process, use parking brake and stop the engine completely.
- Use rasps or sandpapers to fit the products to the body if there is an individual difference.
- The product is made of FRP. Handle with care. Do not give the excessive force.
- Gradually fix the bolts and nuts by checking the fitment and balance of the installation.
- After making a hole on the body, make the corrosion treatment on it.
- Check the fitment, and adjust all the details of the fitment steady and proper.
- Please check the fitment and all the details regularly, fix the bolts and nuts as necessary.
- The instruction of painting is just our recommendation, please paint it as you like.
- ※ PLEASE BE AWARE OF:
 - You may lose the warranty and all the services from the car maker, because of replacing OEM parts.
 - Reduced road clearance may cause inconvenience in using parking curbs and garage jack.
 - FRP, ABS and PPE products are slightly weaker than OEM parts in crashes.
 - The product may not match the body and OEM color perfectly.

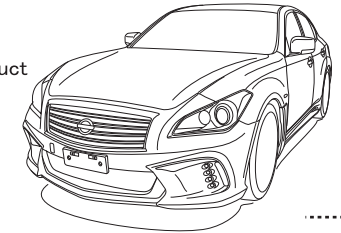
Please purchase double sided tape, primer and caulking glue at auto accessory shop or hardware store.

Completely degrease and paint primer on all the installation positions to enhance the viscosity of double sided tape.
Use dryer to warm double sided tape to enhance the viscosity in low temperature.
Keep the car in a dry condition more than 24 hours after gluing.
Do not wash the car during this time.

	PARTS	QUANTITIES
TRUNK SPOILER	TRUNK SPOILER	1
ROOF SPOILER	ROOF SPOILER	1



Use caulking glue to fill the gap between the product and the body.



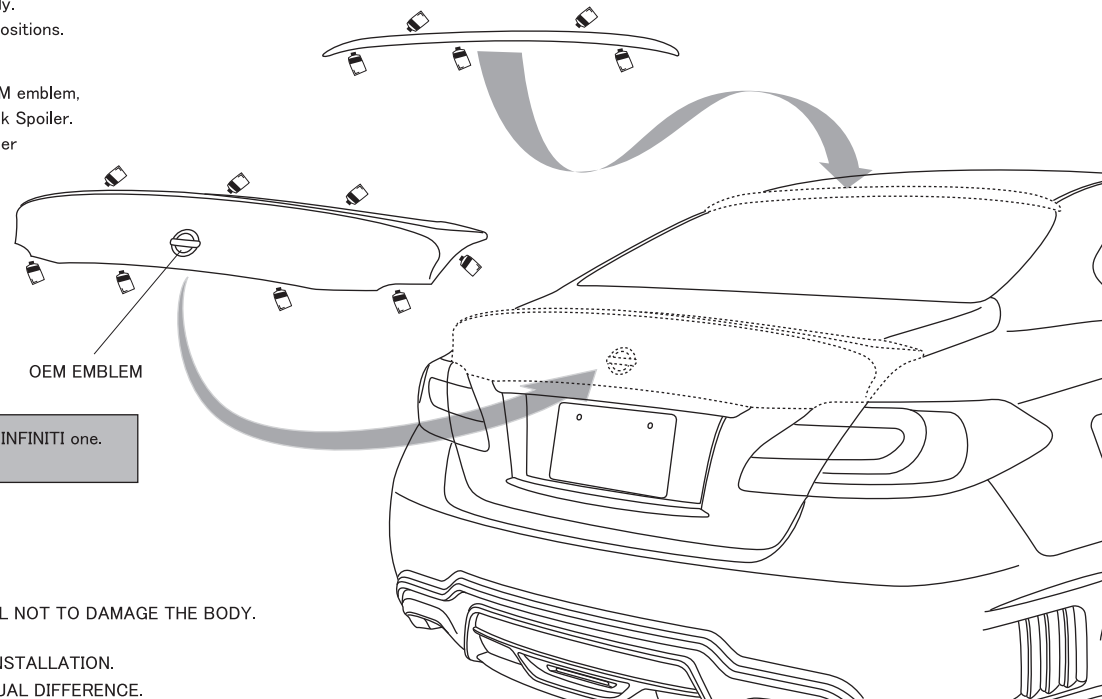
TRUNK SPOILER & ROOF SPOILER

[BEFORE PAINTING]

- 1) Remove OEM emblem from the body.
- 2) Temporarily install WALD Trunk Spoiler and Roof Spoiler to the body.
- 3) Check the fitment, then use masking tape to mark the installation positions.

[AFTER PAINTING]

- 4) Degrease the installation position on WALD Trunk Spoiler to fix OEM emblem, then use double sided tape to relocate OEM emblem to WALD Trunk Spoiler.
- 5) Completely degrease the installation positions of WALD Trunk Spoiler and Roof Spoiler, then use caulking glue to install them to the body according to the marked positions.
- 6) Check all the details of the fitment, then use masking tape to fix them.
- 7) Leave them till completely fixed.



The installation place of an emblem is available for both NISSAN and INFINITI one.
Please see the proper location for an emblem before installing.

ATTENTION

- ※DURING ALL THE INSTALLATION PROCESS, PLEASE BE CAREFUL NOT TO DAMAGE THE BODY.
- ※DEGREASE ALL THE INSTALLATION POSITIONS, AND REMOVE THE BODY PROTECTION COATING BEFORE THE INSTALLATION.
- ※ADJUST THE DETAILS OF THE FITMENT IF THERE IS AN INDIVIDUAL DIFFERENCE.

WALD INTERNATIONAL

NISSAN FUGA Y51

WALD SPORTS LINE
BLACK BISON EDITION

INSTALLATION MANUAL
WALD
Sportliche Autoausrüstung WALD.International

THANK YOU FOR PURCHASING. THIS IS THE INSTALLATION MANUAL OF LED LAMPS OF WALD FRONT BUMPER FOR NISSAN Y51 FUGA.

ATTENTION



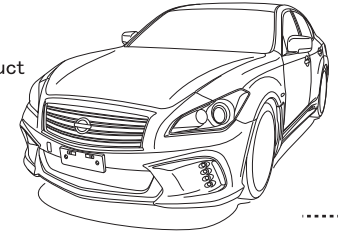
- ※ NO RETURNS CAN BE ACCEPTED BECAUSE OF IMPROPER INSTALLATION OR PAINTING.
- ※ CHECK THE FITMENT, AND ADJUST ALL THE DETAILS BEFORE PAINTING.
- We assume no responsibility for any damage resulting from improper installation, painting, modification and any cut wound in unsealing.
- Contact the car dealer when you have any question in removing OEM parts.
- During all the installation process, use parking brake and stop the engine completely.
- Use rasps or sandpapers to fit the products to the body if there is an individual difference.
- The product is made of FRP. Handle with care. Do not give the excessive force.
- Gradually fix the bolts and nuts by checking the fitment and balance of the installation.
- After making a hole on the body, make the corrosion treatment on it.
- Check the fitment, and adjust all the details of the fitment steady and proper.
- Please check the fitment and all the details regularly, fix the bolts and nuts as necessary.
- The instruction of painting is just our recommendation, please paint it as you like.
- ※ PLEASE BE AWARE OF:
- You may lose the warranty and all the services from the car maker, because of replacing OEM parts.
- Reduced road clearance may cause inconvenience in using parking curbs and garage jack.
- FRP, ABS and PPE products are slightly weaker than OEM parts in crashes.
- The product may not match the body and OEM color perfectly.

Please purchase double sided tape, primer and caulking glue at auto accessory shop or hardware store.

Completely degrease and paint primer on all the installation positions to enhance the viscosity of double sided tape.
Use dryer to warm double sided tape to enhance the viscosity in low temperature.
Keep the car in a dry condition more than 24 hours after gluing.
Do not wash the car during this time.

	PARTS	QUANTITIES
LED LAMP	LED LAMPS	1 SET

Use caulking glue to fill the gap between the product and the body.



LED LAMP

【BEFORE PAINTING】

- 1) Temporarily install the LED lamps to WALD Front Bumper from the rear.
- ※ Adjust the details of WALD Front Bumper to fit LED lamps by rasps or sandpapers.
- 2) Prepare to connect the LED lamp harness.
- ※ Insulate any spare harness.

【AFTER PAINTING】

- 3) Completely degrease the installation positions on WALD Front Bumper, then install the LED lamps.
- 4) Check all the details of the fitment, then use caulking glue to fix the LED lamps.
- 5) Use masking tape to fix the LED lamps, leave them till completely fixed.
- 6) Connect the LED lamp harness, then install WALD Front Bumper to the body.

■ HOW TO INSTALL THE LED LAMPS (STEP 4, 5)



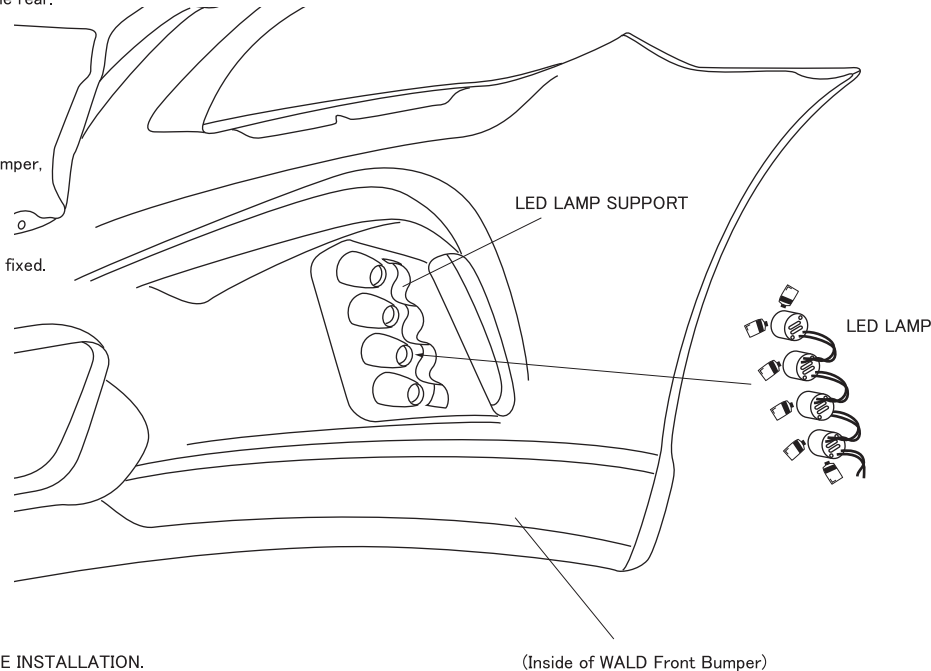
(Face of the lens)

Fix the LED lamps according to the picture.

※Use heat resistant caulking glue to fix the LED lamps.

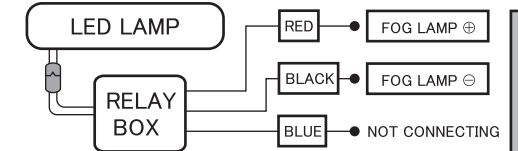
ATTENTION

- ※DEGREASE ALL THE INSTALLATION POSITIONS, AND REMOVE THE BODY PROTECTION COATING BEFORE THE INSTALLATION.
- ※REMOVE THE BATTERY BEFORE ALL THE WIRING WORKS.
- ※MAKE SURE THE LED LAMPS ARE FINE TO WORK BEFORE THE INSTALLATION.

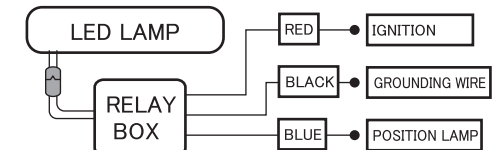


= WIRING DIAGRAM =

[AS FOG LAMP]



[AS DAYLIGHT]



※Insulate OEM fog lamp harness.

■ Please purchase relay harness with remote controller kit to turn on the daylights or fog lamps separately.

CAR SIDE