

# ROLLS-ROYCE Phantom

WALD SPORTS LINE  
BLACK BISON EDITION

INSTALLATION MANUAL  
**WALD**  
Sportliche Autoausrüstung WALD.International

THANK YOU FOR PURCHASING. THIS IS THE INSTALLATION MANUAL OF WALD FRONT BUMPER FOR ROLLS-ROYCE PHANTOM.  
PLEASE READ THIS MANUAL CAREFULLY BEFORE THE INSTALLATION.

## ATTENTION



- ※ NO RETURNS CAN BE ACCEPTED BECAUSE OF IMPROPER INSTALLATION OR PAINTING.
- ※ CHECK THE FITMENT, AND ADJUST ALL THE DETAILS BEFORE PAINTING.
- We assume no responsibility for any damage resulting from improper installation, painting, modification and any cut wound in unsealing.
- Contact the car dealer when you have any question in removing OEM parts.
- During all the installation process, use parking brake and stop the engine completely.
- Use rasps or sandpapers to fit the products to the body if there is an individual difference.
- The product is made of FRP. Handle with care. Do not give the excessive force.
- Gradually fix the bolts and nuts by checking the fitment and balance of the installation.
- Check the fitment, and adjust all the details of the fitment steady and proper.
- Please check the fitment and all the details regularly, fix the bolts and nuts as necessary.
- The instruction of painting is just our recommendation, please paint it as you like.
- ※ PLEASE BE AWARE OF:
  - You may lose the warranty and all the services from the car maker, because of replacing OEM parts.
  - Reduced road clearance may cause inconvenience in using parking curbs and garage jack.
  - FRP, ABS and PPE products are slightly weaker than OEM parts in crashes.
  - The product may not match the body and OEM color perfectly.

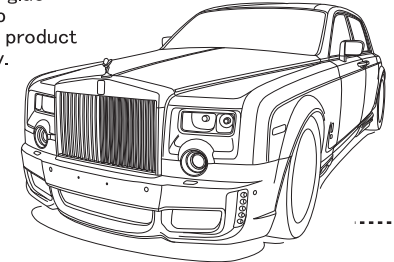
Please purchase double sided tape, primer and caulking glue at auto accessory shop or hardware store.

Completely degrease and paint primer on all the installation positions to enhance the viscosity of double sided tape.  
Use dryer to warm double sided tape to enhance the viscosity in low temperature.  
Keep the car in a dry condition more than 24 hours after gluing.  
Do not wash the car during this time.

	PARTS	QUANTITIES
FRONT BUMPER	FRONT BUMPER	1
	STAINLESS MESHES	1 SET
	ALUMINIUM MESHES	1 SET
	LED LAMP KIT	1 SET



Use caulking glue to fill the gap between the product and the body.



## FRONT BUMPER

### 【BEFORE PAINTING】

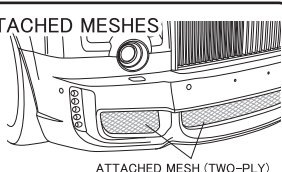
- 1) Remove OEM front bumper according to the Rolls-Royce service manual.
- 2) Process OEM reinforcement, intake ducts and under cover according to the picture to install WALD Front Bumper.
- 3) Temporarily install WALD Front Bumper to the body.
- ※ Adjust the details of WALD Front Bumper to fit the body by rasps or sandpapers.

### 【AFTER PAINTING】

- 4) Install PTS and the attached LED lamp kit to WALD Front Bumper.
- ※ Make sure the attached LED lamp kit is fine to work before the installation.
- 5) Use caulking glue to install the attached meshes to WALD Front Bumper from the rear.
- 6) Temporarily tighten OEM tapping screws to install WALD Front Bumper to the body.
- 7) Check all the details of the fitment, then fix OEM tapping screws.
- 8) Relocate OEM chrome plated rings, chrome plated molding and headlight washer covers to WALD Front Bumper.
- ※ Adjust the details of WALD Front Bumper to fit those OEM parts by rasps or sandpapers.

### ■ LOCATION OF THE ATTACHED MESHES

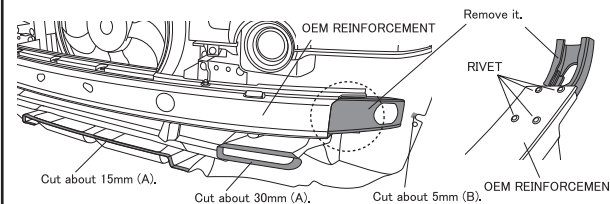
Use pins and caulking glue to install the attached meshes to WALD Front Bumper along the shape of the ducts from the rear.



### ■ HOW TO PROCESS OEM REINFORCEMENT (STEP 2)

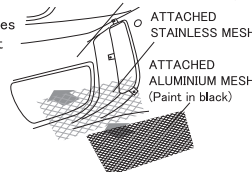
Remove OEM reinforcement from the body, then remove the both ends of OEM reinforcement fixed by rivets.

- A: Cut OEM under cover and intake ducts if they obstruct the attached meshes of ducts.  
B: Cut OEM inner liners as necessary.  
※ Process those OEM parts by checking the fitment.



### ■ HOW TO INSTALL THE ATTACHED MESHES (STEP 5)

Install the attached meshes (Two-Ply) to WALD Front Bumper from the rear. Paint the attached aluminium meshes into black.



### ■ HOW TO INSTALL PTS (STEP 4)

Remove PTS and bases, then use caulking glue to fix them to WALD Front Bumper from the rear.

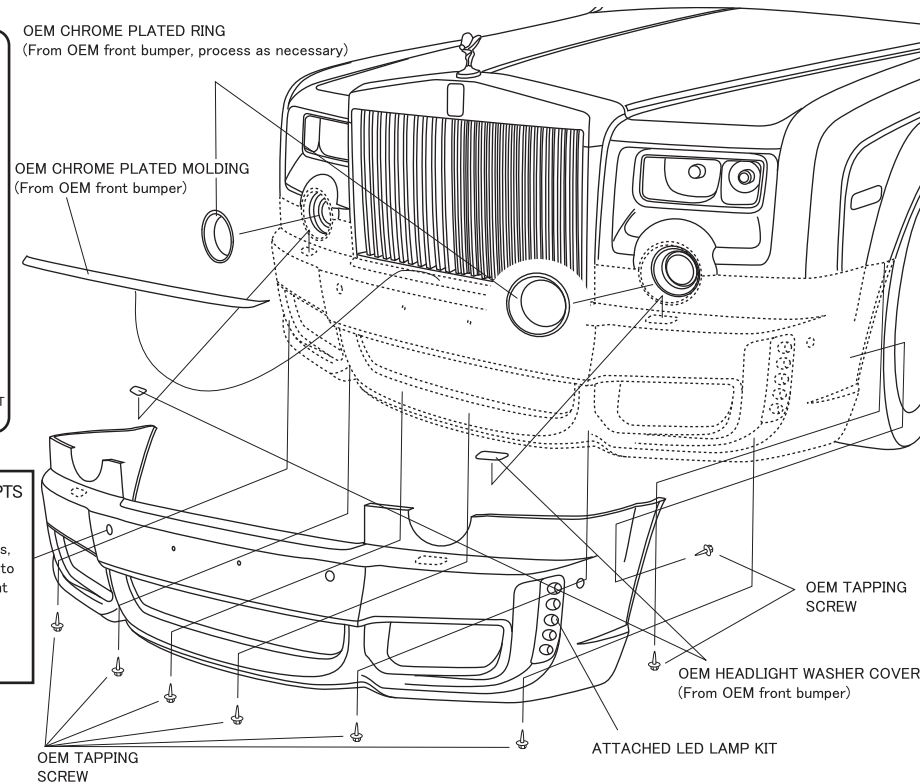
OEM CHROME PLATED RING  
(From OEM front bumper, process as necessary)

OEM CHROME PLATED MOLDING  
(From OEM front bumper)

OEM TAPPING SCREW

OEM HEADLIGHT WASHER COVER  
(From OEM front bumper)

ATTACHED LED LAMP KIT



## ATTENTION



- ※ MORE THAN 2 TECHNICIANS ARE NECESSARY IN THIS WORK.
- ※ DURING ALL THE INSTALLATION PROCESS, PLEASE BE CAREFUL NOT TO DAMAGE THE BODY.
- ※ DEGREASE ALL THE INSTALLATION POSITIONS, AND REMOVE THE BODY PROTECTION COATING BEFORE THE INSTALLATION.



WALD INTERNATIONAL

WALD INTERNATIONAL

ADD: 10-13 KYOGUCHI-CHO, TAKATSUKI, OSAKA, JAPAN ZIP: 569-0072 TEL: (81)-72-673-3000 FAX: (81)-72-673-3003

# ROLLS-ROYCE Phantom

WALD SPORTS LINE  
BLACK BISON EDITION

INSTALLATION MANUAL  
**WALD**  
Sportliche Autoausrüstung WALD.International

THANK YOU FOR PURCHASING. THIS IS THE INSTALLATION MANUAL OF WALD SIDE SPATS FOR ROLLS-ROYCE PHANTOM.  
PLEASE READ THIS MANUAL CAREFULLY BEFORE THE INSTALLATION.

## ATTENTION



- ※ NO RETURNS CAN BE ACCEPTED BECAUSE OF IMPROPER INSTALLATION OR PAINTING.
- ※ CHECK THE FITMENT, AND ADJUST ALL THE DETAILS BEFORE PAINTING.
- We assume no responsibility for any damage resulting from improper installation, painting, modification and any cut wound in unsealing.
- Contact the car dealer when you have any question in removing OEM parts.
- During all the installation process, use parking brake and stop the engine completely.
- Use rasps or sandpapers to fit the products to the body if there is an individual difference.
- The product is made of FRP. Handle with care. Do not give the excessive force. Gradually fix the bolts and nuts by checking the fitment and balance of the installation.
- Check the fitment, and adjust all the details of the fitment steady and proper. Please check the fitment and all the details regularly, fix the bolts and nuts as necessary.
- The instruction of painting is just our recommendation, please paint it as you like.
- ※ PLEASE BE AWARE OF:
  - You may lose the warranty and all the services from the car maker, because of replacing OEM parts.
  - Reduced road clearance may cause inconvenience in using parking curbs and garage jack.
  - FRP, ABS and PPE products are slightly weaker than OEM parts in crashes.
  - The product may not match the body and OEM color perfectly.

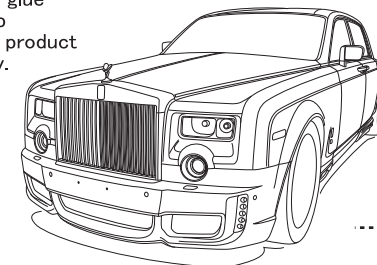
Please purchase double sided tape, primer and caulking glue at auto accessory shop or hardware store.

Completely degrease and paint primer on all the installation positions to enhance the viscosity of double sided tape.  
Use dryer to warm double sided tape to enhance the viscosity in low temperature.  
Keep the car in a dry condition more than 24 hours after gluing.  
Do not wash the car during this time.

	PARTS	QUANTITIES
SIDE SPATS	FRONT SIDE SPATS	1 SET
	REAR SIDE SPATS	1 SET
	FRONT FIN COVERS	1 SET
	REAR FIN COVERS	1 SET



Use caulking glue to fill the gap between the product and the body.



## SIDE SPATS

### 【BEFORE PAINTING】

- 1) Temporarily install the attached fin covers to WALD Side Spats.
- ※ Adjust the details of WALD Side Spats to fit the attached fin covers by rasps or sandpapers.
- 2) Temporarily install WALD Side Spats to the body.
- 3) Check the fitment, then use masking tape to mark the installation positions.

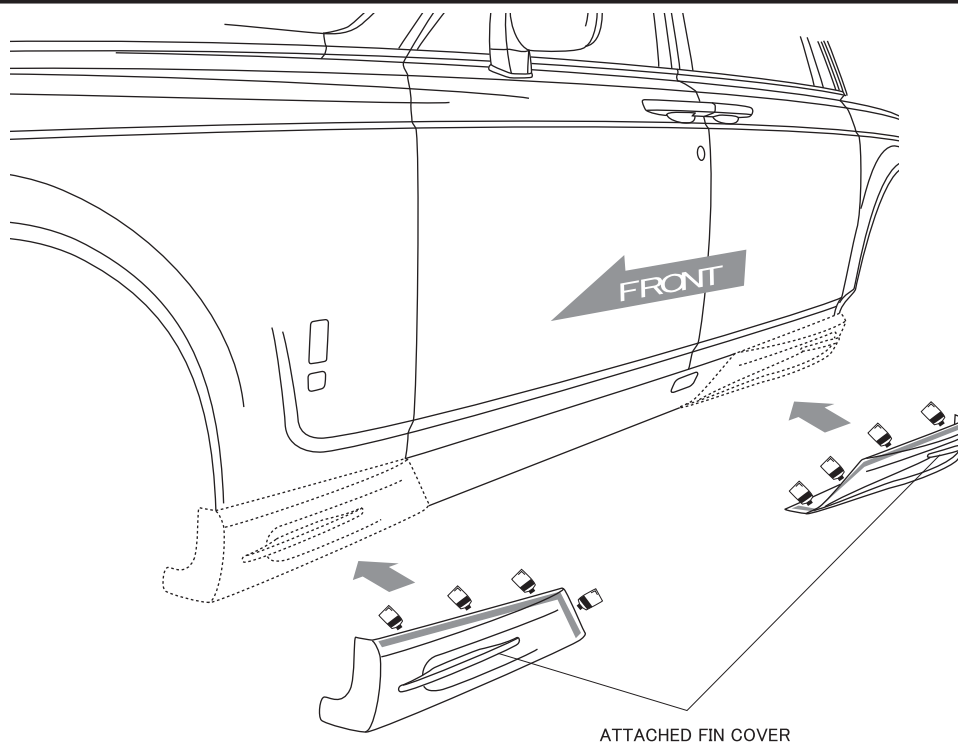
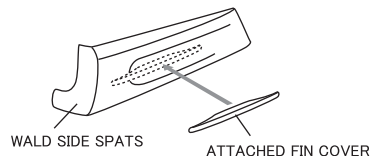
### 【AFTER PAINTING】

- 4) Completely degrease the installation positions of WALD Side Spats, then use the attached double sided tape to fix the attached fin covers to WALD Side Spats.
- 5) Completely degrease the installation positions of WALD Side Spats, then use caulking glue and masking tape to fix WALD Side Spats to the body according to the marked positions.
- 6) Check all the details of the fitment, leave them till completely fixed.

### ■ HOW TO INSTALL THE ATTACHED FIN COVERS (STEP 1, 4)

Use the attached double sided tape to install the attached fin covers to WALD Side Spats.

- ※ Be careful to match each direction of the attached fin covers in the installation.



## ATTENTION



- ※ DURING ALL THE INSTALLATION PROCESS, PLEASE BE CAREFUL NOT TO DAMAGE THE BODY.
- ※ DEGREASE ALL THE INSTALLATION POSITIONS, AND REMOVE THE BODY PROTECTION COATING BEFORE THE INSTALLATION.

WALD INTERNATIONAL

# ROLLS-ROYCE Phantom

WALD SPORTS LINE  
BLACK BISON EDITION

INSTALLATION MANUAL  
**WALD**  
Sportliche Autoausrüstung WALD.International

THANK YOU FOR PURCHASING. THIS IS THE INSTALLATION MANUAL OF WALD REAR BUMPER FOR ROLLS-ROYCE PHANTOM.  
PLEASE READ THIS MANUAL CAREFULLY BEFORE THE INSTALLATION.

## ATTENTION



- ※ NO RETURNS CAN BE ACCEPTED BECAUSE OF IMPROPER INSTALLATION OR PAINTING.
- ※ CHECK THE FITMENT, AND ADJUST ALL THE DETAILS BEFORE PAINTING.
- We assume no responsibility for any damage resulting from improper installation, painting, modification and any cut wound in unsealing.
- Contact the car dealer when you have any question in removing OEM parts.
- During all the installation process, use parking brake and stop the engine completely.
- Use rasps or sandpapers to fit the products to the body if there is an individual difference.
- The product is made of FRP. Handle with care. Do not give the excessive force.
- Gradually fix the bolts and nuts by checking the fitment and balance of the installation.
- Check the fitment, and adjust all the details of the fitment steady and proper.
- Please check the fitment and all the details regularly, fix the bolts and nuts as necessary.
- The instruction of painting is just our recommendation, please paint it as you like.
- ※ PLEASE BE AWARE OF:
  - You may lose the warranty and all the services from the car maker, because of replacing OEM parts.
  - Reduced road clearance may cause inconvenience in using parking curbs and garage jack.
  - FRP, ABS and PPE products are slightly weaker than OEM parts in crashes.
  - The product may not match the body and OEM color perfectly.

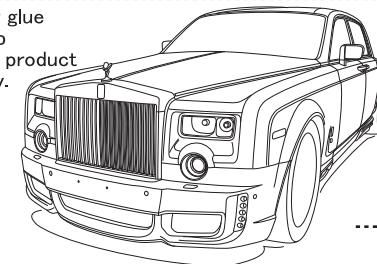
Please purchase double sided tape, primer and caulking glue at auto accessory shop or hardware store.

Completely degrease and paint primer on all the installation positions to enhance the viscosity of double sided tape.  
Use dryer to warm double sided tape to enhance the viscosity in low temperature.  
Keep the car in a dry condition more than 24 hours after gluing.  
Do not wash the car during this time.

	PARTS	QUANTITIES
REAR BUMPER	REAR BUMPER	1
	LED LAMP	1
	NUTS (M4)	2
	MUFFLER CUTTERS (OVAL120)	1 SET
	MUFFLER ADAPTERS	4



Use caulking glue to fill the gap between the product and the body.



## REAR BUMPER

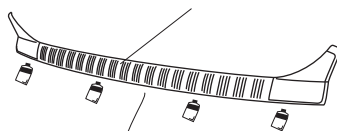
### 【BEFORE PAINTING】

- 1) Remove OEM rear bumper according to the Rolls-Royce service manual.
  - 2) Relocate OEM pins to WALD Rear Bumper from the rear.
  - 3) Temporarily install WALD Rear Bumper to the body.
- ※ Adjust the details of WALD Rear Bumper to fit the body by rasps or sandpapers.

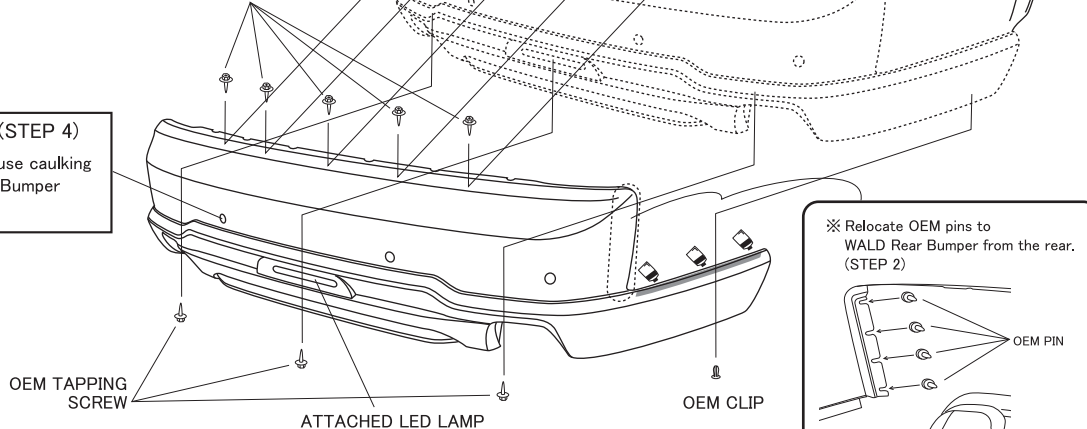
### 【AFTER PAINTING】

- 4) Install PTS and the attached LED lamp to WALD Rear Bumper.
- ※ Make sure the attached LED lamp is fine to work before the installation.
- 5) Temporarily fix OEM tapping screws and clips to install WALD Rear Bumper to the body.
  - 6) Check all the details of the fitment, then fix them.
  - 7) Use caulking glue to fix OEM rear bumper sill protector to WALD Rear Bumper.

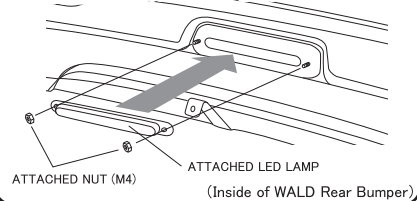
OEM REAR BUMPER SILL PROTECTOR



OEM TAPPING SCREW



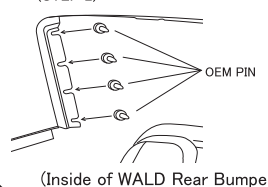
### ■ HOW TO INSTALL THE ATTACHED LED LAMP (STEP 4)



### ■ HOW TO INSTALL PTS (STEP 4)

Remove PTS and bases, then use caulking glue to fix them to WALD Rear Bumper from the rear.

※ Relocate OEM pins to WALD Rear Bumper from the rear. (STEP 2)



**ATTENTION** ※ MORE THAN 2 TECHNICIANS ARE NECESSARY IN THIS WORK.  
※ DURING ALL THE INSTALLATION PROCESS, PLEASE BE CAREFUL NOT TO DAMAGE THE BODY.  
※ DEGREASE ALL THE INSTALLATION POSITIONS, AND REMOVE THE BODY PROTECTION COATING BEFORE THE INSTALLATION.

WALD INTERNATIONAL

# ROLLS-ROYCE Phantom

WALD SPORTS LINE  
BLACK BISON EDITION

INSTALLATION MANUAL  
**WALD**  
Sportliche Autoausrüstung WALD.International

THANK YOU FOR PURCHASING. THIS IS THE INSTALLATION MANUAL OF WALD FRONT FENDERS FOR ROLLS-ROYCE PHANTOM.  
PLEASE READ THIS MANUAL CAREFULLY BEFORE THE INSTALLATION.

## ATTENTION



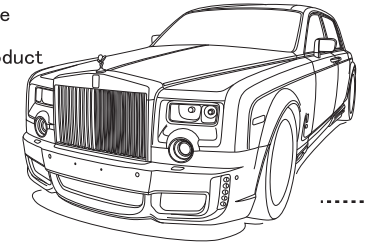
- ※ NO RETURNS CAN BE ACCEPTED BECAUSE OF IMPROPER INSTALLATION OR PAINTING.
- ※ CHECK THE FITMENT, AND ADJUST ALL THE DETAILS BEFORE PAINTING.
- We assume no responsibility for any damage resulting from improper installation, painting, modification and any cut wound in unsealing.
- Contact the car dealer when you have any question in removing OEM parts.
- During all the installation process, use parking brake and stop the engine completely.
- Use rasps or sandpapers to fit the products to the body if there is an individual difference.
- The product is made of FRP. Handle with care. Do not give the excessive force.
- Gradually fix the bolts and nuts by checking the fitment and balance of the installation.
- Check the fitment, and adjust all the details of the fitment steady and proper.
- Please check the fitment and all the details regularly, fix the bolts and nuts as necessary.
- The instruction of painting is just our recommendation, please paint it as you like.
- ※ PLEASE BE AWARE OF:
  - You may lose the warranty and all the services from the car maker, because of replacing OEM parts.
  - Reduced road clearance may cause inconvenience in using parking curbs and garage jack.
  - FRP, ABS and PPE products are slightly weaker than OEM parts in crashes.
  - The product may not match the body and OEM color perfectly.

Please purchase double sided tape, primer and caulking glue at auto accessory shop or hardware store.

Completely degrease and paint primer on all the installation positions to enhance the viscosity of double sided tape.  
Use dryer to warm double sided tape to enhance the viscosity in low temperature.  
Keep the car in a dry condition more than 24 hours after gluing.  
Do not wash the car during this time.

	PARTS	QUANTITIES
FRONT FENDER	FRONT FENDERS	1 SET
	MESHES	1 SET
	CLIPS	8
	WINKER LAMPS	1 SET
	STAINLESS UPPER PANELS	1 SET
	STAINLESS UNDER PANELS	1 SET

Use caulking glue to fill the gap between the product and the body.



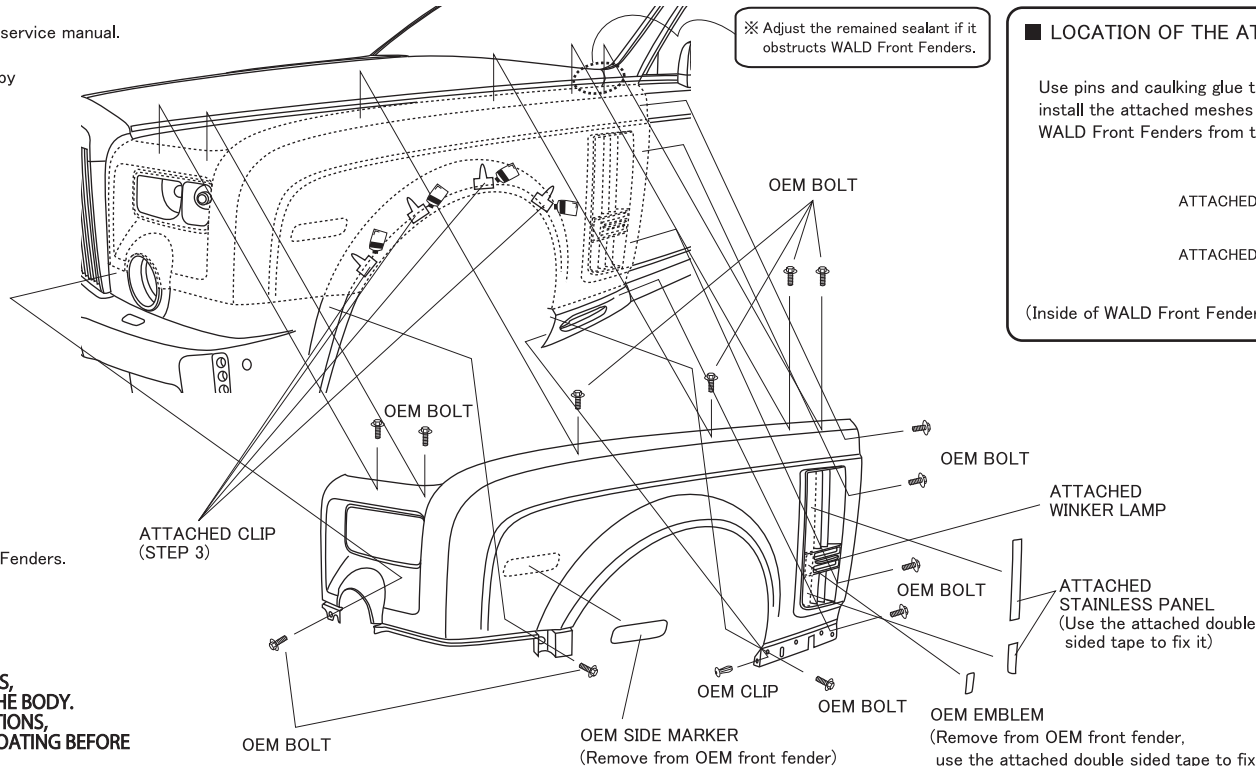
## FRONT FENDER

### 【BEFORE PAINTING】

- 1) Remove OEM front fenders according to the Rolls-Royce service manual.
- 2) Temporarily install WALD Front Fenders to the body.
- ※ Adjust the details of WALD Front Fenders to fit the body by rasps or sandpapers.
- 3) Use caulking glue to fix the attached clips to WALD Front Fenders from the rear, then make holes on OEM inner liners along them.
- 4) Prepare to connect the attached winker lamps.

### 【AFTER PAINTING】

- 5) Use caulking glue to install the attached winker lamps to WALD Front Fenders from the rear.
- ※ Make sure the attached winker lamps are fine to work before the installation.
- 6) Use caulking glue to install the attached meshes to WALD Front Fenders from the rear.
- 7) Temporarily tighten all the bolts and clips to install WALD Front Fenders to the body.
- 8) Check all the details of the fitment, then fix them. Fix OEM inner liners to WALD Front Fenders.
- 9) Completely degrease the installation positions of the attached stainless panels, then use the attached double sided tape to install the attached stainless panels to WALD Front Fenders.
- 10) Relocate OEM emblems and side markers to WALD Front Fenders.



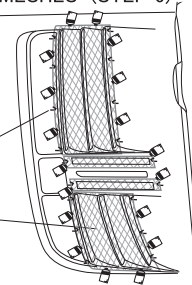
### ■ LOCATION OF THE ATTACHED MESHES (STEP 6)

Use pins and caulking glue to install the attached meshes to WALD Front Fenders from the rear.

ATTACHED PIN

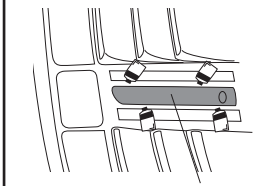
ATTACHED MESH

(Inside of WALD Front Fender)



### ■ HOW TO INSTALL (STEP 5) THE ATTACHED WINKER LAMPS

Use caulking glue to install the attached winker lamps to WALD Front Fenders from the rear.



ATTACHED WINKER LAMP  
(Inside of WALD Front Fender)

## ATTENTION



※ DURING ALL THE INSTALLATION PROCESS, PLEASE BE CAREFUL NOT TO DAMAGE THE BODY.  
※ DEGREASE ALL THE INSTALLATION POSITIONS, AND REMOVE THE BODY PROTECTION COATING BEFORE THE INSTALLATION.

# ROLLS-ROYCE Phantom

WALD SPORTS LINE  
BLACK BISON EDITION

INSTALLATION MANUAL  
**WALD**  
Sportliche Autoausrüstung WALD International

THANK YOU FOR PURCHASING. THIS IS THE INSTALLATION MANUAL OF WALD MIRROR COVERS FOR ROLLS-ROYCE PHANTOM.  
PLEASE READ THIS MANUAL CAREFULLY BEFORE THE INSTALLATION.

## ATTENTION



- ※ NO RETURNS CAN BE ACCEPTED BECAUSE OF IMPROPER INSTALLATION OR PAINTING.
- ※ CHECK THE FITMENT, AND ADJUST ALL THE DETAILS BEFORE PAINTING.
- We assume no responsibility for any damage resulting from improper installation, painting, modification and any cut wound in unsealing.
- Contact the car dealer when you have any question in removing OEM parts.
- During all the installation process, use parking brake and stop the engine completely.
- Use rasps or sandpapers to fit the products to the body if there is an individual difference.
- The product is made of FRP. Handle with care. Do not give the excessive force.
- Gradually fix the bolts and nuts by checking the fitment and balance of the installation.
- Check the fitment, and adjust all the details of the fitment steady and proper.
- Please check the fitment and all the details regularly, fix the bolts and nuts as necessary.
- The instruction of painting is just our recommendation, please paint it as you like.
- ※ PLEASE BE AWARE OF:
  - You may lose the warranty and all the services from the car maker, because of replacing OEM parts.
  - Reduced road clearance may cause inconvenience in using parking curbs and garage jack.
  - FRP, ABS and PPE products are slightly weaker than OEM parts in crashes.
  - The product may not match the body and OEM color perfectly.

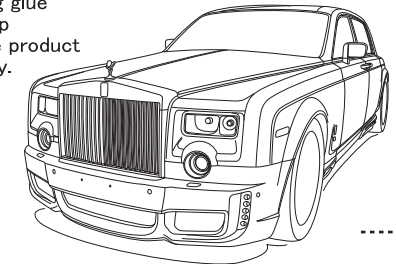
Please purchase double sided tape, primer and caulking glue at auto accessory shop or hardware store.

Completely degrease and paint primer on all the installation positions to enhance the viscosity of double sided tape.  
Use dryer to warm double sided tape to enhance the viscosity in low temperature.  
Keep the car in a dry condition more than 24 hours after gluing.  
Do not wash the car during this time.

	PARTS	QUANTITIES
MIRROR COVER	MIRROR COVERS	1 SET
	LED LAMPS	1 SET



Use caulking glue to fill the gap between the product and the body.



## MIRROR COVER

### [BEFORE PAINTING]

- 1) Remove OEM mirror covers according to the Rolls-Royce service manual.
- 2) Temporarily install WALD Mirror Covers to the body.
- ※ Adjust the details of WALD Mirror Covers to fit the body by rasps or sandpapers.
- 3) Prepare to connect the attached LED lamps.

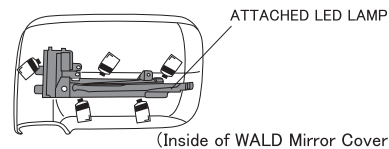
### [AFTER PAINTING]

- 4) Use caulking glue to fix the attached LED lamps to WALD Mirror Covers from the rear.
- ※ Make sure the attached LED lamps are fine to work before the installation.
- 5) Completely degrease the installation positions, then use caulking glue and masking tape to fix WALD Mirror Covers to the body, leave them till completely fixed.

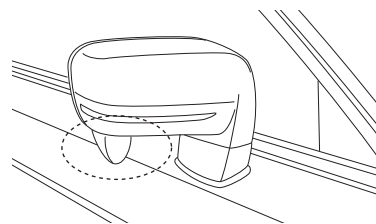
### ■ HOW TO INSTALL

#### THE ATTACHED LED LAMPS (STEP 4)

Use caulking glue to fix the attached LED lamps to WALD Mirror Covers from the rear.



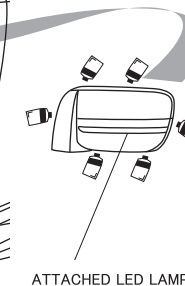
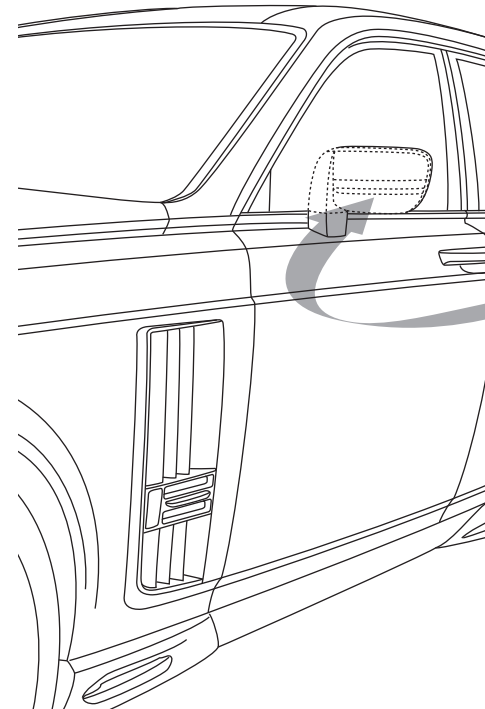
- ※ Relocate OEM mirror cover parts of passenger seat side to WALD Mirror Cover.



## ATTENTION



- ※ DURING ALL THE INSTALLATION PROCESS, PLEASE BE CAREFUL NOT TO DAMAGE THE BODY.
- ※ DEGREASE ALL THE INSTALLATION POSITIONS, AND REMOVE THE BODY PROTECTION COATING BEFORE THE INSTALLATION.



WALD INTERNATIONAL

# ROLLS-ROYCE Phantom

WALD SPORTS LINE  
BLACK BISON EDITION

INSTALLATION MANUAL  
**WALD**  
Sportliche Autoausrüstung WALD.International

THANK YOU FOR PURCHASING. THIS IS THE INSTALLATION MANUAL OF WALD TRUNK SPOILER FOR ROLLS-ROYCE PHANTOM.  
PLEASE READ THIS MANUAL CAREFULLY BEFORE THE INSTALLATION.

## ATTENTION



- ※ NO RETURNS CAN BE ACCEPTED BECAUSE OF IMPROPER INSTALLATION OR PAINTING.
- ※ CHECK THE FITMENT, AND ADJUST ALL THE DETAILS BEFORE PAINTING.
- We assume no responsibility for any damage resulting from improper installation, painting, modification and any cut wound in unsealing.
- Contact the car dealer when you have any question in removing OEM parts.
- During all the installation process, use parking brake and stop the engine completely.
- Use rasps or sandpapers to fit the products to the body if there is an individual difference.
- The product is made of FRP. Handle with care. Do not give the excessive force. Gradually fix the bolts and nuts by checking the fitment and balance of the installation.
- Check the fitment, and adjust all the details of the fitment steady and proper. Please check the fitment and all the details regularly, fix the bolts and nuts as necessary.
- The instruction of painting is just our recommendation, please paint it as you like.
- ※ PLEASE BE AWARE OF:
  - You may lose the warranty and all the services from the car maker, because of replacing OEM parts.
  - Reduced road clearance may cause inconvenience in using parking curbs and garage jack.
  - FRP, ABS and PPE products are slightly weaker than OEM parts in crashes.
  - The product may not match the body and OEM color perfectly.

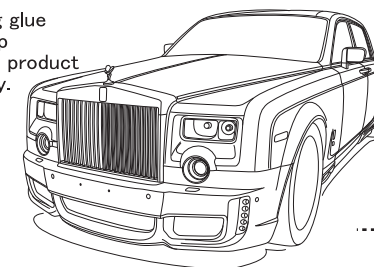
Please purchase double sided tape, primer and caulking glue at auto accessory shop or hardware store.

Completely degrease and paint primer on all the installation positions to enhance the viscosity of double sided tape.  
Use dryer to warm double sided tape to enhance the viscosity in low temperature.  
Keep the car in a dry condition more than 24 hours after gluing.  
Do not wash the car during this time.

	PARTS	QUANTITIES
TRUNK SPOILER	TRUNK SPOILER	1



Use caulking glue to fill the gap between the product and the body.



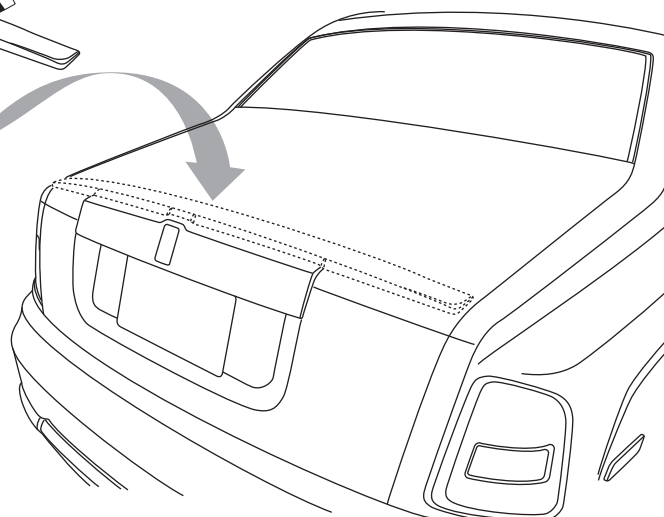
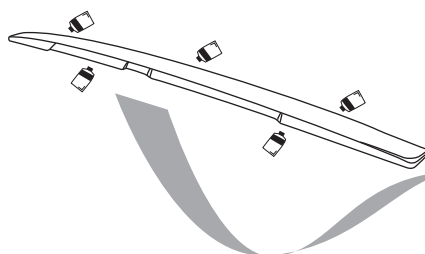
## TRUNK SPOILER

### 【BEFORE PAINTING】

- 1) Temporarily put WALD Trunk Spoiler to the trunk.
- 2) Check the fitment, then use masking tape to mark the installation position.

### 【AFTER PAINTING】

- 3) Completely degrease the installation position, then use caulking glue and masking tape to fix WALD Trunk Spoiler to the trunk according to the marked position.
- 4) Check all the details of the fitment, leave it till completely fixed.



## ATTENTION



- ※ MORE THAN 2 TECHNICIANS ARE NECESSARY IN THIS WORK. DURING ALL THE INSTALLATION PROCESS, PLEASE BE CAREFUL NOT TO DAMAGE THE BODY.
- ※ DEGREASE THE INSTALLATION POSITION, AND REMOVE THE BODY PROTECTION COATING BEFORE THE INSTALLATION.

WALD INTERNATIONAL

# ROLLS-ROYCE Phantom

WALD SPORTS LINE  
BLACK BISON EDITION

INSTALLATION MANUAL  
**WALD**  
Sportliche Autoausrüstung WALD.International

THANK YOU FOR PURCHASING. THIS IS THE INSTALLATION MANUAL OF LED LAMP KIT OF WALD FRONT BUMPER FOR ROLLS-ROYCE PHANTOM.  
PLEASE READ THIS MANUAL CAREFULLY BEFORE THE INSTALLATION.

## ATTENTION



- ※ NO RETURNS CAN BE ACCEPTED BECAUSE OF IMPROPER INSTALLATION OR PAINTING.
- ※ CHECK THE FITMENT, AND ADJUST ALL THE DETAILS BEFORE PAINTING.
- We assume no responsibility for any damage resulting from improper installation, painting, modification and any cut wound in unsealing.
- Contact the car dealer when you have any question in removing OEM parts.
- During all the installation process, use parking brake and stop the engine completely.
- Use rasps or sandpapers to fit the products to the body if there is an individual difference.
- The product is made of FRP. Handle with care. Do not give the excessive force.
- Gradually fix the bolts and nuts by checking the fitment and balance of the installation.
- Check the fitment, and adjust all the details of the fitment steady and proper.
- Please check the fitment and all the details regularly, fix the bolts and nuts as necessary.
- The instruction of painting is just our recommendation, please paint it as you like.
- ※ PLEASE BE AWARE OF:
  - You may lose the warranty and all the services from the car maker, because of replacing OEM parts.
  - Reduced road clearance may cause inconvenience in using parking curbs and garage jack.
  - FRP, ABS and PPE products are slightly weaker than OEM parts in crashes.
  - The product may not match the body and OEM color perfectly.

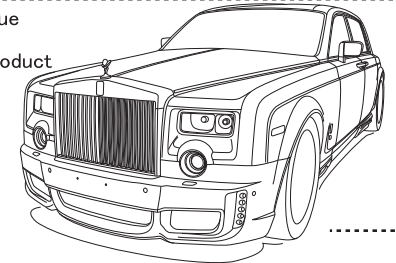
Please purchase double sided tape, primer and caulking glue at auto accessory shop or hardware store.

Completely degrease and paint primer on all the installation positions to enhance the viscosity of double sided tape.  
Use dryer to warm double sided tape to enhance the viscosity in low temperature.  
Keep the car in a dry condition more than 24 hours after gluing.  
Do not wash the car during this time.

	PARTS	QUANTITIES
LED LAMP KIT	LED LAMPS	1 SET
	LED LAMP BRACKETS	1 SET
	REMOTE CONTROL RELAY HARNESS	1 SET
	TAPPING SCREWS (M4 x 10)	6
	U-TYPE NUTS	6



Use caulking glue to fill the gap between the product and the body.



## LED LAMP KIT

### 【BEFORE PAINTING】

- 1) Temporarily tighten the attached tapping screws and U-type nuts to install the LED lamp brackets to WALD Front Bumper from the rear.
- ※ Adjust the details of the LED lamp brackets to fit WALD Front Bumper by rasps or sandpapers.
- 2) Check the position and angle of the LED lamps to fit the LED lamp brackets.
- ※ Adjust the details of the LED lamp brackets to fit the LED lamps by rasps or sandpapers.
- 3) Use the attached remote control relay harness to prepare to connect the LED lamps.
- ※ Insulate any spare harness.

### 【AFTER PAINTING】

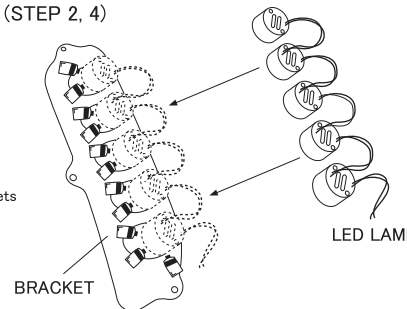
- 4) Check all the details of the fitment, then use caulking glue and masking tape to fix the LED lamps to the LED lamp brackets, leave them till completely fixed.
- 5) Install them to WALD Front Bumper.

### ■ HOW TO INSTALL THE LED LAMPS (STEP 2, 4)



LED LAMP (Face of the lens)

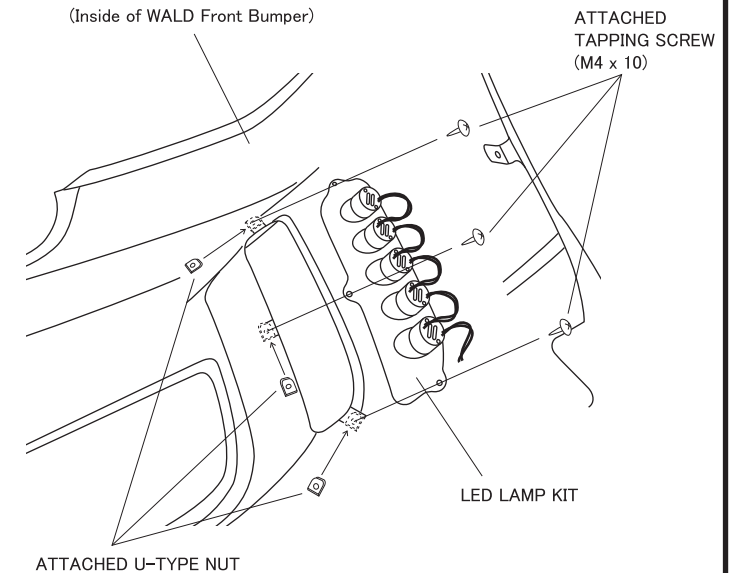
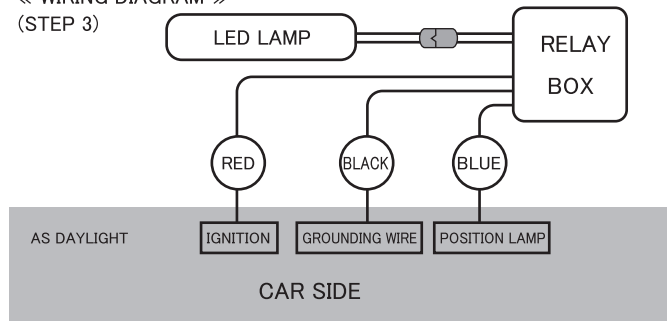
Use heat resistant caulking glue to fix the LED lamps to the LED lamp brackets according to the picture.



BRACKET

LED LAMP

### ◀ WIRING DIAGRAM ▶ (STEP 3)



## ATTENTION



- ※ DEGREASE ALL THE INSTALLATION POSITIONS, AND REMOVE THE BODY PROTECTION COATING BEFORE THE INSTALLATION.
- ※ MAKE SURE THE LED LAMPS ARE FINE TO WORK BEFORE THE INSTALLATION.