

THANK YOU FOR PURCHASING. THIS IS THE INSTALLATION MANUAL OF WALD FRONT HALF SPOILER FOR TOYOTA ZYX10 C-HR. PLEASE READ THIS MANUAL CAREFULLY BEFORE THE INSTALLATION.

ATTENTION



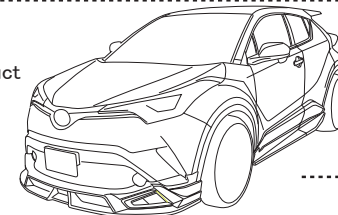
- ※ NO RETURNS CAN BE ACCEPTED BECAUSE OF IMPROPER INSTALLATION OR PAINTING.
- ※ CHECK THE FITMENT, AND ADJUST ALL THE DETAILS BEFORE PAINTING.
- We assume no responsibility for any damage resulting from improper installation, painting, modification and any cut wound in unsealing.
- Contact the car dealer when you have any question in removing OEM parts.
- During all the installation process, use parking brake and stop the engine completely.
- Use rasps or sandpapers to fit the products to the body if there is an individual difference.
- The product is made of FRP. Handle with care. Do not give the excessive force. Gradually fix the bolts and nuts by checking the fitment and balance of the installation.
- Check the fitment, and adjust all the details of the fitment steady and proper. Please check the fitment and all the details regularly, fix the bolts and nuts as necessary.
- The instruction of painting is just our recommendation, please paint it as you like.
- ※ PLEASE BE AWARE OF:
 - You may lose the warranty and all the services from the car maker, because of replacing OEM parts.
 - Reduced road clearance may cause inconvenience in using parking curbs and garage jack.
 - FRP, ABS and PPE products are slightly weaker than OEM parts in crashes.
 - The product may not match the body and OEM color perfectly.

Please purchase double sided tape, primer and caulking glue at auto accessory shop or hardware store.

Completely degrease and paint primer on all the installation positions to enhance the viscosity of double sided tape.
Use dryer to warm double sided tape to enhance the viscosity in low temperature.
Keep the car in a dry condition more than 24 hours after gluing.
Do not wash the car during this time.

	PARTS	QUANTITIES
FRONT HALF SPOILER	FRONT SPOILER	1
	CHROME ACCENTS	1 SET
	RUBBER MOLDING	1
	TAPPING SCREWS (M5 X 16)	4
	BRACKETS	2
	BOLTS (M5 X 15)	2

Use caulking glue to fill the gap between the product and the body.



FRONT HALF SPOILER

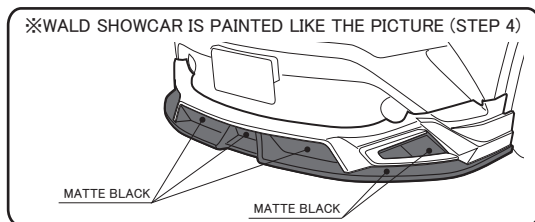
【BEFORE PAINTING】

- 1) Temporarily install WALD Front Spoiler to the body.
- ※ Adjust the details of WALD Front Half Spoiler to fit the body by rasps or sandpapers.
- 2) Mark the location of the holes for the attached tapping screws after checking the balance.
- 3) Take off WALD Front Half Spoiler, then make holes according to the marked positions.
- 4) Paint WALD Front Half Spoiler according to the picture.

【AFTER PAINTING】

- 5) Completely degrease the installation position, then use caulking glue to install WALD Front Half Spoiler to the body.
- 6) Fix the attached brackets and rubber moldings on WALD Front Half Spoiler.
- 7) Temporarily install WALD Front Spoiler to the body with the attached double-sided tape.
- ※ Fold the both ends of release paper to adjust the location.
- 8) Check all the details of the fitment, then tighten the attached bolts.
- 9) Fix the attached chrome accents on WALD Front Half Spoiler with the double-sided tape and caulking glue.
- 10) Leave it till completely fixed.

※WALD SHOWCAR IS PAINTED LIKE THE PICTURE (STEP 4)

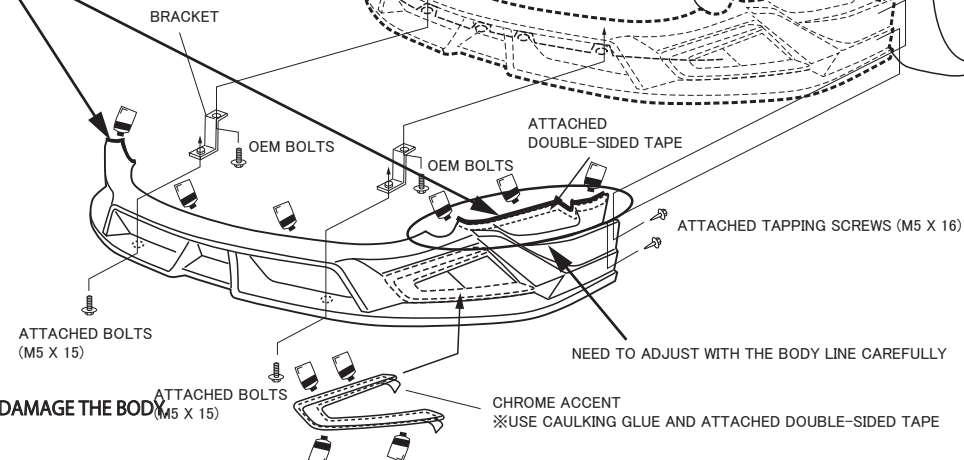
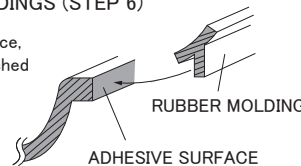


ATTENTION

- ※ MORE THAN 2 TECHNICIANS ARE NECESSARY IN THIS WORK. DURING ALL THE INSTALLATION PROCESS, PLEASE BE CAREFUL NOT TO DAMAGE THE BODY.
- ※ DEGREASE ALL THE INSTALLATION POSITIONS, AND REMOVE THE BODY PROTECTION COATING BEFORE THE INSTALLATION.
- ※ ADJUST ALL THE DETAILS OF OUR PRODUCTS TO FIT ON A CAR PERFECTLY.

■HOW TO FIX THE ATTACHED RUBBER MOLDINGS (STEP 6)

Priming the surface, then fix the attached rubber moldings.



THANK YOU FOR PURCHASING. THIS IS THE INSTALLATION MANUAL OF WALD SIDE STEPS FOR TOYOTA ZYX10 C-HR. PLEASE READ THIS MANUAL CAREFULLY BEFORE THE INSTALLATION.

ATTENTION



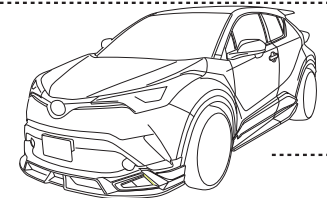
- ※ NO RETURNS CAN BE ACCEPTED BECAUSE OF IMPROPER INSTALLATION OR PAINTING.
- ※ CHECK THE FITMENT, AND ADJUST ALL THE DETAILS BEFORE PAINTING.
- We assume no responsibility for any damage resulting from improper installation, painting, modification and any cut wound in unsealing.
- Contact the car dealer when you have any question in removing OEM parts.
- During all the installation process, use parking brake and stop the engine completely.
- Use rasps or sandpapers to fit the products to the body if there is an individual difference.
- The product is made of FRP. Handle with care. Do not give the excessive force. Gradually fix the bolts and nuts by checking the fitment and balance of the installation.
- Check the fitment, and adjust all the details of the fitment steady and proper. Please check the fitment and all the details regularly, fix the bolts and nuts as necessary.
- The instruction of painting is just our recommendation, please paint it as you like.
- ※ PLEASE BE AWARE OF:
 - You may lose the warranty and all the services from the car maker, because of replacing OEM parts.
 - Reduced road clearance may cause inconvenience in using parking curbs and garage jack.
 - FRP, ABS and PPE products are slightly weaker than OEM parts in crashes.
 - The product may not match the body and OEM color perfectly.

Please purchase double sided tape, primer and caulking glue at auto accessory shop or hardware store.

Completely degrease and paint primer on all the installation positions to enhance the viscosity of double sided tape.
Use dryer to warm double sided tape to enhance the viscosity in low temperature.
Keep the car in a dry condition more than 24 hours after gluing.
Do not wash the car during this time.

	PARTS	QUANTITIES
SIDE STEP	SIDE STEPS	1 SET
	RUBBER MOLDING	1 SET
	DOOR PANEL AERO COVERS	1 SET
	BRACKET A (LONG)	4
	BRACKET B (SHORT)	2
	BOLTS (M5 X 15)	3 SETS
	GROMMET	6

Use caulking glue to fill the gap between the product and the body.



SIDE STEP

【BEFORE PAINTING】

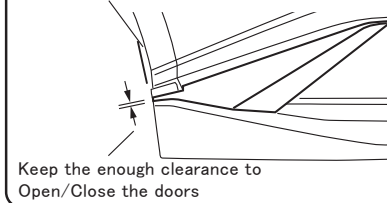
- 1) Temporarily install WALD Side Steps to the body with the attached brackets.
- ※ Adjust the details of WALD Sides Steps to fit the body by rasps or sandpapers.
- 2) Mark the location of Door Panel Aero Covers to the body with the masking tape after checking the balance.
- 3) Paint WALD Side Steps and Door Panel Aero Covers.

【AFTER PAINTING】

- 4) Completely degrease the installation position.
- 5) Fix the attached brackets on WALD Side Steps.
- 6) Fix the attached rubber moldings on WALD Side Steps.
- 7) Use caulking glue and the attached double-sided tape to install WALD Side Steps and Door Panel Aero Covers to the body.
- ※ Fold the both ends of release paper to adjust the location.
- 8) Use OEM tapping screws and the attached bolts to fix WALD Side Steps tightly.
- 9) Leave them till completely fixed.

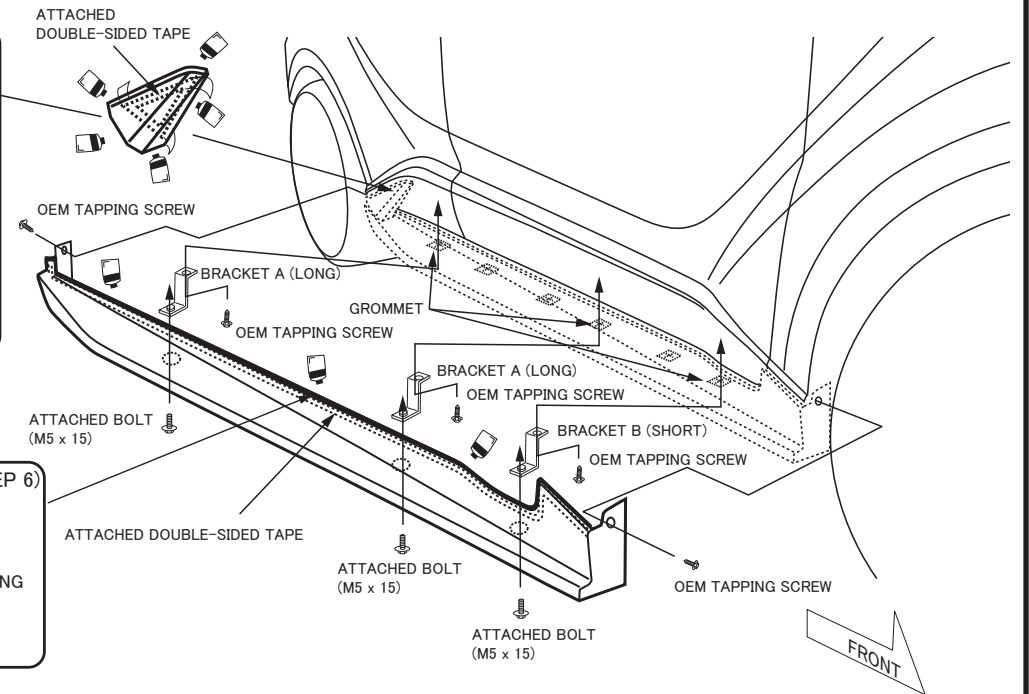
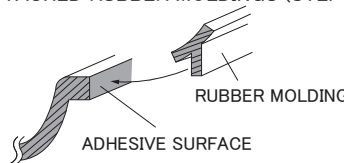
■ HOW TO FIX THE ATTACHED DOOR PANEL AERO COVERS (STEP 7)

Fix along with the fender line



■ HOW TO FIX THE ATTACHED RUBBER MOLDINGS (STEP 6)

Priming the surface, then fix the attached rubber moldings.



⚠ ATTENTION

- ※ MORE THAN 2 TECHNICIANS ARE NECESSARY IN THIS WORK.
- DURING ALL THE INSTALLATION PROCESS, PLEASE BE CAREFUL NOT TO DAMAGE THE BODY.
- ※ ADJUST ALL THE DETAILS OF OUR PRODUCTS TO FIT ON A CAR PERFECTLY.

THANK YOU FOR PURCHASING. THIS IS THE INSTALLATION MANUAL OF WALD REAR DIFFUSER FOR TOYOTA ZYX10 C-HR.
PLEASE READ THIS MANUAL CAREFULLY BEFORE THE INSTALLATION.

ATTENTION



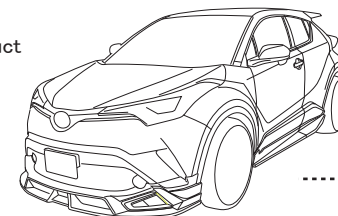
- ※ NO RETURNS CAN BE ACCEPTED BECAUSE OF IMPROPER INSTALLATION OR PAINTING.
- ※ CHECK THE FITMENT, AND ADJUST ALL THE DETAILS BEFORE PAINTING.
- We assume no responsibility for any damage resulting from improper installation, painting, modification and any cut wound in unsealing.
- Contact the car dealer when you have any question in removing OEM parts.
- During all the installation process, use parking brake and stop the engine completely.
- Use rasps or sandpapers to fit the products to the body if there is an individual difference.
- The product is made of FRP. Handle with care. Do not give the excessive force.
- Gradually fix the bolts and nuts by checking the fitment and balance of the installation.
- Check the fitment, and adjust all the details of the fitment steady and proper.
- Please check the fitment and all the details regularly, fix the bolts and nuts as necessary.
- The instruction of painting is just our recommendation, please paint it as you like.
- ※ PLEASE BE AWARE OF:
- You may lose the warranty and all the services from the car maker, because of replacing OEM parts.
- Reduced road clearance may cause inconvenience in using parking curbs and garage jack.
- FRP, ABS and PPE products are slightly weaker than OEM parts in crashes.
- The product may not match the body and OEM color perfectly.

Please purchase double sided tape, primer and caulking glue at auto accessory shop or hardware store.

Completely degrease and paint primer on all the installation positions to enhance the viscosity of double sided tape.
Use dryer to warm double sided tape to enhance the viscosity in low temperature.
Keep the car in a dry condition more than 24 hours after gluing.
Do not wash the car during this time.

	PARTS	QUANTITIES
REAR DIFFUSER	REAR DIFFUSER	1
	BRACKET A (LONG)	2
	BRACKET B (SHORT)	2
	BOLTS & NUTS (M5 x 15)	3 SETS
	BOLTS (M6 x 15)	4

Use caulking glue to fill the gap between the product and the body.



REAR DIFFUSER

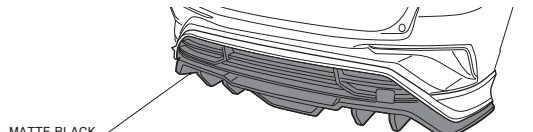
[BEFORE PAINTING]

- 1) Take off OEM rear bumper according to the TOYOTA service manual.
 - 2) Take of the lower part from OEM rear bumper according to the TOYOTA service manual.
 - 3) Cut OEM inner part according to PIC 1.
 - 4) Temporarily fix OEM rear fog lamp/panel plate on WALD Rear Diffuser with the attached adaptor according to PIC 2.
 - 5) Temporarily install WALD Rear Diffuser to the body with the attached brackets.
- ※ Adjust the details of WALD Rear Diffuser to fit the body by rasps or sandpapers.
- 6) Paint WALD Rear Diffuser according to PIC 3.

[AFTER PAINTING]

- 7) Replace OEM PTS Units to WALD Rear Diffuser.
 - 8) Temporarily install WALD Rear Diffuser to the body with the attached brackets.
Replace OEM Tow Hook Cover on WALD Rear Diffuser.
Fix OEM rear fog lamp/panel plate on WALD Rear Diffuser.
- ※ OEM rear fog lamp of the cold weather specification car : Fix with the attached Adaptor, then connect the harness.
- 9) Check all the details of the fitment, then fix the attached bolts and nuts tightly.

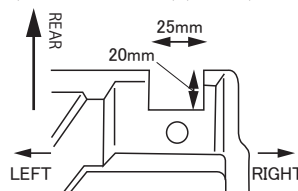
※PIC 3 WALD SHOWCAR IS PAINTED LIKE THE PICTURE (STEP 6)



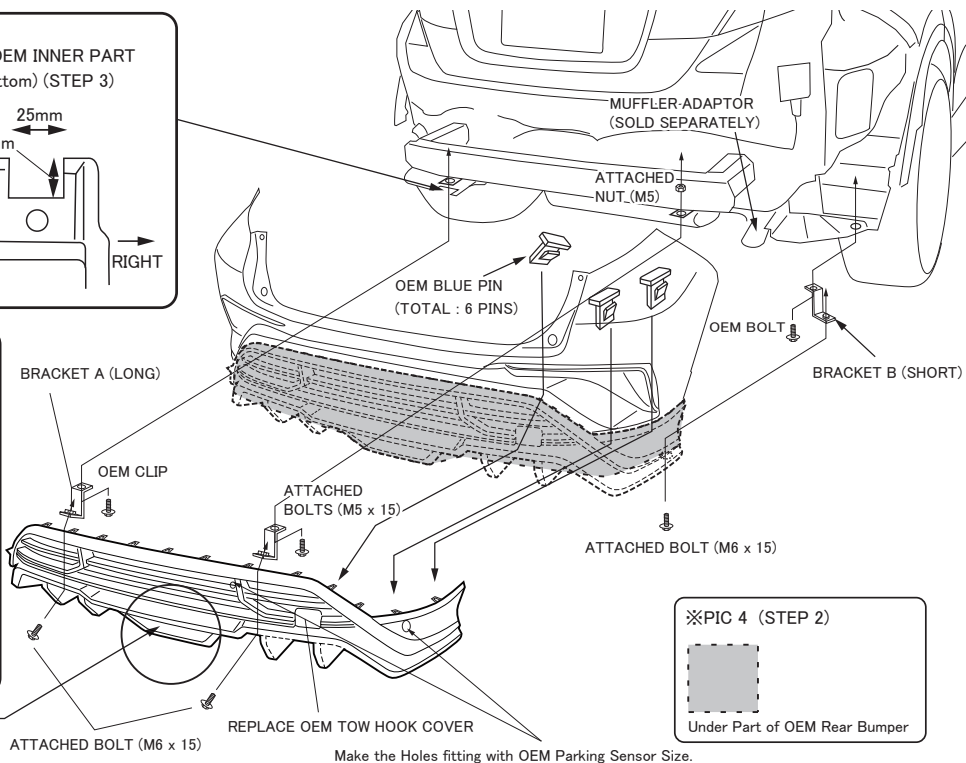
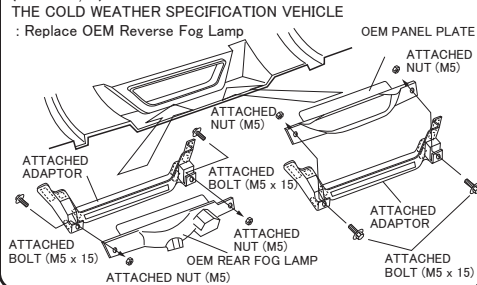
ATTENTION

- ※ MORE THAN 2 TECHNICIANS ARE NECESSARY IN THIS WORK.
- DURING ALL THE INSTALLATION PROCESS, PLEASE BE CAREFUL NOT TO DAMAGE THE BODY.
- ※ ADJUST ALL THE DETAILS OF OUR PRODUCTS TO FIT ON A CAR PERFECTLY.

※PIC 1
HOW TO CUT OEM INNER PART
(View of the Bottom) (STEP 3)



※PIC 2
HOW TO FIX OEM REAR FOG LAMP/PANEL PLATE
(STEP 4, 8)
THE COLD WEATHER SPECIFICATION VEHICLE
: Replace OEM Reverse Fog Lamp



※PIC 4 (STEP 2)

