

# LAND CRUISER UZJ200 URJ202

WALD SPORTS LINE  
BLACK BISON EDITION

INSTALLATION MANUAL  
**WALD**  
Sportliche Autoausrüstung WALD.International

THANK YOU FOR PURCHASING. THIS IS THE INSTALLATION MANUAL OF WALD FRONT BUMPER FOR TOYOTA UZJ200/URJ202 LAND CRUISER.  
PLEASE READ THIS MANUAL CAREFULLY BEFORE THE INSTALLATION.

ATTENTION



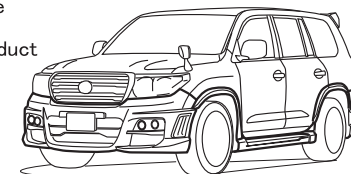
- ※ NO RETURNS CAN BE ACCEPTED BECAUSE OF IMPROPER INSTALLATION OR PAINTING.
- ※ CHECK THE FITMENT, AND ADJUST ALL THE DETAILS BEFORE PAINTING.
- We assume no responsibility for any damage resulting from improper installation, painting, modification and any cut wound in unsealing.
- Contact the car dealer when you have any question in removing OEM parts.
- During all the installation process, use parking brake and stop the engine completely.
- Use rasps or sandpapers to fit the products to the body if there is an individual difference.
- The product is made of FRP. Handle with care. Do not give the excessive force. Gradually fix the bolts and nuts by checking the fitment and balance of the installation.
- Check the fitment, and adjust all the details of the fitment steady and proper. Please check the fitment and all the details regularly, fix the bolts and nuts as necessary.
- The instruction of painting is just our recommendation, please paint it as you like.
- ※ PLEASE BE AWARE OF:
  - You may lose the warranty and all the services from the car maker, because of replacing OEM parts.
  - Reduced road clearance may cause inconvenience in using parking curbs and garage jack.
  - FRP, ABS and PPE products are slightly weaker than OEM parts in crashes.
  - The product may not match the body and OEM color perfectly.

Please purchase double sided tape, primer and caulking glue at auto accessory shop or hardware store.

Completely degrease and paint primer on all the installation positions to enhance the viscosity of double sided tape.  
Use dryer to warm double sided tape to enhance the viscosity in low temperature.  
Keep the car in a dry condition more than 24 hours after gluing.  
Do not wash the car during this time.

	PARTS	QUANTITIES
FRONT BUMPER	FRONT BUMPER	1
	MESHES	1 SET
	FOG LAMP COVERS	1 SET
	FOG LAMPS	2 SETS
	BRACKETS	2
	BOLTS (M5 x 16) & NUTS	6 SETS
	TAPPING SCREWS (M6 x 16)	6

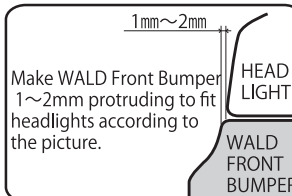
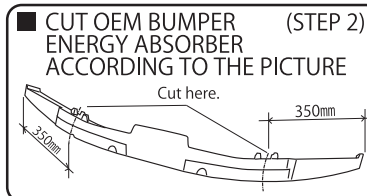
Use caulking glue to fill the gap between the product and the body.



## FRONT BUMPER

### [BEFORE PAINTING]

- 1) Remove OEM front bumper according to the Toyota service manual.
  - 2) Relocate OEM PTS, bumper grilles and bumper energy absorber to WALD Front Bumper. Process them as necessary.
  - 3) Temporarily fix the attached brackets, bolts, nuts and OEM tapping screws to install WALD Front Bumper to the body.
- ※ Adjust the details of WALD Front Bumper to fit the body by rasps or sandpapers.
- 4) Make holes on WALD Front Bumper according to OEM license plate bracket.
  - 5) Paint WALD Front Bumper according to the picture.

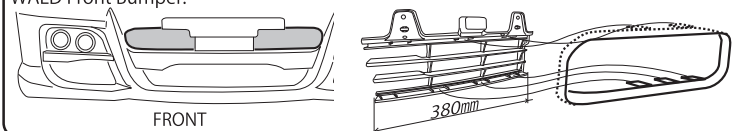


### [AFTER PAINTING]

- 6) Install the attached meshes to WALD Front Bumper.
  - 7) Use the attached bolts and nuts to install the attached fog lamps and fog lamp covers to WALD Front Bumper from the rear according to the picture.
- ※ Adjust optical axis and make sure the fog lamps are fine to work before the installation.
- 8) Temporarily install WALD Front Bumper to the body.  
Check all the details of the fitment, then fix all the brackets, tapping screws, bolts and nuts.

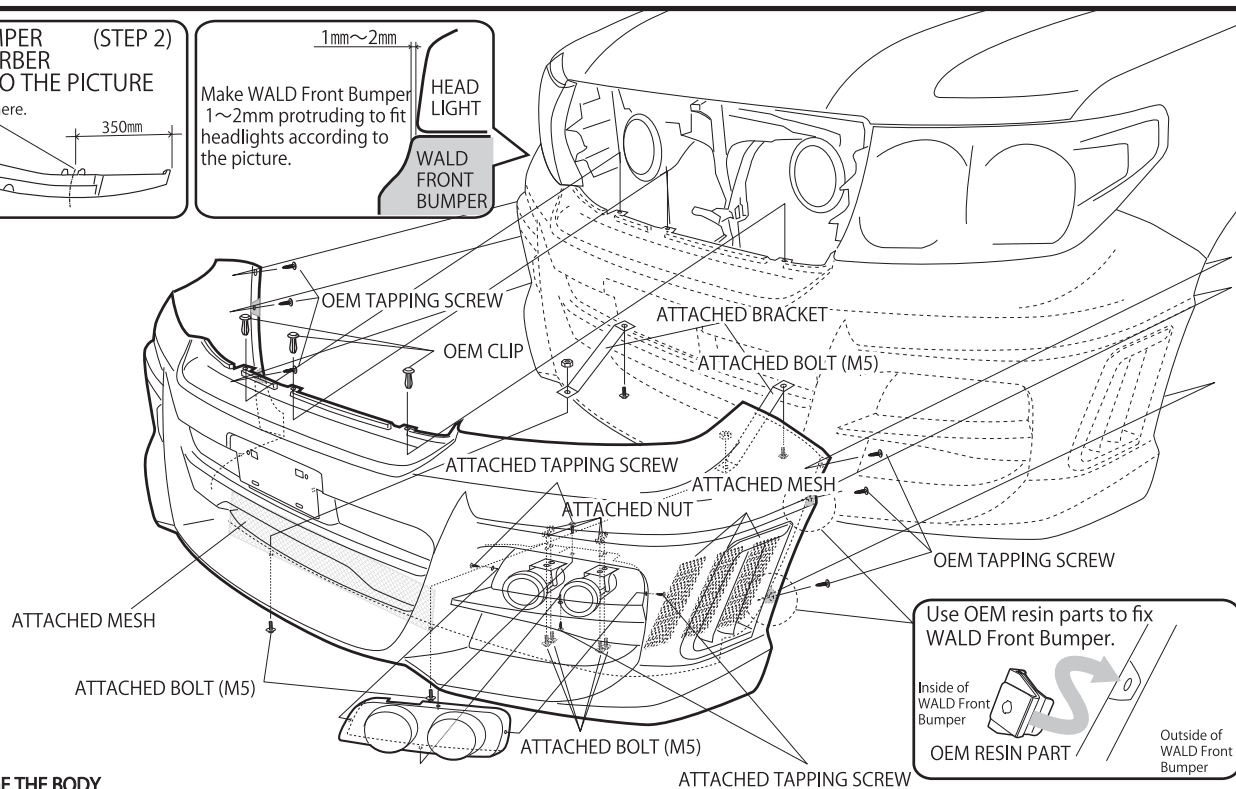
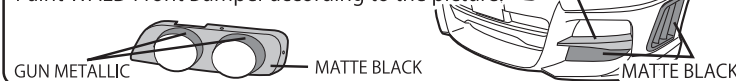
### ■ HOW TO PROCESS OEM BUMPER GRILLES (STEP 2)

Cut OEM bumper grilles from the center side about 380mm according to the picture. Bend pins and use the caulking glue to install OEM bumper grilles to WALD Front Bumper.



### ■ HOW TO PAINT (STEP 5)

Paint WALD Front Bumper according to the picture.



Use OEM resin parts to fix WALD Front Bumper.



ATTENTION ※ MORE THAN 2 TECHNICIANS ARE NECESSARY IN THIS WORK. DURING ALL THE INSTALLATION PROCESS, PLEASE BE CAREFUL NOT TO DAMAGE THE BODY.

# LAND CRUISER UZJ200 URJ202

WALD SPORTS LINE  
BLACK BISON EDITION

INSTALLATION MANUAL  
**WALD**  
Sportliche Autoausrüstung WALD.International

THANK YOU FOR PURCHASING. THIS IS THE INSTALLATION MANUAL OF WALD SIDE STEPS FOR TOYOTA UZJ200/URJ202 LAND CRUISER.  
PLEASE READ THIS MANUAL CAREFULLY BEFORE THE INSTALLATION.

## ATTENTION



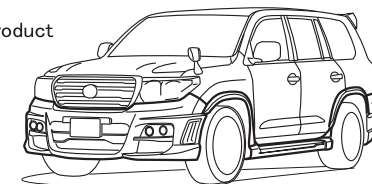
- ※ NO RETURNS CAN BE ACCEPTED BECAUSE OF IMPROPER INSTALLATION OR PAINTING.
- ※ CHECK THE FITMENT, AND ADJUST ALL THE DETAILS BEFORE PAINTING.
- We assume no responsibility for any damage resulting from improper installation, painting, modification and any cut wound in unsealing.
- Contact the car dealer when you have any question in removing OEM parts.
- During all the installation process, use parking brake and stop the engine completely.
- Use rasps or sandpapers to fit the products to the body if there is an individual difference.
- The product is made of FRP. Handle with care. Do not give the excessive force.
- Gradually fix the bolts and nuts by checking the fitment and balance of the installation.
- Check the fitment, and adjust all the details of the fitment steady and proper.
- Please check the fitment and all the details regularly, fix the bolts and nuts as necessary.
- The instruction of painting is just our recommendation, please paint it as you like.
- ※ PLEASE BE AWARE OF:
  - You may lose the warranty and all the services from the car maker, because of replacing OEM parts.
  - Reduced road clearance may cause inconvenience in using parking curbs and garage jack.
  - FRP, ABS and PPE products are slightly weaker than OEM parts in crashes.
  - The product may not match the body and OEM color perfectly.

Please purchase double sided tape, primer and caulking glue at auto accessory shop or hardware store.

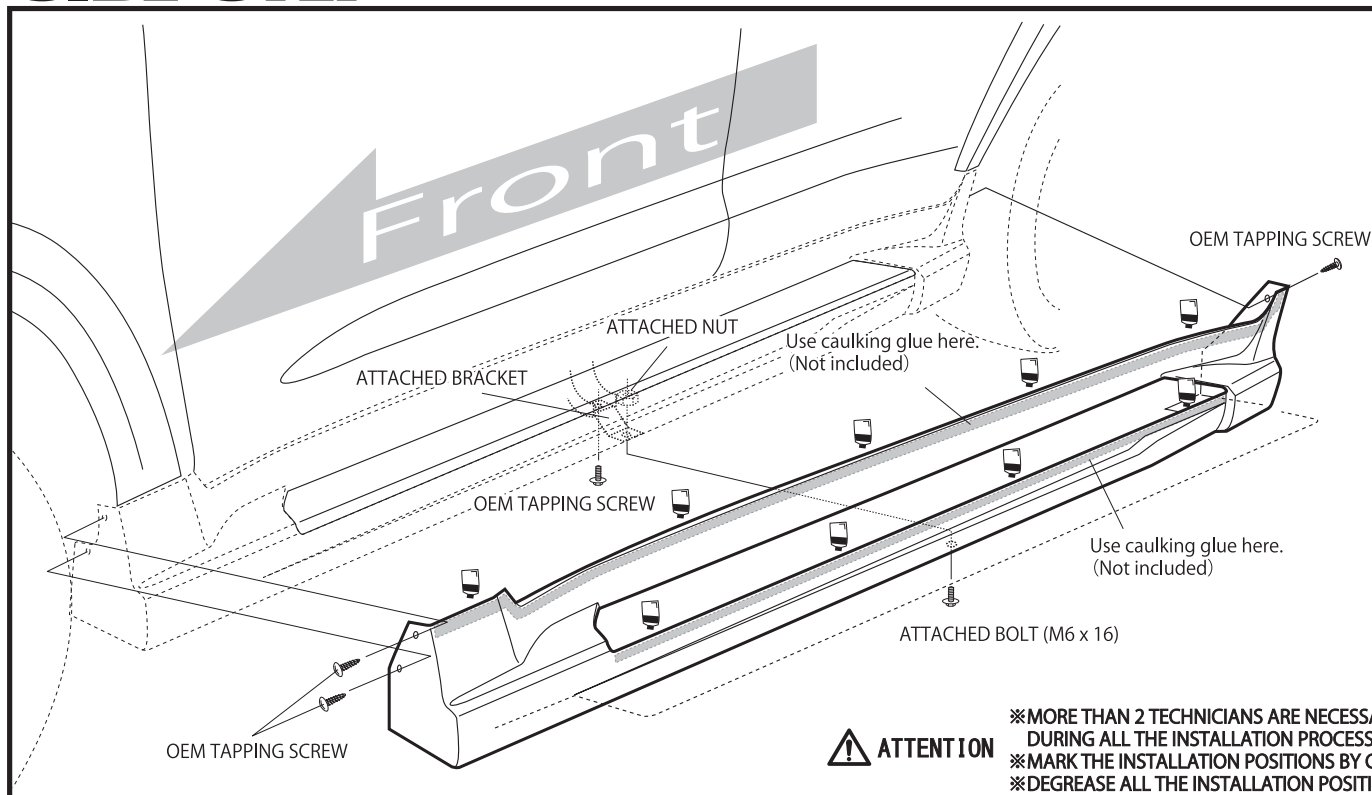
Completely degrease and paint primer on all the installation positions to enhance the viscosity of double sided tape.  
Use dryer to warm double sided tape to enhance the viscosity in low temperature.  
Keep the car in a dry condition more than 24 hours after gluing.  
Do not wash the car during this time.

	PARTS	QUANTITIES
SIDE STEP	SIDE STEPS	1 SET
	BRACKETS	2
	BOLTS (M6 x 16) & NUTS	2 SETS

Use caulking glue to fill the gap between the product and the body.



## SIDE STEP (※Not Available for ZX Grade)



### 【BEFORE PAINTING】

- 1) Temporarily fix the attached brackets, bolts, nuts and OEM tapping screws to install WALD Side Steps to OEM side steps.
- ※ Adjust the details of WALD Side Steps to fit OEM side steps by rasps or sandpapers.

### 【AFTER PAINTING】

- 2) Temporarily fix the attached brackets, bolts, nuts and OEM tapping screws to install WALD Side Steps to OEM side steps.
- 3) Check all the details of the fitment and fix them, then use caulking glue to install WALD Side Steps to the body.



※MORE THAN 2 TECHNICIANS ARE NECESSARY IN THIS WORK.  
DURING ALL THE INSTALLATION PROCESS, PLEASE BE CAREFUL NOT TO DAMAGE THE BODY.  
※MARK THE INSTALLATION POSITIONS BY CHECKING THE FITMENT.  
※DEGREASE ALL THE INSTALLATION POSITIONS BEFORE THE INSTALLATION.

# LAND CRUISER UZJ200 URJ202

WALD SPORTS LINE  
BLACK BISON EDITION

INSTALLATION MANUAL  
**WALD**  
Sportliche Autoausrüstung WALD.International

THANK YOU FOR PURCHASING. THIS IS THE INSTALLATION MANUAL OF WALD REAR BUMPER FOR TOYOTA UZJ200/URJ202 LAND CRUISER. PLEASE READ THIS MANUAL CAREFULLY BEFORE THE INSTALLATION.

ATTENTION



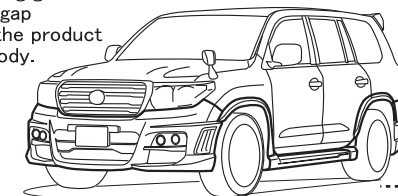
- ※ NO RETURNS CAN BE ACCEPTED BECAUSE OF IMPROPER INSTALLATION OR PAINTING.
- ※ CHECK THE FITMENT, AND ADJUST ALL THE DETAILS BEFORE PAINTING.
- We assume no responsibility for any damage resulting from improper installation, painting, modification and any cut wound in unsealing.
- Contact the car dealer when you have any question in removing OEM parts.
- During all the installation process, use parking brake and stop the engine completely.
- Use rasps or sandpapers to fit the products to the body if there is an individual difference.
- The product is made of FRP. Handle with care. Do not give the excessive force. Gradually fix the bolts and nuts by checking the fitment and balance of the installation.
- Check the fitment, and adjust all the details of the fitment steady and proper. Please check the fitment and all the details regularly, fix the bolts and nuts as necessary.
- The instruction of painting is just our recommendation, please paint it as you like.
- ※ PLEASE BE AWARE OF:
  - You may lose the warranty and all the services from the car maker, because of replacing OEM parts.
  - Reduced road clearance may cause inconvenience in using parking curbs and garage jack.
  - FRP, ABS and PPE products are slightly weaker than OEM parts in crashes.
  - The product may not match the body and OEM color perfectly.

Please purchase double sided tape, primer and caulking glue at auto accessory shop or hardware store.

Completely degrease and paint primer on all the installation positions to enhance the viscosity of double sided tape.  
Use dryer to warm double sided tape to enhance the viscosity in low temperature.  
Keep the car in a dry condition more than 24 hours after gluing.  
Do not wash the car during this time.

	PARTS	QUANTITIES
REAR BUMPER	REAR BUMPER	1
	MESHES	1 SET
	REFLECTORS	2
	REAR UNDER BRACKETS	2
	REAR SIDE BRACKETS	2
	BOLTS (M6 x 16) & NUTS	4 SETS

Use caulking glue to fill the gap between the product and the body.



## REAR BUMPER

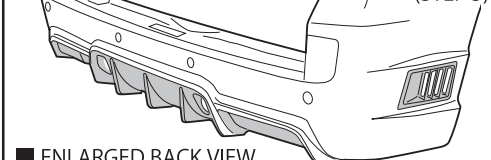
### [BEFORE PAINTING]

- 1) Remove OEM rear bumper according to the Toyota service manual.
- 2) Temporarily fix the attached rear under brackets, rear side brackets, bolts, nuts and OEM bolts to install WALD Rear Bumper to the body.
- ※ Adjust the details of WALD Rear Bumper to fit the body by rasps or sandpapers.
- 3) Remove PTS and use caulking glue to fix them to WALD Rear Bumper from the rear.
- ※ An incorrect installation of PTS may cause a malfunction. Adjust the projections of PTS by processing WALD Rear Bumper from the rear.
- 4) Remove any spare OEM parts according to the picture.
- 5) Paint WALD Rear Bumper according to the picture.

### [AFTER PAINTING]

- 6) Relocate OEM reflectors and step guard to WALD Rear Bumper according to the picture.
- 7) Temporarily fix the attached rear under brackets, rear side brackets, bolts, nuts and OEM bolts to install WALD Rear Bumper to the body.
- 8) Check all the details of the fitment, then fix them.

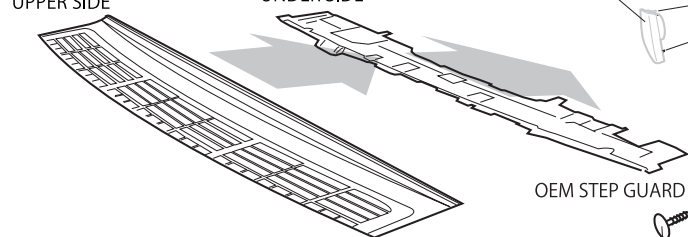
■ WALD SHOWCAR IS PAINTED LIKE THE PICTURE (STEP 5)



■ ENLARGED BACK VIEW

UPPER SIDE

UNDER SIDE



OEM REAR STEP GUARD

OEM REFLECTOR

OEM STEP GUARD BRACKET

OEM BOLT

ATTACHED REFLECTOR

OEM PIN

OEM BOLT

OEM SPACER

OEM PIN / OEM BOLT

ATTACHED MESH

ATTACHED REAR UNDER BRACKET

ATTACHED NUT

ATTACHED NUT

ATTACHED REAR SIDE BRACKET

ATTACHED BOLT (M6 x 16)

OEM BOLT

ATTACHED BOLT (M6 x 16)

OEM REFLECTOR

※ Remove OEM resin parts.

(STEP 4)



ATTENTION ※MORE THAN 2 TECHNICIANS ARE NECESSARY IN THIS WORK. DURING ALL THE INSTALLATION PROCESS, PLEASE BE CAREFUL NOT TO DAMAGE THE BODY. ※PROCESS THE INSTALLATION ACCORDING TO OEM SERVICE MANUAL.



# LAND CRUISER UZJ200 URJ202

WALD SPORTS LINE  
BLACK BISON EDITION

INSTALLATION MANUAL  
**WALD**  
Sportliche Autoausrüstung WALD.International

THANK YOU FOR PURCHASING. THIS IS THE INSTALLATION MANUAL OF WALD REAR GATE SPOILER, ROOF SPOILER AND OVER FENDERS FOR TOYOTA UZJ200/URJ202 LAND CRUISER. PLEASE READ THIS MANUAL CAREFULLY BEFORE THE INSTALLATION.

ATTENTION



- ※ NO RETURNS CAN BE ACCEPTED BECAUSE OF IMPROPER INSTALLATION OR PAINTING.
- ※ CHECK THE FITMENT, AND ADJUST ALL THE DETAILS BEFORE PAINTING.
- We assume no responsibility for any damage resulting from improper installation, painting, modification and any cut wound in unsealing.
- Contact the car dealer when you have any question in removing OEM parts.
- During all the installation process, use parking brake and stop the engine completely.
- Use rasps or sandpapers to fit the products to the body if there is an individual difference.
- The product is made of FRP. Handle with care. Do not give the excessive force. Gradually fix the bolts and nuts by checking the fitment and balance of the installation.
- Check the fitment, and adjust all the details of the fitment steady and proper. Please check the fitment and all the details regularly, fix the bolts and nuts as necessary.
- The instruction of painting is just our recommendation, please paint it as you like.
- ※ PLEASE BE AWARE OF:
  - You may lose the warranty and all the services from the car maker, because of replacing OEM parts.
  - Reduced road clearance may cause inconvenience in using parking curbs and garage jack.
  - FRP, ABS and PPE products are slightly weaker than OEM parts in crashes.
  - The product may not match the body and OEM color perfectly.

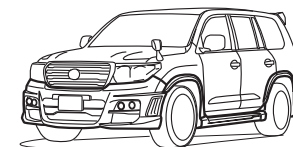
Please purchase double sided tape, primer and caulking glue at auto accessory shop or hardware store.

Completely degrease and paint primer on all the installation positions to enhance the viscosity of double sided tape.

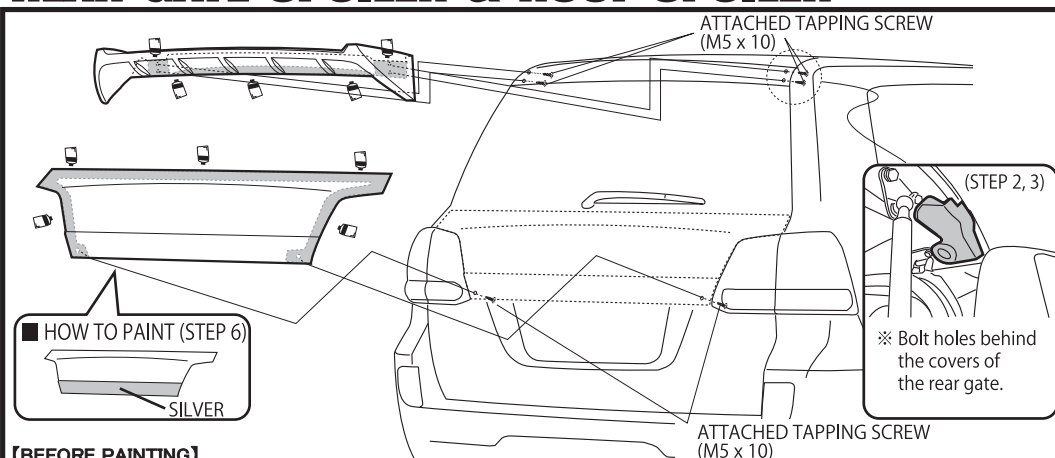
Use dryer to warm double sided tape to enhance the viscosity in low temperature. Keep the car in a dry condition more than 24 hours after gluing. Do not wash the car during this time.

	PARTS	QUANTITIES
ROOF SPOILER	ROOF SPOILER	1
	TAPPING SCREWS (M5 x 10)	4
REAR GATE SPOILER	REAR GATE SPOILER	1
	TAPPING SCREWS (M5 x 10)	2
OVER FENDER	OVER FENDERS	1 SET
	TAPPING SCREWS (M5 x 16)	18
	U-TYPE NUTS	4

Use caulking glue to fill the gap between the product and the body.



## REAR GATE SPOILER & ROOF SPOILER



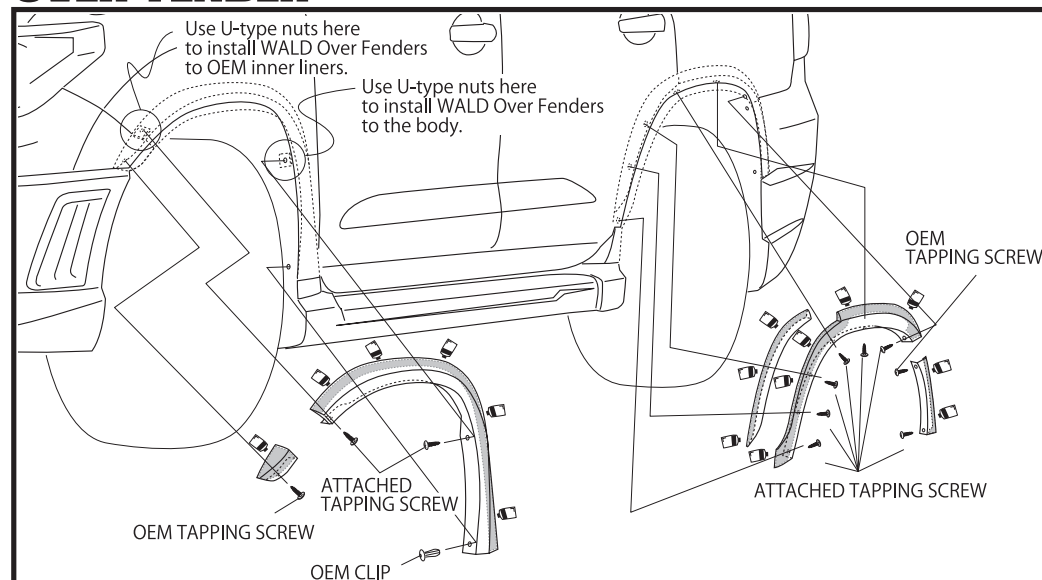
### 【BEFORE PAINTING】

- 1) Temporarily install WALD Rear Gate Spoiler and Roof Spoiler to the body.
- ※ Check all the details of the fitment, then use masking tape to mark the installation positions.
- 2) Mark the installation positions on the body to insert the attached tapping screws according to the picture, then remove WALD Rear Gate Spoiler and Roof Spoiler.
- 3) Make holes on the rear gate from the rear to insert the attached tapping screws.
- ※ Use touch up paint to make corrosion treatment on holes.
- 4) Temporarily install WALD Rear Gate Spoiler and Roof Spoiler to the body, then mark the installation positions on them according to holes of the body.
- 5) Remove WALD Rear Gate Spoiler and Roof Spoiler, then make holes on them.
- 6) Paint WALD Rear Gate Spoiler according to the picture.

### 【AFTER PAINTING】

- 7) Use caulking glue to install WALD Rear Gate Spoiler and Roof Spoiler to the body.
- 8) Check all the details of the fitment, then fix the attached tapping screws.

## OVER FENDER



### 【BEFORE PAINTING】

- 1) Temporarily install WALD Over Fenders to the body.
- 2) Check the fitment, then use masking tape to mark the installation positions.

### 【AFTER PAINTING】

- 3) Use caulking glue to install WALD Over Fenders to the body.
- 4) Check all the details of the fitment, then fix the attached tapping screws and U-type nuts to install WALD Over Fenders to the body.



ATTENTION

※PROCESS EACH SIDE AT A TIME.

※MORE THAN 2 TECHNICIANS ARE NECESSARY IN THIS WORK. DURING ALL THE INSTALLATION PROCESS, PLEASE BE CAREFUL NOT TO DAMAGE THE BODY.

※DEGREASE ALL THE INSTALLATION POSITIONS BEFORE THE INSTALLATION.