

LAND CRUISER PRADO

GDJ150W/TRJ150W
(2017y-)

WALD SPORTS LINE

INSTALLATION MANUAL
WALD
Sportliche Autoausrüstung WALD.International

THANK YOU FOR PURCHASING. THIS IS THE INSTALLATION MANUAL OF WALD FRONT SPOILER FOR TOYOTA LAND CRUISER PRADO.
PLEASE READ THIS MANUAL CAREFULLY BEFORE THE INSTALLATION.

ATTENTION



- ※ NO RETURNS CAN BE ACCEPTED BECAUSE OF IMPROPER INSTALLATION OR PAINTING.
- ※ CHECK THE FITMENT, AND ADJUST ALL THE DETAILS BEFORE PAINTING.
- We assume no responsibility for any damage resulting from improper installation, painting, modification and any cut wound in unsealing.
- Contact the car dealer when you have any question in removing OEM parts.
- During all the installation process, use parking brake and stop the engine completely.
- Use rasps or sandpapers to fit the products to the body if there is an individual difference.
- The product is made of FRP. Handle with care. Do not give the excessive force.
- Gradually fix the bolts and nuts by checking the fitment and balance of the installation.
- Check the fitment, and adjust all the details of the fitment steady and proper.
- Please check the fitment and all the details regularly, fix the bolts and nuts as necessary.
- The instruction of painting is just our recommendation, please paint it as you like.
- ※ PLEASE BE AWARE OF:
- You may lose the warranty and all the services from the car maker, because of replacing OEM parts.
- Reduced road clearance may cause inconvenience in using parking curbs and garage jack.
- FRP, ABS and PPE products are slightly weaker than OEM parts in crashes.
- The product may not match the body and OEM color perfectly.

Please purchase double sided tape, primer and caulking glue at auto accessory shop or hardware store.

Completely degrease and paint primer on all the installation positions to enhance the viscosity of double sided tape.

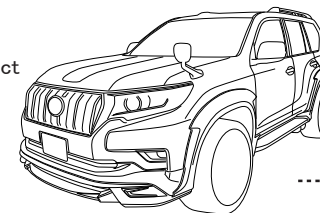
Use dryer to warm double sided tape to enhance the viscosity in low temperature.

Keep the car in a dry condition more than 24 hours after gluing.

Do not wash the car during this time.

	PARTS	QUANTITIES
FRONT SPOILER	FRONT SPOILER	1
	TAPPING SCREWS (M5 x 15)	4
	BRACKET A WITH NUTS	2
	BRACKET B	2
	CHROME ACCENT FOR CENTER	1
	CHROME ACCENT FOR RIGHT AND LEFT	1 SET
	RUBBER MOULDING (Black/Gray)	1

Use caulking glue to fill the gap between the product and the body.



FRONT SPOILER

【BEFORE PAINTING】

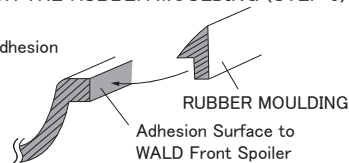
- 1) Temporarily install WALD Front Spoiler to the body with the attached brackets A and B.
(Do not use the double sided tape at this moment)
- ※ Adjust the details of WALD Front Spoiler to fit the body by rasps or sandpapers.
- 2) Check the balance of the installation position of WALD Front Spoiler on OEM Front Bumper.
- 3) Paint WALD Front Spoiler according to the picture (As per enclosure).

【AFTER PAINTING】

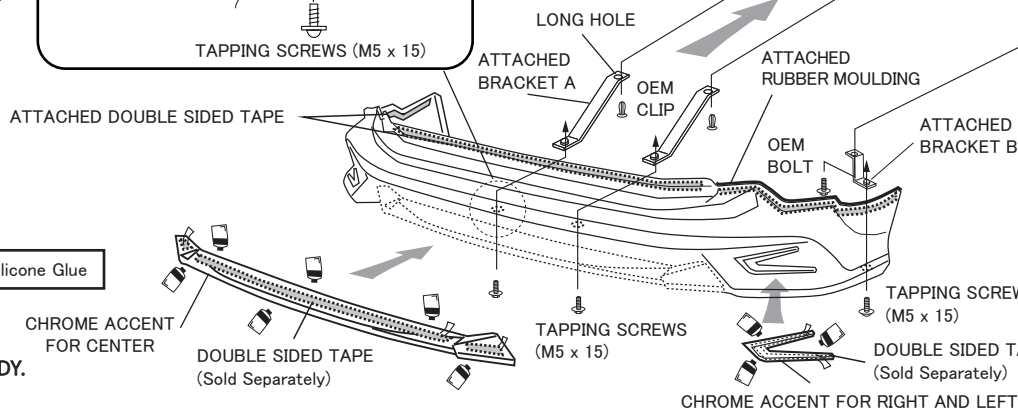
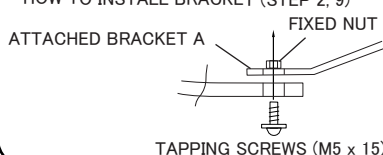
- 4) Attach the rubber moulding on WALD Front Spoiler.
- 5) Completely degrease the installation position.
- 6) Use caulking glue and the double sided tape to install WALD Front Half Spoiler with the attached brackets to OEM front bumper, then fix all the attached tapping screws tightly.
- ※ The ends of the release paper of the double sided tape must be fold to adjust the location.
- 7) Completely degrease the installation position for the attached Chrome Accents.
- 8) Use caulking glue and the double sided tape to fix the chrome accents on WALD Front Spoiler.
- 9) Leave it till completely fixed.

■ HOW TO ATTACH THE RUBBER MOULDING (STEP 5)

Apply primer on the adhesion surface of WALD Front Spoiler before attaching the rubber mouldings.

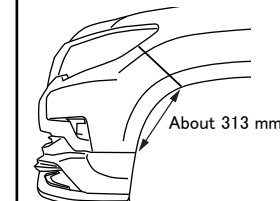


PICTURE 1 HOW TO INSTALL BRACKET (STEP 2, 9)



※All the widths are only for a reference.

PICTURE 2 LOCATION OF WALD FRONT SPOILER



Straight Line from the borderline between OEM front bumper and fender to WALD Front Spoiler.

※Type of Adhesive : Use the Silicone Glue

ATTENTION

- ※ MORE THAN 2 TECHNICIANS ARE NECESSARY IN THIS WORK.
- DURING ALL THE INSTALLATION PROCESS, PLEASE BE CAREFUL NOT TO DAMAGE THE BODY.
- ※ ADJUST ALL THE DETAILS OF OUR PRODUCTS TO FIT ON A CAR PERFECTLY.

LAND CRUISER PRADO

GDJ150W/TRJ150W
(2017y-)

WALD SPORTS LINE

INSTALLATION MANUAL
WALD
Sportliche Autoausrüstung WALD.International

THANK YOU FOR PURCHASING. THIS IS THE INSTALLATION MANUAL OF WALD REAR SKIRT FOR TOYOTA LAND CRUISER PRADO.
PLEASE READ THIS MANUAL CAREFULLY BEFORE THE INSTALLATION.

ATTENTION



- ※ NO RETURNS CAN BE ACCEPTED BECAUSE OF IMPROPER INSTALLATION OR PAINTING.
- ※ CHECK THE FITMENT, AND ADJUST ALL THE DETAILS BEFORE PAINTING.
- We assume no responsibility for any damage resulting from improper installation, painting, modification and any cut wound in unsealing.
- Contact the car dealer when you have any question in removing OEM parts.
- During all the installation process, use parking brake and stop the engine completely.
- Use rasps or sandpapers to fit the products to the body if there is an individual difference.
- The product is made of FRP. Handle with care. Do not give the excessive force. Gradually fix the bolts and nuts by checking the fitment and balance of the installation.
- Check the fitment, and adjust all the details of the fitment steady and proper. Please check the fitment and all the details regularly, fix the bolts and nuts as necessary.
- The instruction of painting is just our recommendation, please paint it as you like.
- ※ PLEASE BE AWARE OF:
- You may lose the warranty and all the services from the car maker, because of replacing OEM parts.
- Reduced road clearance may cause inconvenience in using parking curbs and garage jack.
- FRP, ABS and PPE products are slightly weaker than OEM parts in crashes.
- The product may not match the body and OEM color perfectly.

Please purchase double sided tape, primer and caulking glue at auto accessory shop or hardware store.

Completely degrease and paint primer on all the installation positions to enhance the viscosity of double sided tape.

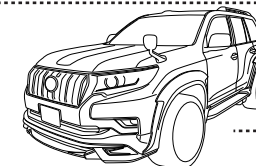
Use dryer to warm double sided tape to enhance the viscosity in low temperature.

Keep the car in a dry condition more than 24 hours after gluing.

Do not wash the car during this time.

	PARTS	QUANTITIES
REAR SKIRT	REAR SKIRT with BRACKET	1
	CHROME ACCENT FOR CENTER	1
	CHROME ACCENT FOR RIGHT AND LEFT	1 SET
	REFLECTOR Right and Left	1 SET
	TAPPING SCREWS (M4 x 16)	2
	SMOOTHING PANEL (Not for installing LED Lamp)	1
OPTION PARTS	RUBBER MOULDING (Black/Gray)	1 SET
	PATTERN PAPER	1
	MUFFLER ADAPTOR	1
	LED LAMP WITH TAPPING SCREWS	1

Use caulking glue to fill the gap between the product and the body.



REAR SKIRT

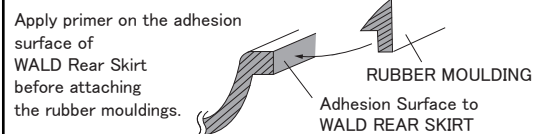
【BEFORE PAINTING】

- 1) Mark the installation location (Height) with the attached pattern paper.
- 2) Temporarily install WALD Rear Skirt to the body with the attached brackets.
- 3) See Picture 2 for the installation location.
- ※ Adjust the details of WALD Rear Skirt to fit the body by rasps or sandpapers.
- 4) Check the balance of the installation position of WALD Rear Skirt on OEM rear bumper.
- 5) Make 24mm Diameter Holes according to the cutting line on WALD Rear Skirt for the car equipping PTS.
- 6) Paint WALD Rear Skirt according to the picture (As per enclosure).

【AFTER PAINTING】

- 7) According the Picture 3, fix the attached Rubber Moulding and Reflectors on WALD Rear Skirt.
- 8) Completely degrease the installation position, then fix the attached Smoothing Panel with the caulking glue.
- ※ For a Car installed LED Stop Lamp, prepare the harness to use it as the Back Fog Lamp.
- 9) "Completely degrease the installation position of WALD Rear Skirt and OEM rear bumper."
- 10) Use caulking glue and the attached double-sided tape to install WALD Rear Skirt to OEM rear bumper, then fix all screws and bolts tightly.
- ※ Fold the both ends of release paper of double sided tape to adjust the location.
- 11) Fix the attached Chrome Accent on WALD Rear Skirt with caulking glue and the attached double-sided tape.
- 12) Check all the details of the fitment.
- 13) Leave it till completely fixed.

■ HOW TO ATTACH THE RUBBER MOULDING (STEP 7)

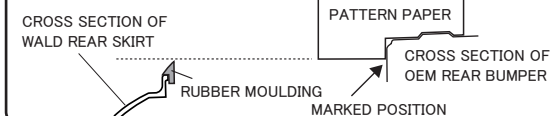


ATTENTION

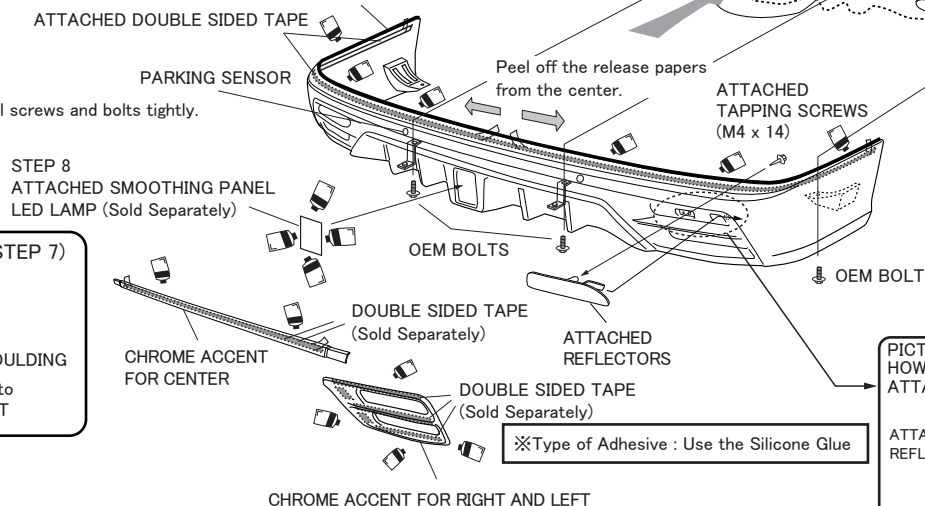
- ※ MORE THAN 2 TECHNICIANS ARE NECESSARY IN THIS WORK.
- ※ DURING ALL THE INSTALLATION PROCESS, PLEASE BE CAREFUL NOT TO DAMAGE THE BODY.
- ※ MAKE SURE THE ATTACHED LED LAMPS IS FINE TO WORK BEFORE THE INSTALLATION
- ※ ADJUST ALL THE DETAILS OF OUR PRODUCTS TO FIT ON A CAR PERFECTLY.

PICTURE 1 LOCATION OF WALD REAR SKIRT

※Need to adjust the proper location because of the individual difference of a car. Match the bottom of the pattern paper and top of the rubber moulding.



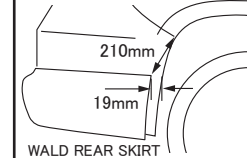
STEP 8 ATTACHED SMOOTHING PANEL LED LAMP (Sold Separately)



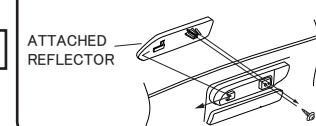
※Type of Adhesive : Use the Silicone Glue

※All the widths are only for a reference.

PICTURE 2 LOCATION FOR THE FENDER SIDE



PICTURE 3 HOW TO FIX THE ATTACHED REFLECTORS



THANK YOU FOR PURCHASING. THIS IS THE INSTALLATION MANUAL OF WALD OVER FENDER FOR TOYOTA LAND CRUISER PRADO.
PLEASE READ THIS MANUAL CAREFULLY BEFORE THE INSTALLATION.

ATTENTION



- ※ NO RETURNS CAN BE ACCEPTED BECAUSE OF IMPROPER INSTALLATION OR PAINTING.
- ※ CHECK THE FITMENT, AND ADJUST ALL THE DETAILS BEFORE PAINTING.
- We assume no responsibility for any damage resulting from improper installation, painting, modification and any cut wound in unsealing.
- Contact the car dealer when you have any question in removing OEM parts.
- During all the installation process, use parking brake and stop the engine completely.
- Use rasps or sandpapers to fit the products to the body if there is an individual difference.
- The product is made of FRP. Handle with care. Do not give the excessive force.
- Gradually fix the bolts and nuts by checking the fitment and balance of the installation.
- Check the fitment, and adjust all the details of the fitment steady and proper.
- Please check the fitment and all the details regularly, fix the bolts and nuts as necessary.
- The instruction of painting is just our recommendation, please paint it as you like.
- ※ PLEASE BE AWARE OF:
- You may lose the warranty and all the services from the car maker, because of replacing OEM parts.
- Reduced road clearance may cause inconvenience in using parking curbs and garage jack.
- FRP, ABS and PPE products are slightly weaker than OEM parts in crashes.
- The product may not match the body and OEM color perfectly.

Please purchase double sided tape, primer and caulking glue at auto accessory shop or hardware store.

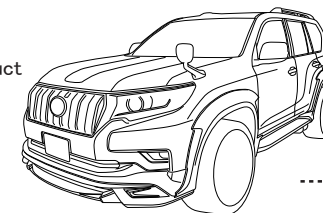
Completely degrease and paint primer on all the installation positions to enhance the viscosity of double sided tape.

Use dryer to warm double sided tape to enhance the viscosity in low temperature.
Keep the car in a dry condition more than 24 hours after gluing.
Do not wash the car during this time.

	PARTS	QUANTITIES
FRONT OVER FENDER	FRONT OVER FENDER	1 SET
	RUBBER MOULDING (Black/Gray)	1



Use caulking glue to fill the gap between the product and the body.



FRONT OVER FENDER

【BEFORE PAINTING】

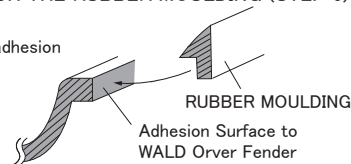
- ※ The picture shows for Left Side, and install on the Right Side as same as for Left Side.
- 1) Temporarily fix the attached WALD Front Over Fender according to the PICTURE 1, 2 and 3.
- ※ Adjust the details of WALD Front Over Fenders to fit the body by rasps or sandpapers.
- 2) Use the OEM Tapping Screws to install WALD Front Over Fenders on the body temporarily.
Check if opening the doors or not.
- 3) Use the masking tape to mark the location of WALD Front Over Fenders on the body.
- 4) Paint WALD Front Over Fenders according to the picture (As per enclosure).

【AFTER PAINTING】

- 5) Completely degrease the installation positions, then fix the attached rubber mouldings on WALD Front Over Fenders.
- 6) Completely degrease the installation positions, then use caulking glue to install WALD Front Over Fenders to the body.
- 7) Check all the details of the fitment, then tighten the OEM Tapping Screws..
- 8) Leave it till completely fixed.

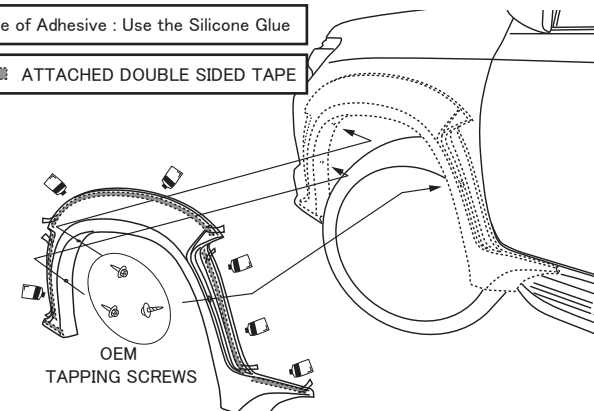
■ HOW TO ATTACH THE RUBBER MOULDING (STEP 6)

Apply primer on the adhesion surface of WALD Over Fender before attaching the rubber mouldings.

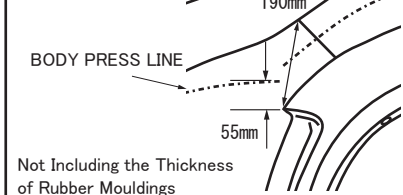


※Type of Adhesive : Use the Silicone Glue

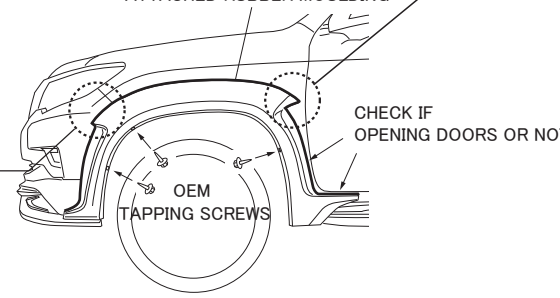
■ ATTACHED DOUBLE SIDED TAPE



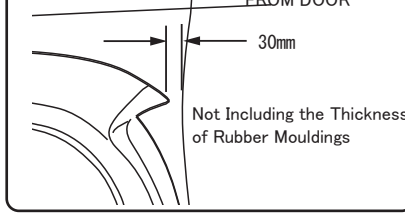
PICTURE 2
LOCATION OF
WALD FRONT
OVER FENDER



PICTURE 1
ATTACHED RUBBER MOULDING



PICTURE 3
BODY PRESS LINE
FROM DOOR



※All the widths are only for a reference.

ATTENTION

- ※ MORE THAN 2 TECHNICIANS ARE NECESSARY IN THIS WORK.
- ※ DURING ALL THE INSTALLATION PROCESS, PLEASE BE CAREFUL NOT TO DAMAGE THE BODY.
- ※ REMOVE THE BATTERY BEFORE ALL THE WIRING WORKS.
- ※ ADJUST ALL THE DETAILS OF OUR PRODUCTS TO FIT ON A CAR PERFECTLY.

THANK YOU FOR PURCHASING. THIS IS THE INSTALLATION MANUAL OF WALD OVER FENDER FOR TOYOTA LAND CRUISER PRADO.
PLEASE READ THIS MANUAL CAREFULLY BEFORE THE INSTALLATION.

ATTENTION



- ※ NO RETURNS CAN BE ACCEPTED BECAUSE OF IMPROPER INSTALLATION OR PAINTING.
- ※ CHECK THE FITMENT, AND ADJUST ALL THE DETAILS BEFORE PAINTING.
- We assume no responsibility for any damage resulting from improper installation, painting, modification and any cut wound in unsealing.
- Contact the car dealer when you have any question in removing OEM parts.
- During all the installation process, use parking brake and stop the engine completely.
- Use rasps or sandpapers to fit the products to the body if there is an individual difference.
- The product is made of FRP. Handle with care. Do not give the excessive force.
- Gradually fix the bolts and nuts by checking the fitment and balance of the installation.
- Check the fitment, and adjust all the details of the fitment steady and proper.
- Please check the fitment and all the details regularly, fix the bolts and nuts as necessary.
- The instruction of painting is just our recommendation, please paint it as you like.
- ※ PLEASE BE AWARE OF:
- You may lose the warranty and all the services from the car maker, because of replacing OEM parts.
- Reduced road clearance may cause inconvenience in using parking curbs and garage jack.
- FRP, ABS and PPE products are slightly weaker than OEM parts in crashes.
- The product may not match the body and OEM color perfectly.

Please purchase double sided tape, primer and caulking glue at auto accessory shop or hardware store.

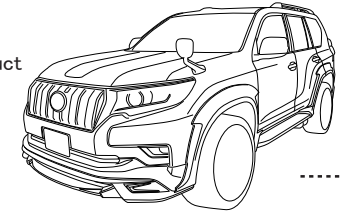
Completely degrease and paint primer on all the installation positions to enhance the viscosity of double sided tape.

Use dryer to warm double sided tape to enhance the viscosity in low temperature.
Keep the car in a dry condition more than 24 hours after gluing.
Do not wash the car during this time.

	PARTS	QUANTITIES
REAR OVER FENDER	REAR OVER FENDER	1 SET
	RUBBER MOULDING (Black/Gray)	1
	TAPPING SCREWS (M4 x 16)	2



Use caulking glue to fill the gap between the product and the body.



REAR OVER FENDER

【BEFORE PAINTING】

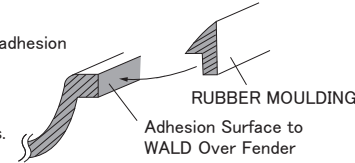
- ※ The picture shows for Left Side, and install on the Right Side as same as for Left Side.
- 1) Temporarily fix the attached WALD Rear Over Fender according to the PICTURE 1, 2, 3 and 4. (In Order to Part A→B→C)
- 2) Put Part A of WALD Rear Over Fender on the body according to Picture 3.
- ※ Adjust the details of WALD Rear Over Fenders to fit the body by rasps or sandpapers.
- 3) Use the attached screws to install Mark the installation position, then mark the holes for the attached tapping screws.
- 4) Take off the Part A from the body, and make holes according to the marked positions.
- 5) Use the masking tape to mark the location of WALD Rear Over Fenders on the body.
- 6) Paint WALD Rear Over Fenders according to the picture (As per enclosure).

【AFTER PAINTING】

- 7) Completely degrease the installation positions, then fix the attached rubber mouldings on WALD Rear Over Fenders.
- 8) Completely degrease the installation positions, then use caulking glue to install WALD Rear Over Fenders to the body.
- 9) Check all the details of the fitment, then tighten the OEM Tapping Screws.
- 10) Leave it till completely fixed.

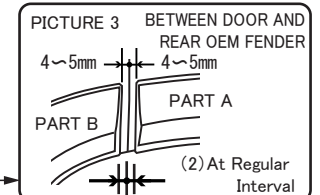
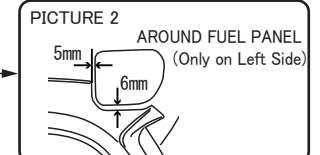
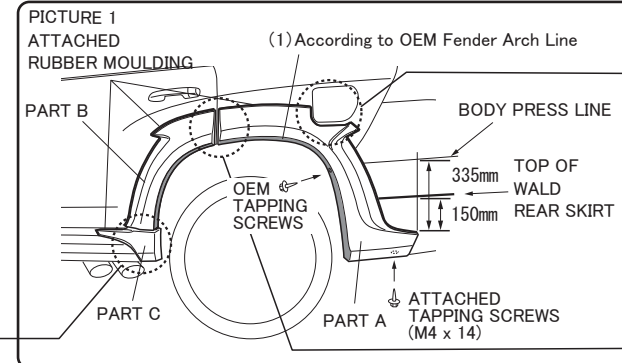
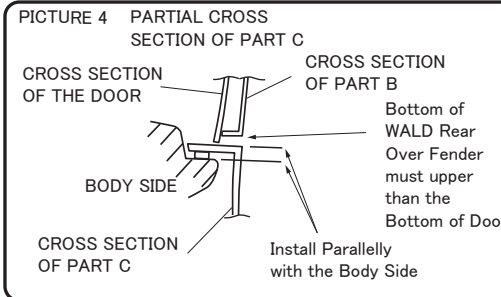
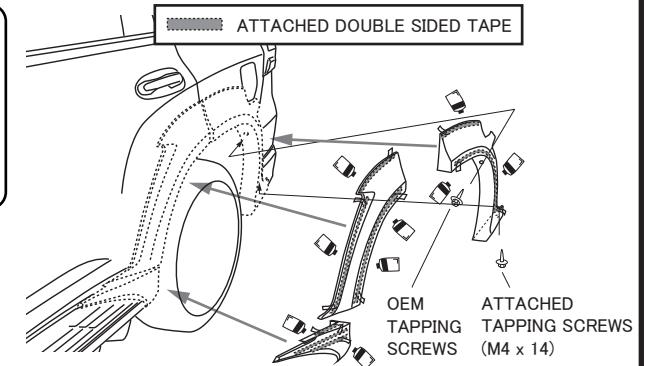
■ HOW TO ATTACH THE RUBBER MOULDING (STEP 6)

Apply primer on the adhesion surface of WALD Over Fender before attaching the rubber mouldings.



※All the widths are only for a reference.

※Type of Adhesive : Use the Silicone Glue



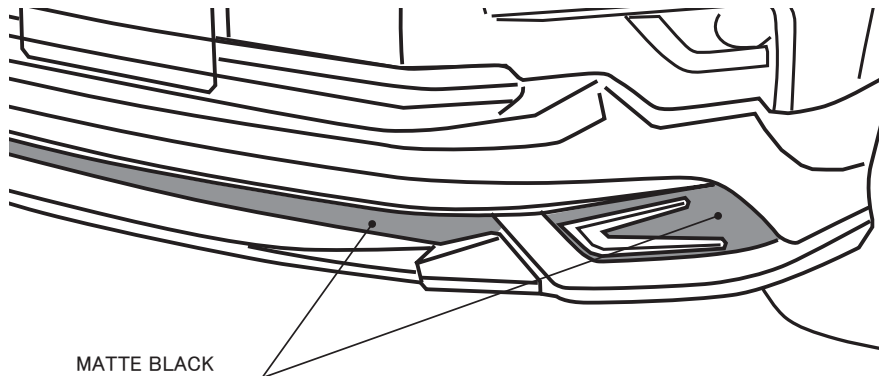
ATTENTION

- ※ MORE THAN 2 TECHNICIANS ARE NECESSARY IN THIS WORK.
- ※ DURING ALL THE INSTALLATION PROCESS, PLEASE BE CAREFUL NOT TO DAMAGE THE BODY.
- ※ REMOVE THE BATTERY BEFORE ALL THE WIRING WORKS.
- ※ ADJUST ALL THE DETAILS OF OUR PRODUCTS TO FIT ON A CAR PERFECTLY.

HOW TO PAINT WALD BODY PARTS

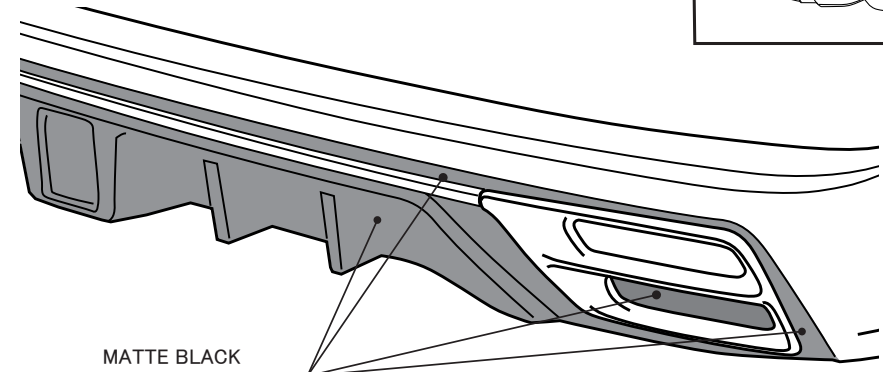
FRONT SPOILER

STEP 4



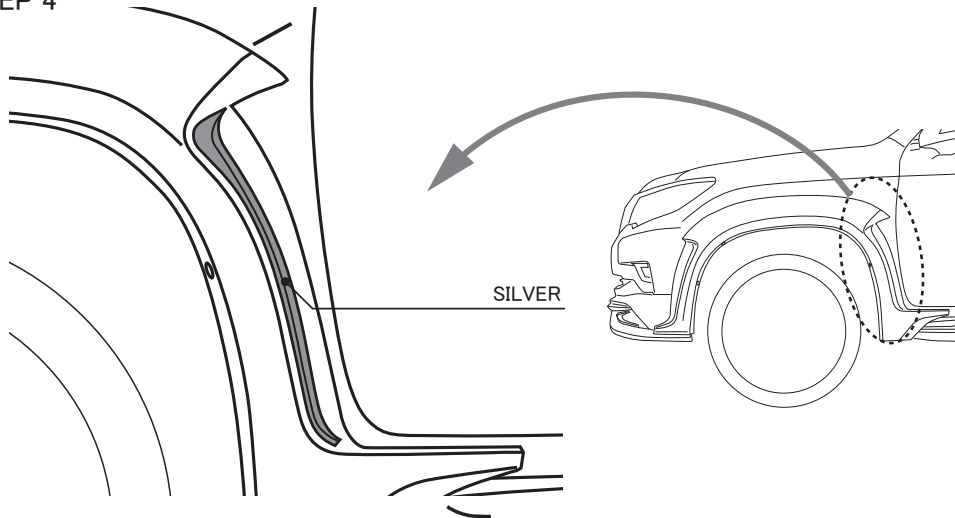
REAR SKIRT

STEP 6



FRONT OVER FENDER

STEP 4



REAR OVER FENDER

STEP 5

