

THANK YOU FOR PURCHASING. THIS IS THE INSTALLATION MANUAL OF WALD FRONT HALF SPOILER FOR LEXUS NX.
PLEASE READ THIS MANUAL CAREFULLY BEFORE THE INSTALLATION.

ATTENTION



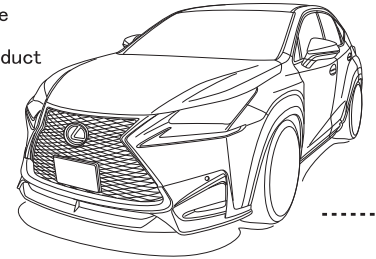
- ※ NO RETURNS CAN BE ACCEPTED BECAUSE OF IMPROPER INSTALLATION OR PAINTING.
- ※ CHECK THE FITMENT, AND ADJUST ALL THE DETAILS BEFORE PAINTING.
- We assume no responsibility for any damage resulting from improper installation, painting, modification and any cut wound in unsealing.
- Contact the car dealer when you have any question in removing OEM parts.
- During all the installation process, use parking brake and stop the engine completely.
- Use rasps or sandpapers to fit the products to the body if there is an individual difference.
- The product is made of FRP. Handle with care. Do not give the excessive force. Gradually fix the bolts and nuts by checking the fitment and balance of the installation.
- Check the fitment, and adjust all the details of the fitment steady and proper. Please check the fitment and all the details regularly, fix the bolts and nuts as necessary.
- The instruction of painting is just our recommendation, please paint it as you like.
- ※ PLEASE BE AWARE OF:
- You may lose the warranty and all the services from the car maker, because of replacing OEM parts.
- Reduced road clearance may cause inconvenience in using parking curbs and garage jack.
- FRP, ABS and PPE products are slightly weaker than OEM parts in crashes.
- The product may not match the body and OEM color perfectly.

Please purchase double sided tape, primer and caulking glue at auto accessory shop or hardware store.

Completely degrease and paint primer on all the installation positions to enhance the viscosity of double sided tape.
Use dryer to warm double sided tape to enhance the viscosity in low temperature.
Keep the car in a dry condition more than 24 hours after gluing.
Do not wash the car during this time.

	PARTS	QUANTITIES
FRONT HALF SPOILER	FRONT HALF SPOILER	1
	MESH	1 SET

Use caulking glue to fill the gap between the product and the body.



FRONT HALF SPOILER

[BEFORE PAINTING]

- 1) Remove OEM lip spoiler according to the Lexus service manual.
- 2) Temporarily install WALD Front Half Spoiler to the body.
- ※ Adjust the details of WALD Front Half Spoiler to fit the body by rasps or sandpapers.
- 3) Check the balance of the installation position of WALD Front Half Spoiler on OEM front bumper.
- 4) Paint WALD Front Half Spoiler according to the picture.

[AFTER PAINTING]

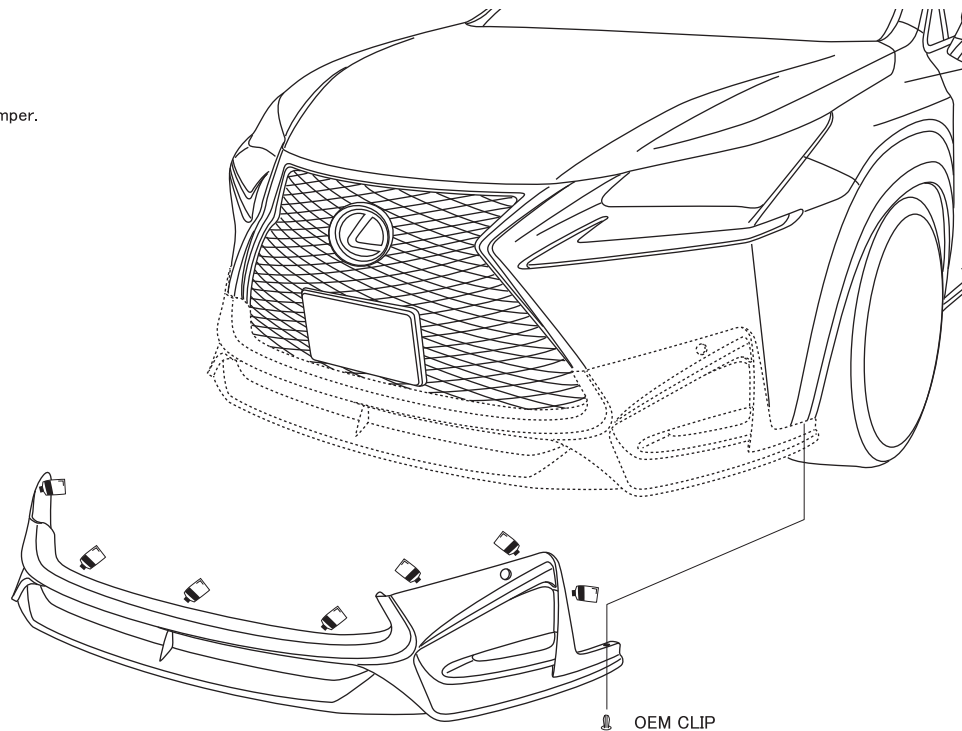
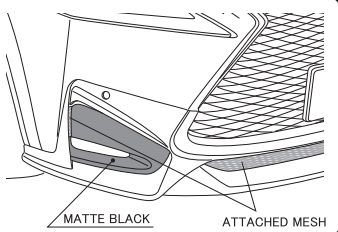
- 5) Install the attached meshes with caulking glue to WALD Front Half Spoiler from the rear.
- 6) Completely degrease the installation position.
- 7) Use caulking glue to install WALD Front Half Spoiler to the body.
- 8) Check all the details of the fitment, leave it till completely fixed.

※ WALD SHOWCAR IS PAINTED LIKE THE PICTURE (STEP 4)

HOW TO INSTALL THE ATTACHED MESHES (STEP 5)

Paint the Center Duct Mesh in the same color of OEM Mesh.
Use pins and caulking glue to install the attached meshes to WALD Front Half Spoiler from the rear.

※Paint the inside of the ducts and pins in black.



ATTENTION

- ※ MORE THAN 2 TECHNICIANS ARE NECESSARY IN THIS WORK.
- ※ DURING ALL THE INSTALLATION PROCESS, PLEASE BE CAREFUL NOT TO DAMAGE THE BODY.
- ※ ADJUST ALL THE DETAILS OF OUR PRODUCTS TO FIT ON A CAR PERFECTLY.

WALD INTERNATIONAL

THANK YOU FOR PURCHASING. THIS IS THE INSTALLATION MANUAL OF WALD REAR SKIRT FOR LEXUS NX.
PLEASE READ THIS MANUAL CAREFULLY BEFORE THE INSTALLATION.

ATTENTION



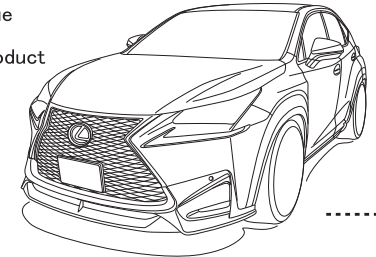
- ※ NO RETURNS CAN BE ACCEPTED BECAUSE OF IMPROPER INSTALLATION OR PAINTING.
- ※ CHECK THE FITMENT, AND ADJUST ALL THE DETAILS BEFORE PAINTING.
- We assume no responsibility for any damage resulting from improper installation, painting, modification and any cut wound in unsealing.
- Contact the car dealer when you have any question in removing OEM parts.
- During all the installation process, use parking brake and stop the engine completely.
- Use rasps or sandpapers to fit the products to the body if there is an individual difference.
- The product is made of FRP. Handle with care. Do not give the excessive force. Gradually fix the bolts and nuts by checking the fitment and balance of the installation.
- Check the fitment, and adjust all the details of the fitment steady and proper. Please check the fitment and all the details regularly, fix the bolts and nuts as necessary.
- The instruction of painting is just our recommendation, please paint it as you like.
- ※ PLEASE BE AWARE OF:
- You may lose the warranty and all the services from the car maker, because of replacing OEM parts.
- Reduced road clearance may cause inconvenience in using parking curbs and garage jack.
- FRP, ABS and PPE products are slightly weaker than OEM parts in crashes.
- The product may not match the body and OEM color perfectly.

Please purchase double sided tape, primer and caulking glue at auto accessory shop or hardware store.

Completely degrease and paint primer on all the installation positions to enhance the viscosity of double sided tape.
Use dryer to warm double sided tape to enhance the viscosity in low temperature.
Keep the car in a dry condition more than 24 hours after gluing.
Do not wash the car during this time.

	PARTS	QUANTITIES
REAR SKIRT	REAR SKIRT	1
	LED LAMP WITH NUTS	2
	BOLTS (M5 x 15) & NUTS	8 SETS
	WASHERS	8

Use caulking glue to fill the gap between the product and the body.



REAR SKIRT

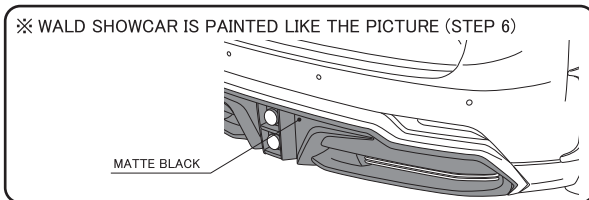
[BEFORE PAINTING]

- 1) Remove OEM rear bumper according to the Lexus service manual.
- 2) Remove OEM rear diffuser from OEM rear bumper, then replace the necessary parts to WALD Rear Skirt. (As per enclosures)
- 3) Temporarily install WALD Rear Skirt to OEM rear bumper. (As per enclosures)
- ※ Adjust the details of WALD Rear Skirt to fit OEM rear bumper by rasps or sandpapers.
- ※ For NX200t Model, need to take off OEM muffler cutter, and install WALD Muffler Adaptor (Sold Separately)
- 4) Check the balance of the installation position of WALD Rear Skirt on OEM rear bumper.
- 5) Prepare to connect the attached LED lamps.
- 6) Paint WALD Rear Skirt according to the picture.

[AFTER PAINTING]

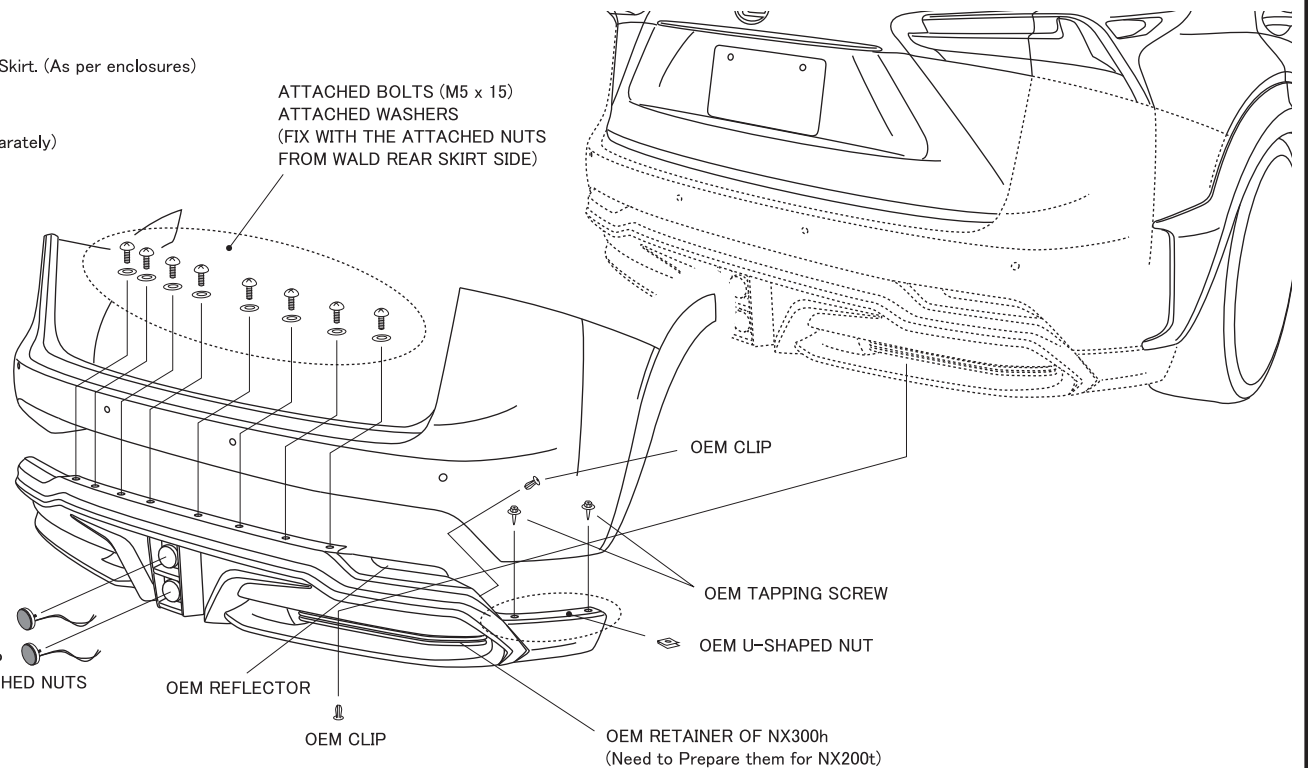
- 7) Fix all the necessary parts on WALD Rear Skirt.
- 8) Install the attached LED lamps on WALD Rear Skirt.
- ※ Make sure the LED lamps are fine to work before the installation.
- 9) Check the installation position of WALD Rear Skirt.
- 10) Check all the details of the fitment.
- 11) Connect the Harness of LED lamps, then install OEM rear bumper to the body.

※ WALD SHOWCAR IS PAINTED LIKE THE PICTURE (STEP 6)



ATTENTION

- ※ MORE THAN 2 TECHNICIANS ARE NECESSARY IN THIS WORK.
- DURING ALL THE INSTALLATION PROCESS, PLEASE BE CAREFUL NOT TO DAMAGE THE BODY.
- ※ ADJUST ALL THE DETAILS OF OUR PRODUCTS TO FIT ON A CAR PERFECTLY.



THIS IS THE INSTALLATION MANUAL FOR HOW TO INSTALL WALD REAR SKIRT WITH OEM REAR BUMPER.

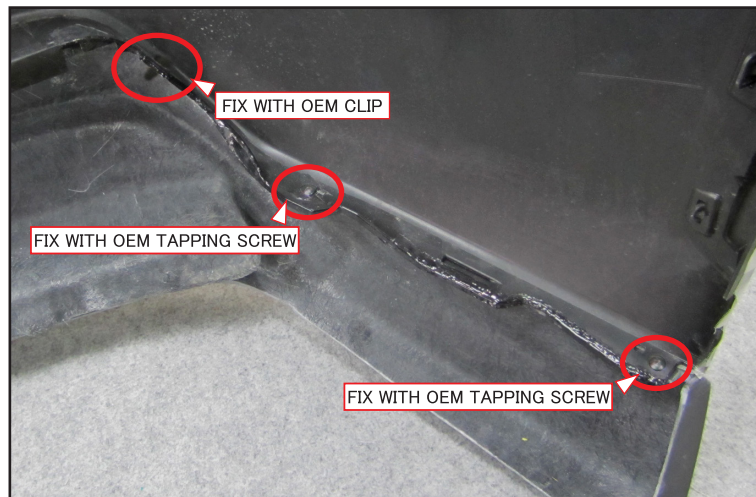
HOW TO INSTALL WALD REAR SKIRT



Use the attached bolts, washers and nuts to fix WALD Rear Skirt to OEM rear bumper at the Red-Circled Center Part (8 Points).



Washer must be on OEM rear bumper side, and nut must be on WALD Rear Skirt side.



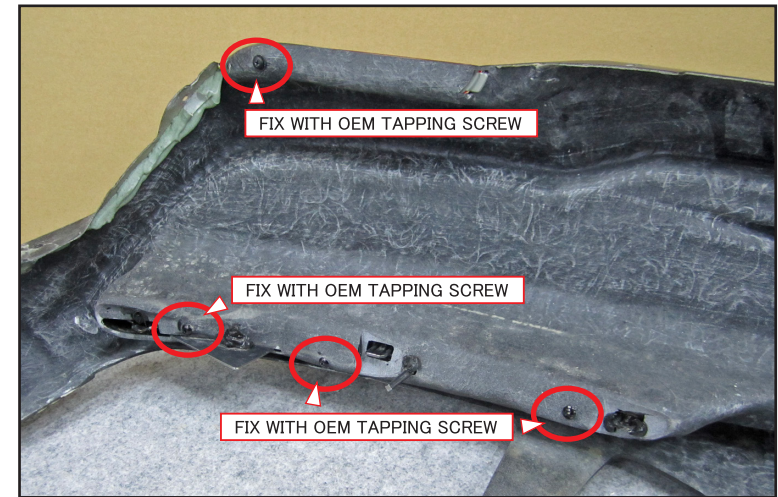
Use OEM tapping screws and clips on the side part.
※Fix OEM U-Shaped nuts for the location of OEM tapping screws.

THIS IS THE INSTALLATION MANUAL FOR HOW TO INSTALL WALD REAR SKIRT WITH OEM REAR BUMPER.

HOW TO REPLACE OEM PARTS



Fix OEM reflectors and 300h retainers on WALD Rear Skirt in the same way of OEM parts installation.
※Need to purchase OEM 300h retainers for 200t model. (Parts# : 52566-78010/52565-78010)



Use OEM tapping screws from the inside of WALD Rear Skirt.
※Recommend to use caulking glue to fix the joint part to prevent dropping-off.



Need to purchase Muffler Adaptor (Sold Separately) for the installaion on 200t model.

THANK YOU FOR PURCHASING. THIS IS THE INSTALLATION MANUAL OF WALD ARROW-HEAD PANEL FOR LEXUS NX.
PLEASE READ THIS MANUAL CAREFULLY BEFORE THE INSTALLATION.

ATTENTION




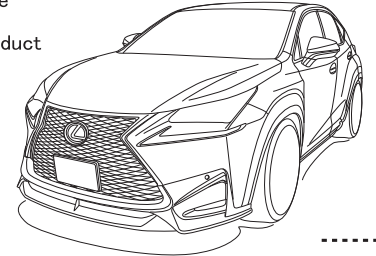
- ※ NO RETURNS CAN BE ACCEPTED BECAUSE OF IMPROPER INSTALLATION OR PAINTING.
- ※ CHECK THE FITMENT, AND ADJUST ALL THE DETAILS BEFORE PAINTING.
- We assume no responsibility for any damage resulting from improper installation, painting, modification and any cut wound in unsealing.
- Contact the car dealer when you have any question in removing OEM parts.
- During all the installation process, use parking brake and stop the engine completely.
- Use rasps or sandpapers to fit the products to the body if there is an individual difference.
- The product is made of FRP. Handle with care. Do not give the excessive force. Gradually fix the bolts and nuts by checking the fitment and balance of the installation.
- Check the fitment, and adjust all the details of the fitment steady and proper. Please check the fitment and all the details regularly, fix the bolts and nuts as necessary.
- The instruction of painting is just our recommendation, please paint it as you like.
- ※ PLEASE BE AWARE OF:
- You may lose the warranty and all the services from the car maker, because of replacing OEM parts.
- Reduced road clearance may cause inconvenience in using parking curbs and garage jack.
- FRP, ABS and PPE products are slightly weaker than OEM parts in crashes.
- The product may not match the body and OEM color perfectly.

Please purchase double sided tape, primer and caulking glue at auto accessory shop or hardware store.

Completely degrease and paint primer on all the installation positions to enhance the viscosity of double sided tape.
Use dryer to warm double sided tape to enhance the viscosity in low temperature.
Keep the car in a dry condition more than 24 hours after gluing.
Do not wash the car during this time.

	PARTS	QUANTITIES
ARROW-HEAD PANEL	ARROW-HEAD PANELS	1 SET

 Use caulking glue to fill the gap between the product and the body.



ARROWHEAD PANEL

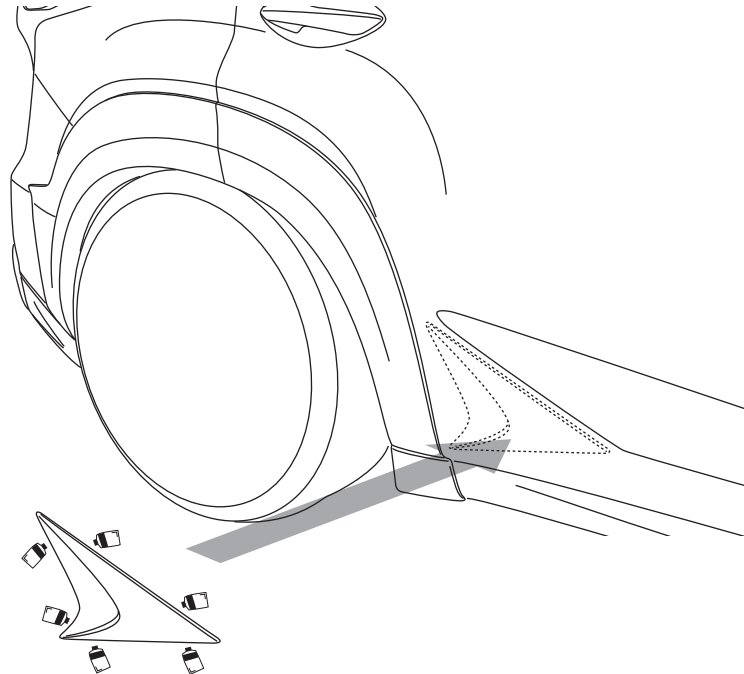
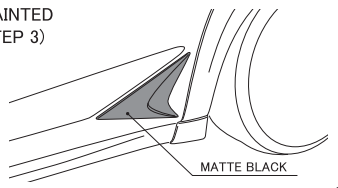
【BEFORE PAINTING】

- 1) Temporarily install WALD Arrow-Head Panels to the body.
- ※ Adjust the details of WALD Arrow-Head Panels to fit the body by rasps or sandpapers.
- 2) Use masking tape to mark the installation positions.
- 3) Paint WALD Arrow-Head Panels according to the picture.

【AFTER PAINTING】

- 4) Completely degrease the installation positions.
- 5) Use caulking glue to fix WALD Arrow-Head Panels according to the marked positions.
- 6) Leave them till completely fixed.

※ WALD SHOWCAR IS PAINTED LIKE THE PICTURE (STEP 3)



ATTENTION

- ※ MORE THAN 2 TECHNICIANS ARE NECESSARY IN THIS WORK.
- ※ DURING ALL THE INSTALLATION PROCESS, PLEASE BE CAREFUL NOT TO DAMAGE THE BODY.
- ※ ADJUST ALL THE DETAILS OF OUR PRODUCTS TO FIT ON A CAR PERFECTLY.


WALD.INTERNAIONAL

THANK YOU FOR PURCHASING. THIS IS THE INSTALLATION MANUAL OF WALD OVER FENDER FOR LEXUS NX.
PLEASE READ THIS MANUAL CAREFULLY BEFORE THE INSTALLATION.

ATTENTION



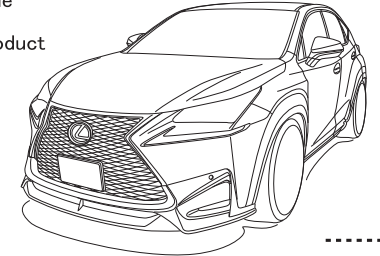
- ※ NO RETURNS CAN BE ACCEPTED BECAUSE OF IMPROPER INSTALLATION OR PAINTING.
- ※ CHECK THE FITMENT, AND ADJUST ALL THE DETAILS BEFORE PAINTING.
- We assume no responsibility for any damage resulting from improper installation, painting, modification and any cut wound in unsealing.
- Contact the car dealer when you have any question in removing OEM parts.
- During all the installation process, use parking brake and stop the engine completely.
- Use rasps or sandpapers to fit the products to the body if there is an individual difference.
- The product is made of FRP. Handle with care. Do not give the excessive force. Gradually fix the bolts and nuts by checking the fitment and balance of the installation.
- Check the fitment, and adjust all the details of the fitment steady and proper. Please check the fitment and all the details regularly, fix the bolts and nuts as necessary.
- The instruction of painting is just our recommendation, please paint it as you like.
- ※ PLEASE BE AWARE OF:
- You may lose the warranty and all the services from the car maker, because of replacing OEM parts.
- Reduced road clearance may cause inconvenience in using parking curbs and garage jack.
- FRP, ABS and PPE products are slightly weaker than OEM parts in crashes.
- The product may not match the body and OEM color perfectly.

Please purchase double sided tape, primer and caulking glue at auto accessory shop or hardware store.

Completely degrease and paint primer on all the installation positions to enhance the viscosity of double sided tape.
Use dryer to warm double sided tape to enhance the viscosity in low temperature.
Keep the car in a dry condition more than 24 hours after gluing.
Do not wash the car during this time.

	PARTS	QUANTITIES
OVER FENDER	OVER FENDERS	1 SET

Use caulking glue to fill the gap between the product and the body.



OVER FENDER

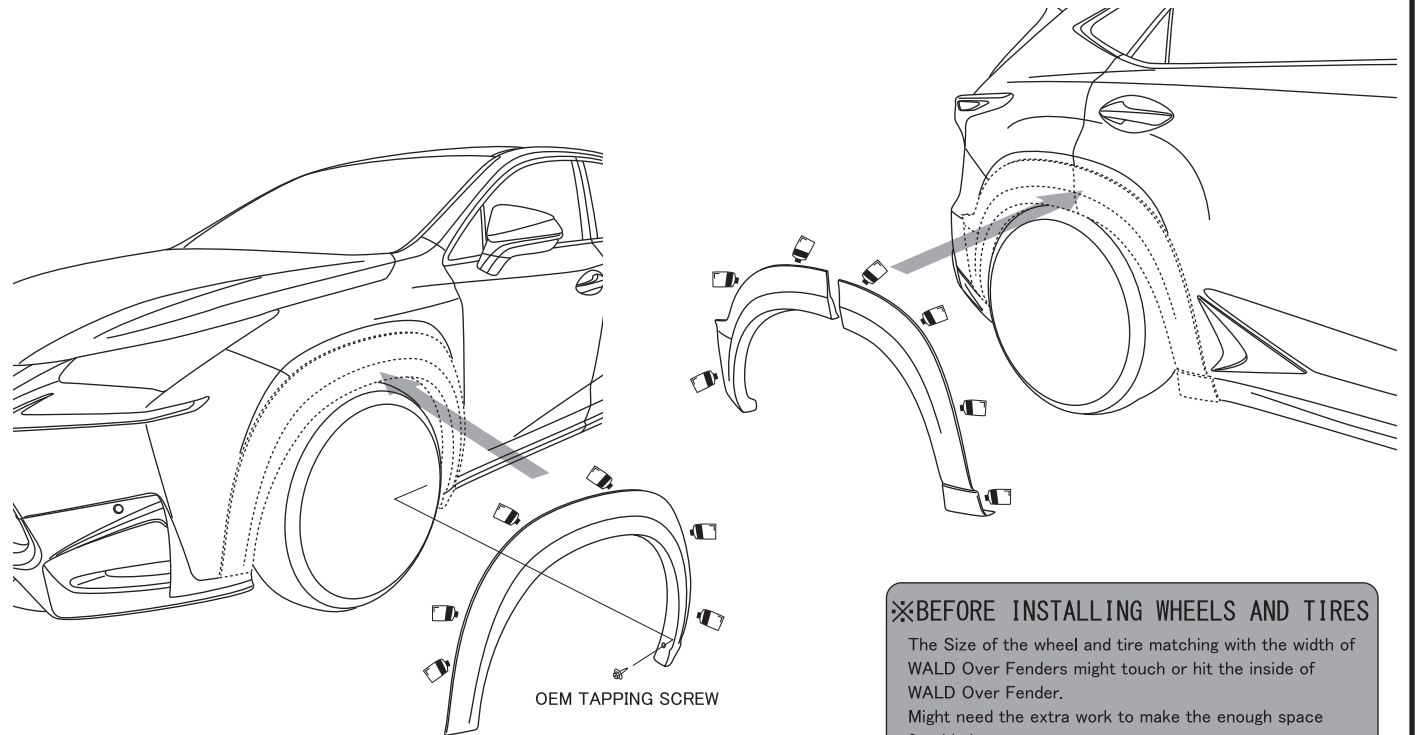
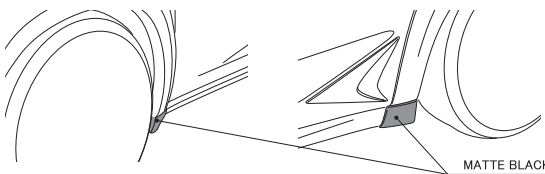
[BEFORE PAINTING]

- 1) Temporarily install WALD Over Fenders to the body.
- ※ Adjust the details of WALD Over Fenders to fit the body by rasps or sandpapers.
- 2) Use masking tape to mark the installation positions, papers.
- 3) Paint WALD Over Fenders according to the picture.

[AFTER PAINTING]

- 4) Completely degrease the installation positions.
- 5) Use caulking glue to fix WALD Over Fenders according to the marked positions.
- 6) Leave them till completely fixed.

※WALD SHOWCAR IS PAINTED LIKE THE PICTURE (STEP 3)



※BEFORE INSTALLING WHEELS AND TIRES

The Size of the wheel and tire matching with the width of WALD Over Fenders might touch or hit the inside of WALD Over Fender.
Might need the extra work to make the enough space for this issue.

ATTENTION

- ※ MORE THAN 2 TECHNICIANS ARE NECESSARY IN THIS WORK.
- ※ DURING ALL THE INSTALLATION PROCESS, PLEASE BE CAREFUL NOT TO DAMAGE THE BODY.
- ※ ADJUST ALL THE DETAILS OF OUR PRODUCTS TO FIT ON A CAR PERFECTLY.

THANK YOU FOR PURCHASING. THIS IS THE INSTALLATION MANUAL OF WALD REAR GATE SPOILER FOR LEXUS NX.
PLEASE READ THIS MANUAL CAREFULLY BEFORE THE INSTALLATION.

ATTENTION




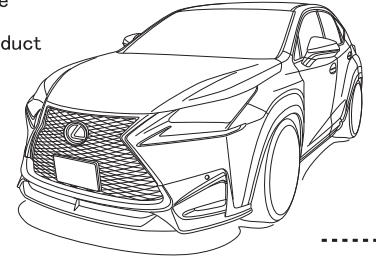
- ※ NO RETURNS CAN BE ACCEPTED BECAUSE OF IMPROPER INSTALLATION OR PAINTING.
- ※ CHECK THE FITMENT, AND ADJUST ALL THE DETAILS BEFORE PAINTING.
- We assume no responsibility for any damage resulting from improper installation, painting, modification and any cut wound in unsealing.
- Contact the car dealer when you have any question in removing OEM parts.
- During all the installation process, use parking brake and stop the engine completely.
- Use rasps or sandpapers to fit the products to the body if there is an individual difference.
- The product is made of FRP. Handle with care. Do not give the excessive force. Gradually fix the bolts and nuts by checking the fitment and balance of the installation.
- Check the fitment, and adjust all the details of the fitment steady and proper. Please check the fitment and all the details regularly, fix the bolts and nuts as necessary.
- The instruction of painting is just our recommendation, please paint it as you like.
- ※ PLEASE BE AWARE OF:
- You may lose the warranty and all the services from the car maker, because of replacing OEM parts.
- Reduced road clearance may cause inconvenience in using parking curbs and garage jack.
- FRP, ABS and PPE products are slightly weaker than OEM parts in crashes.
- The product may not match the body and OEM color perfectly.

Please purchase double sided tape, primer and caulking glue at auto accessory shop or hardware store.

Completely degrease and paint primer on all the installation positions to enhance the viscosity of double sided tape.
Use dryer to warm double sided tape to enhance the viscosity in low temperature.
Keep the car in a dry condition more than 24 hours after gluing.
Do not wash the car during this time.

	PARTS	QUANTITIES
REAR GATE SPOILER	REAR GATE SPOILER	1

 Use caulking glue to fill the gap between the product and the body.



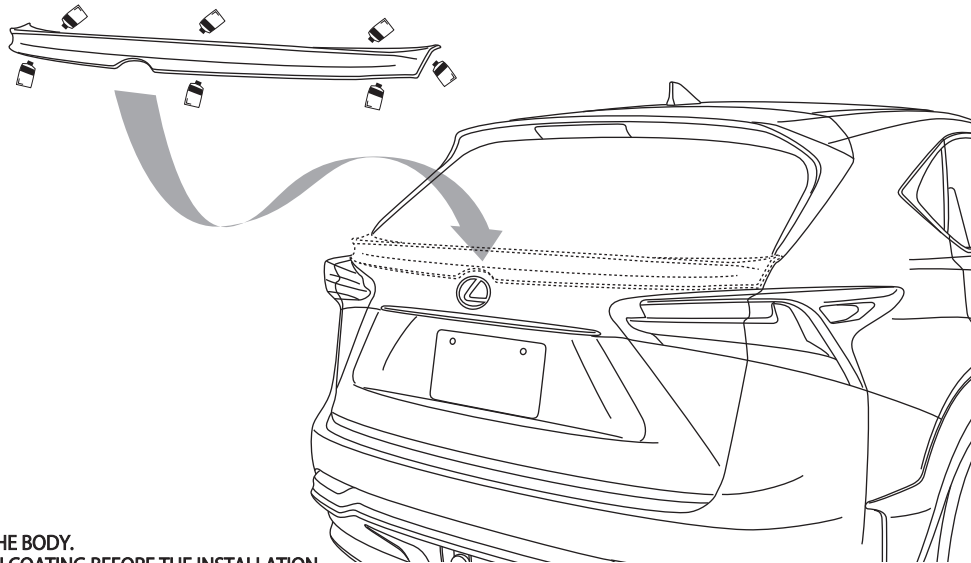
REAR GATE SPOILER

[BEFORE PAINTING]

- 1) Temporarily install WALD Rear Gate Spoiler to the body.
- 2) Check the fitment, then use masking tape to mark the installation position.

[AFTER PAINTING]

- 3) Completely degrease the installation position.
- 4) Use caulking glue to install WALD Rear Gate Spoiler to the body according to the marked position.
- 5) Check all the details of the fitment, and leave it till completely fixed.



ATTENTION

- ※ MORE THAN 2 TECHNICIANS ARE NECESSARY IN THIS WORK.
- ※ DURING ALL THE INSTALLATION PROCESS, PLEASE BE CAREFUL NOT TO DAMAGE THE BODY.
- ※ DEGREASE ALL THE INSTALLATION POSITION, AND REMOVE THE BODY PROTECTION COATING BEFORE THE INSTALLATION.