

THANK YOU FOR PURCHASING. THIS IS THE INSTALLATION MANUAL OF WALD FRONT HALF SPOILER FOR LEXUS RX F-SPORT.
PLEASE READ THIS MANUAL CAREFULLY BEFORE THE INSTALLATION.

ATTENTION




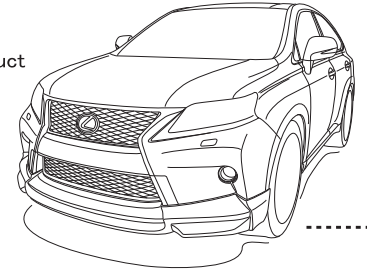
- ※ NO RETURNS CAN BE ACCEPTED BECAUSE OF IMPROPER INSTALLATION OR PAINTING.
- ※ CHECK THE FITMENT, AND ADJUST ALL THE DETAILS BEFORE PAINTING.
- We assume no responsibility for any damage resulting from improper installation, painting, modification and any cut wound in unsealing.
- Contact the car dealer when you have any question in removing OEM parts.
- During all the installation process, use parking brake and stop the engine completely.
- Use rasps or sandpapers to fit the products to the body if there is an individual difference.
- The product is made of FRP. Handle with care. Do not give the excessive force. Gradually fix the bolts and nuts by checking the fitment and balance of the installation.
- Check the fitment, and adjust all the details of the fitment steady and proper. Please check the fitment and all the details regularly, fix the bolts and nuts as necessary.
- The instruction of painting is just our recommendation, please paint it as you like.
- ※ PLEASE BE AWARE OF:
- You may lose the warranty and all the services from the car maker, because of replacing OEM parts.
- Reduced road clearance may cause inconvenience in using parking curbs and garage jack.
- FRP, ABS and PPE products are slightly weaker than OEM parts in crashes.
- The product may not match the body and OEM color perfectly.

Please purchase double sided tape, primer and caulking glue at auto accessory shop or hardware store.

Completely degrease and paint primer on all the installation positions to enhance the viscosity of double sided tape.
Use dryer to warm double sided tape to enhance the viscosity in low temperature.
Keep the car in a dry condition more than 24 hours after gluing.
Do not wash the car during this time.

	PARTS	QUANTITIES
FRONT HALF SPOILER	FRONT HALF SPOILER	1
	TAPPING SCREWS (M4 x 13)	4

 Use caulking glue to fill the gap between the product and the body.



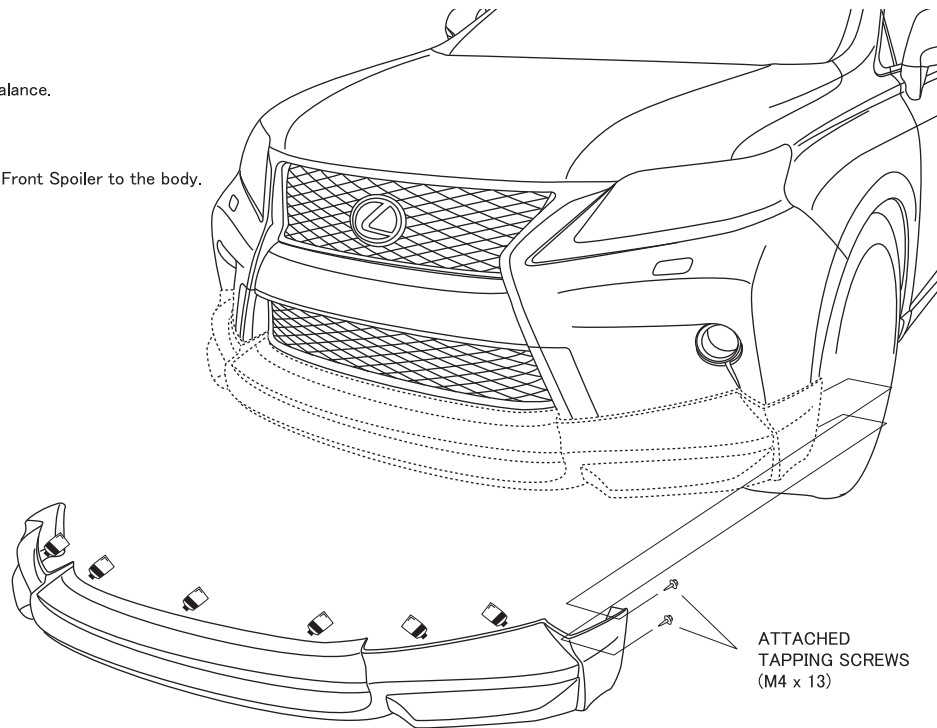
FRONT HALF SPOILER

[BEFORE PAINTING]

- 1) Temporarily install WALD Front Spoiler to the body.
- ※ Adjust the details of WALD Front Spoiler to fit the body by rasps or sandpapers.
- 2) Mark the location of the holes for the attached tapping screws after checking the balance.
- 3) Take off WALD Front Spoiler, then make holes according to the marked positions.

[AFTER PAINTING]

- 4) Completely degrease the installation position, then use calking glue to install WALD Front Spoiler to the body.
- 5) Temporarily put WALD Front Spoiler to the body.
- 6) Check all the details of the fitment, then tighten the attached tapping screws.
- 7) Leave it till completely fixed.



ATTENTION

- ※ MORE THAN 2 TECHNICIANS ARE NECESSARY IN THIS WORK. DURING ALL THE INSTALLATION PROCESS, PLEASE BE CAREFUL NOT TO DAMAGE THE BODY.
- ※ DEGREASE ALL THE INSTALLATION POSITIONS, AND REMOVE THE BODY PROTECTION COATING BEFORE THE INSTALLATION.
- ※ ADJUST ALL THE DETAILS OF OUR PRODUCTS TO FIT ON A CAR PERFECTLY.

THANK YOU FOR PURCHASING. THIS IS THE INSTALLATION MANUAL OF WALD REAR SKIRT FOR LEXUS RX F-SPORT.
PLEASE READ THIS MANUAL CAREFULLY BEFORE THE INSTALLATION.

ATTENTION



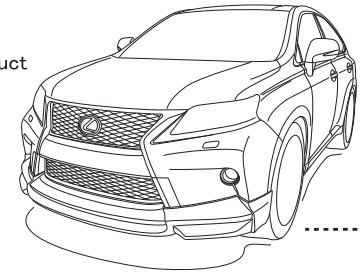
- ※ NO RETURNS CAN BE ACCEPTED BECAUSE OF IMPROPER INSTALLATION OR PAINTING.
- ※ CHECK THE FITMENT, AND ADJUST ALL THE DETAILS BEFORE PAINTING.
- We assume no responsibility for any damage resulting from improper installation, painting, modification and any cut wound in unsealing.
- Contact the car dealer when you have any question in removing OEM parts.
- During all the installation process, use parking brake and stop the engine completely.
- Use rasps or sandpapers to fit the products to the body if there is an individual difference.
- The product is made of FRP. Handle with care. Do not give the excessive force. Gradually fix the bolts and nuts by checking the fitment and balance of the installation.
- Check the fitment, and adjust all the details of the fitment steady and proper. Please check the fitment and all the details regularly, fix the bolts and nuts as necessary.
- The instruction of painting is just our recommendation, please paint it as you like.
- ※ PLEASE BE AWARE OF:
- You may lose the warranty and all the services from the car maker, because of replacing OEM parts.
- Reduced road clearance may cause inconvenience in using parking curbs and garage jack.
- FRP, ABS and PPE products are slightly weaker than OEM parts in crashes.
- The product may not match the body and OEM color perfectly.

Please purchase double sided tape, primer and caulking glue at auto accessory shop or hardware store.

Completely degrease and paint primer on all the installation positions to enhance the viscosity of double sided tape.
Use dryer to warm double sided tape to enhance the viscosity in low temperature.
Keep the car in a dry condition more than 24 hours after gluing.
Do not wash the car during this time.

	PARTS	QUANTITIES
REAR SKIRT	REAR SKIRT	1
	BRACKETS	2
	TAPPING SCREWS (M4 x 13)	4
	BOLTS (M5 x 15) & NUTS	2 SETS
OPTION PARTS	LED LAMP	1

Use caulking glue to fill the gap between the product and the body.

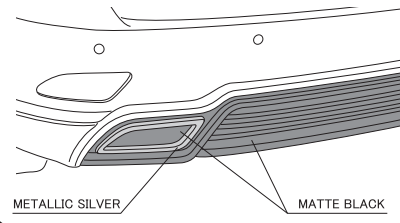


REAR SKIRT

[BEFORE PAINTING]

- 1) Temporarily install WALD Rear Skirt to the body with the attached brackets.
- ※ Adjust the details of WALD Rear Skirt to fit the body by rasps or sandpapers.
- 2) Mark the location of the holes for the attached tapping screws after checking the balance.
- 3) To avoid the exhaust gas, install WALD Muffler Adaptor (Sold Separately) to OEM exhaust pipe.
- 4) Take off WALD Rear Skirt, then make holes according to the marked positions.
- 5) Paint WALD Rear Skirt according to the picture.

※ WALD SHOWCAR IS PAINTED LIKE THE PICTURE (STEP 5)



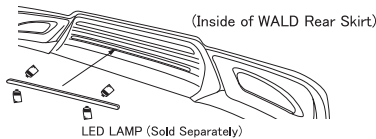
[AFTER PAINTING]

- 6) Completely degrease the installation position, then use caulking glue to install WALD Rear Skirt to the body.
- 7) Check all the details of the fitment, then fix the attached tapping screws, bolts and nuts.
- 8) Leave it till completely fixed.

Do not install WALD Muffler Adaptor when OEM exhaust pipe is heated.

■ HOW TO INSTALL THE OPTION LED LAMP

Cut WALD Rear Skirt to make the space for the Option LED Lamp, and fix it from the rear with caulking glue.
※ To glue the Option LED Lamp, make the space smaller than the Option LED Lamp.



⚠ ATTENTION

- ※ MORE THAN 2 TECHNICIANS ARE NECESSARY IN THIS WORK. DURING ALL THE INSTALLATION PROCESS, PLEASE BE CAREFUL NOT TO DAMAGE THE BODY.
- ※ DEGREASE ALL THE INSTALLATION POSITIONS, AND REMOVE THE BODY PROTECTION COATING BEFORE THE INSTALLATION.
- ※ ADJUST ALL THE DETAILS OF OUR PRODUCTS TO FIT ON A CAR PERFECTLY.

