

# LAND CRUISER UZJ200W 2012y~

WALD SPORTS LINE  
BLACK BISON EDITION

INSTALLATION MANUAL  
**WALD**  
Sportliche Autoausrüstung WALD International

THANK YOU FOR PURCHASING. THIS IS THE INSTALLATION MANUAL OF WALD FRONT BUMPER FOR TOYOTA UZJ200W LAND CRUISER. PLEASE READ THIS MANUAL CAREFULLY BEFORE THE INSTALLATION.

## ATTENTION



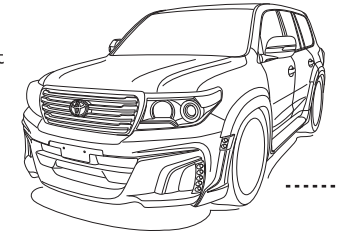
- ※ NO RETURNS CAN BE ACCEPTED BECAUSE OF IMPROPER INSTALLATION OR PAINTING.
- ※ CHECK THE FITMENT, AND ADJUST ALL THE DETAILS BEFORE PAINTING.
- We assume no responsibility for any damage resulting from improper installation, painting, modification and any cut wound in unsealing.
- Contact the car dealer when you have any question in removing OEM parts.
- During all the installation process, use parking brake and stop the engine completely.
- Use rasps or sandpapers to fit the products to the body if there is an individual difference.
- The product is made of FRP. Handle with care. Do not give the excessive force. Gradually fix the bolts and nuts by checking the fitment and balance of the installation.
- Check the fitment, and adjust all the details of the fitment steady and proper. Please check the fitment and all the details regularly, fix the bolts and nuts as necessary.
- The instruction of painting is just our recommendation, please paint it as you like.
- ※ PLEASE BE AWARE OF:
  - You may lose the warranty and all the services from the car maker, because of replacing OEM parts.
  - Reduced road clearance may cause inconvenience in using parking curbs and garage jack.
  - FRP, ABS and PPE products are slightly weaker than OEM parts in crashes.
  - The product may not match the body and OEM color perfectly.

Please purchase double sided tape, primer and caulking glue at auto accessory shop or hardware store.

Completely degrease and paint primer on all the installation positions to enhance the viscosity of double sided tape.  
Use dryer to warm double sided tape to enhance the viscosity in low temperature.  
Keep the car in a dry condition more than 24 hours after gluing.  
Do not wash the car during this time.

	PARTS	QUANTITIES
FRONT BUMPER	FRONT BUMPER	1
	MESHES	1 SET
	LED LAMP	1 SET
	BRACKETS	2
	BOLTS (M5 x 15) & NUTS	2 SETS

Use caulking glue to fill the gap between the product and the body.



## FRONT BUMPER

### 【BEFORE PAINTING】

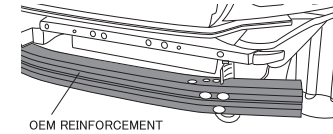
- 1) Remove OEM front bumper according to the Toyota service manual.
  - 2) Relocate OEM PTS to WALD Front Bumper and fix the attached brackets to the OEM under cover.
  - 3) Temporarily fix OEM front grille on WALD Front Bumper, then temporarily install WALD Front Bumper to the body.
- ※ Adjust the details of WALD Front Bumper to fit the body by rasps or sandpapers.
- 4) Paint WALD Front Bumper according to the picture.

### 【AFTER PAINTING】

- 5) Install the attached meshes to WALD Front Bumper with caulking glue.
  - 6) Fix the attached LED lamps to WALD Front Bumper.
- ※ Adjust optical axis, and make sure the LED lamps are fine to work before the installation.
- 7) Temporarily install WALD Front Bumper to the body after fixing OEM front grille.
  - 8) Check all the details of the fitment, then fix all the tapping screws, bolts and nuts.

### ■ HOW TO PAINT OEM REINFORCEMENT

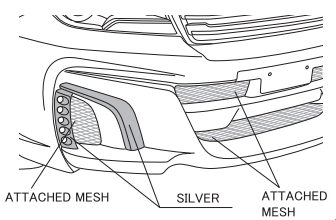
Paint OEM reinforcement in black not to be noticeable.



■ WALD SHOWCAR IS PAINTED LIKE THE PICTURE (STEP 4)

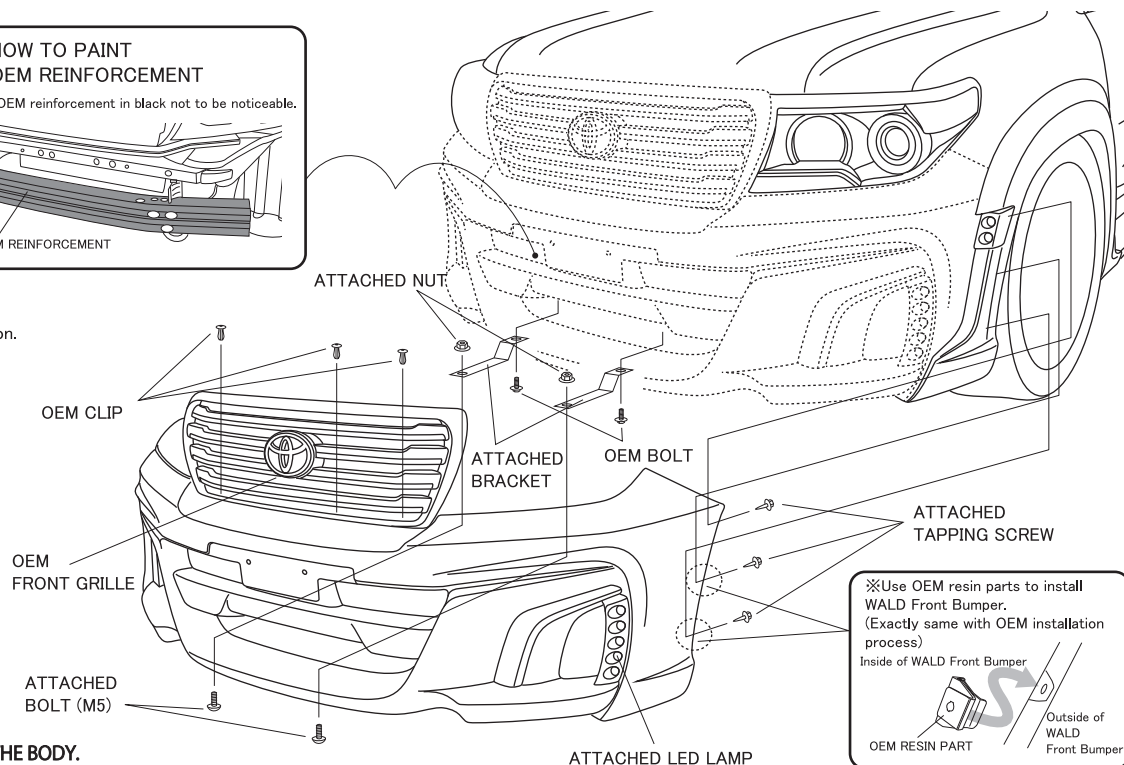
■ HOW TO INSTALL THE ATTACHED MESHES (STEP 5)

Use pins and caulking glue to install the attached meshes to WALD Front Bumper from the rear.  
※Paint the inside of the ducts and pins in black.

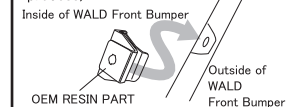


## ATTENTION

- ※ MORE THAN 2 TECHNICIANS ARE NECESSARY IN THIS WORK. DURING ALL THE INSTALLATION PROCESS, PLEASE BE CAREFUL NOT TO DAMAGE THE BODY.
- ※ ADJUST ALL THE DETAILS OF WALD PRODUCTS TO FIT ON THE BODY.



※Use OEM resin parts to install WALD Front Bumper. (Exactly same with OEM installation process)



WALD INTERNATIONAL

# LAND CRUISER

UZJ200W  
2012y~

WALD SPORTS LINE  
BLACK BISON EDITION

INSTALLATION MANUAL  
**WALD**  
Sportliche Autoausrüstung WALD International

THANK YOU FOR PURCHASING. THIS IS THE INSTALLATION MANUAL OF WALD REAR BUMPER FOR TOYOTA URJ202W LAND CRUISER.  
PLEASE READ THIS MANUAL CAREFULLY BEFORE THE INSTALLATION.

## ATTENTION



- ※ NO RETURNS CAN BE ACCEPTED BECAUSE OF IMPROPER INSTALLATION OR PAINTING.
- ※ CHECK THE FITMENT, AND ADJUST ALL THE DETAILS BEFORE PAINTING.
- We assume no responsibility for any damage resulting from improper installation, painting, modification and any cut wound in unsealing.
- Contact the car dealer when you have any question in removing OEM parts.
- During all the installation process, use parking brake and stop the engine completely.
- Use rasps or sandpapers to fit the products to the body if there is an individual difference.
- The product is made of FRP. Handle with care. Do not give the excessive force.
- Gradually fix the bolts and nuts by checking the fitment and balance of the installation.
- Check the fitment, and adjust all the details of the fitment steady and proper.
- Please check the fitment and all the details regularly, fix the bolts and nuts as necessary.
- The instruction of painting is just our recommendation, please paint it as you like.
- ※ PLEASE BE AWARE OF:
  - You may lose the warranty and all the services from the car maker, because of replacing OEM parts.
  - Reduced road clearance may cause inconvenience in using parking curbs and garage jack.
  - FRP, ABS and PPE products are slightly weaker than OEM parts in crashes.
  - The product may not match the body and OEM color perfectly.

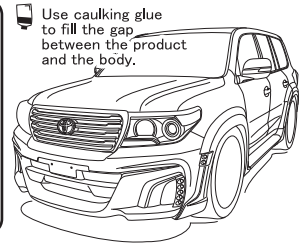
Please purchase double sided tape, primer and caulking glue at auto accessory shop or hardware store.

Completely degrease and paint primer on all the installation positions to enhance the viscosity of double sided tape.  
Use dryer to warm double sided tape to enhance the viscosity in low temperature.  
Keep the car in a dry condition more than 24 hours after gluing.  
Do not wash the car during this time.

	PARTS	QUANTITIES
REAR BUMPER	REAR BUMPER	1
	MESHES	1 SET
	LED LAMP WITH NUTS	1
	REFLECTORS	1 SET
	TAPPING SCREWS (M4 x 15)	6

■ HOW TO INSTALL OEM TAIL FINISHER  
TOYOTA OEM PARTS NUMBER  
52106-50030 / 52107-50030

※ Opening of OEM Tail finisher must be covered by mesh or a piece of WALD Rear Bumper.



## REAR BUMPER

### 【BEFORE PAINTING】

- 1) Remove OEM rear bumper according to the Toyota service manual.
- 2) Temporarily fix WALD Rear Bumper to the body with the necessary OEM parts.
- ※ Adjust the details of WALD Rear Bumper to fit the body by rasps or sandpapers.
- 3) Fix WALD Muffler Adaptor (sold separately) to change the angle of the exhaust pipe to the ground.
- 4) Cut OEM mud-guard according to the shape of WALD Rear Bumper, then mark the positions for the attached tapping screws.
- 5) Make holes according to the marked positions after taking off WALD Rear Bumper from the body.
- 6) Paint WALD Rear Bumper according to the picture.

### 【AFTER PAINTING】

- 7) Use caulking glue to fix the attached meshes from the rear.
- 8) Fix the attached LED lamp and reflectors on WALD Rear Bumper.
- ※ Make sure the attached LED lamp is fine to work before the installation.
- 9) Temporarily fix WALD Rear Bumper to the body with the necessary OEM parts.
- 10) Check all the details of the fitment, then fix all the OEM bolts and clips.

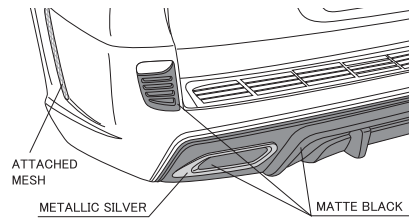
## ATTENTION

- ※ MORE THAN 2 TECHNICIANS ARE NECESSARY IN THIS WORK. DURING ALL THE INSTALLATION PROCESS, PLEASE BE CAREFUL NOT TO DAMAGE THE BODY.
- ※ REMOVE THE BATTERY BEFORE ALL THE WIRING WORKS.
- ※ ADJUST ALL THE DETAILS OF WALD PRODUCTS TO FIT ON THE BODY.

■ WALD SHOWCAR IS PAINTED LIKE THE PICTURE (STEP 6)

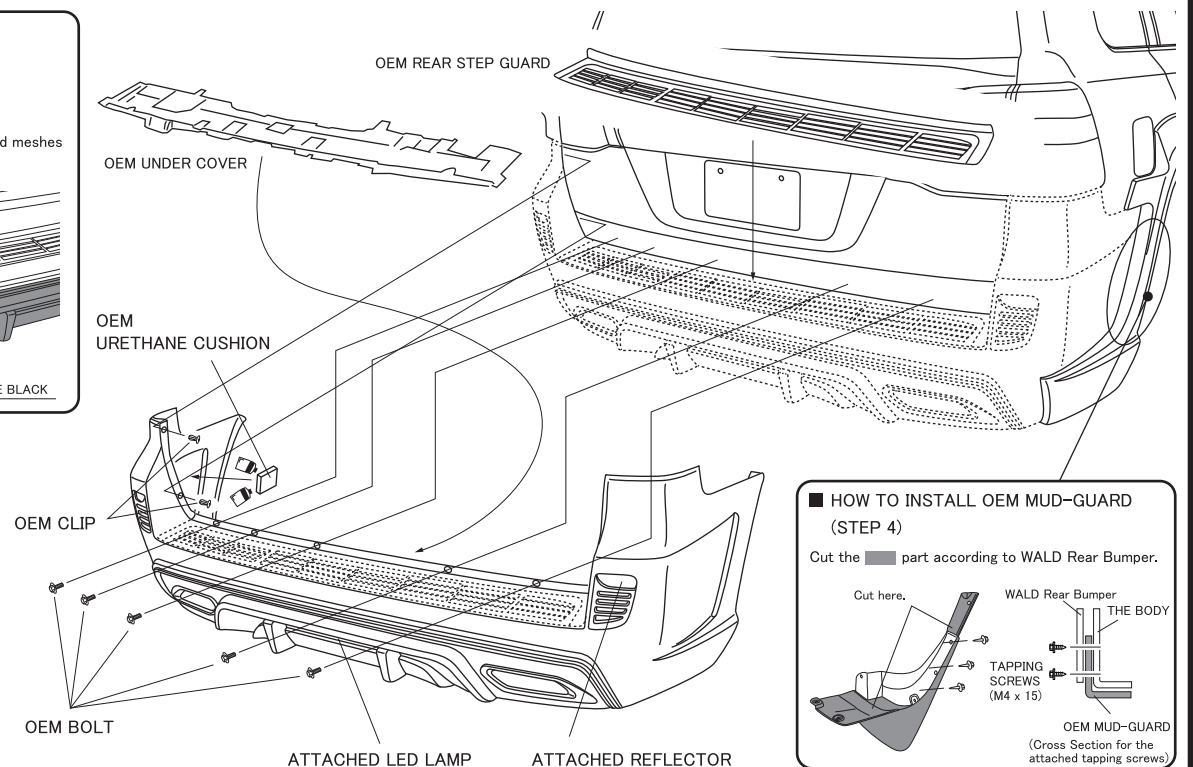
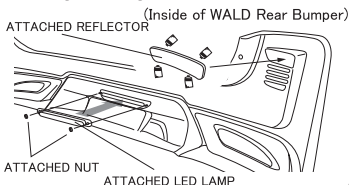
■ HOW TO INSTALL THE ATTACHED MESHES (STEP 7)

Use pins and caulking glue to install the attached meshes to WALD Rear Bumper from the rear.



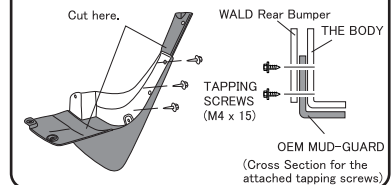
■ HOW TO INSTALL THE ATTACHED LED LAMP AND REFLECTORS (STEP 8, 9)

Use caulking glue to fix the attached LED lamp and reflectors from the rear.  
※ Adjust the angle of WALD Rear Bumper according to the angle of the attached



■ HOW TO INSTALL OEM MUD-GUARD (STEP 4)

Cut the [shaded] part according to WALD Rear Bumper.



# LAND CRUISER UZJ200W 2012y~

WALD SPORTS LINE  
BLACK BISON EDITION

INSTALLATION MANUAL  
**WALD**  
Sportliche Autoausrüstung WALD.International

THANK YOU FOR PURCHASING. THIS IS THE INSTALLATION MANUAL OF WALD REAR GATE SPOILER AND ROOF SPOILER FOR TOYOTA URJ202W LAND CRUISER. PLEASE READ THIS MANUAL CAREFULLY BEFORE THE INSTALLATION.

ATTENTION



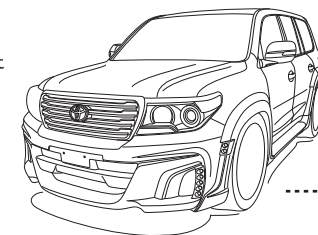
- ※ NO RETURNS CAN BE ACCEPTED BECAUSE OF IMPROPER INSTALLATION OR PAINTING.
- ※ CHECK THE FITMENT, AND ADJUST ALL THE DETAILS BEFORE PAINTING.
- We assume no responsibility for any damage resulting from improper installation, painting, modification and any cut wound in unsealing.
- Contact the car dealer when you have any question in removing OEM parts.
- During all the installation process, use parking brake and stop the engine completely.
- Use rasps or sandpapers to fit the products to the body if there is an individual difference.
- The product is made of FRP. Handle with care. Do not give the excessive force.
- Gradually fix the bolts and nuts by checking the fitment and balance of the installation.
- Check the fitment, and adjust all the details of the fitment steady and proper.
- Please check the fitment and all the details regularly, fix the bolts and nuts as necessary.
- The instruction of painting is just our recommendation, please paint it as you like.
- ※ PLEASE BE AWARE OF:
  - You may lose the warranty and all the services from the car maker, because of replacing OEM parts.
  - Reduced road clearance may cause inconvenience in using parking curbs and garage jack.
  - FRP, ABS and PPE products are slightly weaker than OEM parts in crashes.
  - The product may not match the body and OEM color perfectly.

Please purchase double sided tape, primer and caulking glue at auto accessory shop or hardware store.

Completely degrease and paint primer on all the installation positions to enhance the viscosity of double sided tape.  
Use dryer to warm double sided tape to enhance the viscosity in low temperature.  
Keep the car in a dry condition more than 24 hours after gluing.  
Do not wash the car during this time.

	PARTS	QUANTITIES
ROOF SPOILER	ROOF SPOILER	1
	TAPPING SCREWS (M5 x 10)	4
REAR GATE SPOILER	REAR GATE SPOILER	1

Use caulking glue to fill the gap between the product and the body.



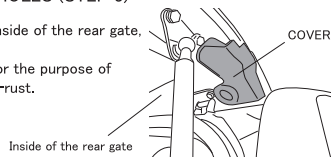
## ROOF SPOILER & REAR GATE SPOILER

### 【BEFORE PAINTING】

- 1) Temporarily install WALD Roof Spoiler and Rear Gate Spoiler to the body.
- ※ Check all the details of the fitment, then use masking tape to mark the installation position.
- 2) Mark the installation positions on the body according to the picture, then remove WALD Rear Gate Spoiler and Roof Spoiler.
- 3) Make holes on the rear gate from the rear to insert the attached tapping screws.
- ※ Use touch up paint to make corrosion treatment on holes.
- 4) Remove WALD Roof Spoiler and Rear Gate Spoiler, then make holes on them.

### ■ HOW TO MAKE HOLES (STEP 3)

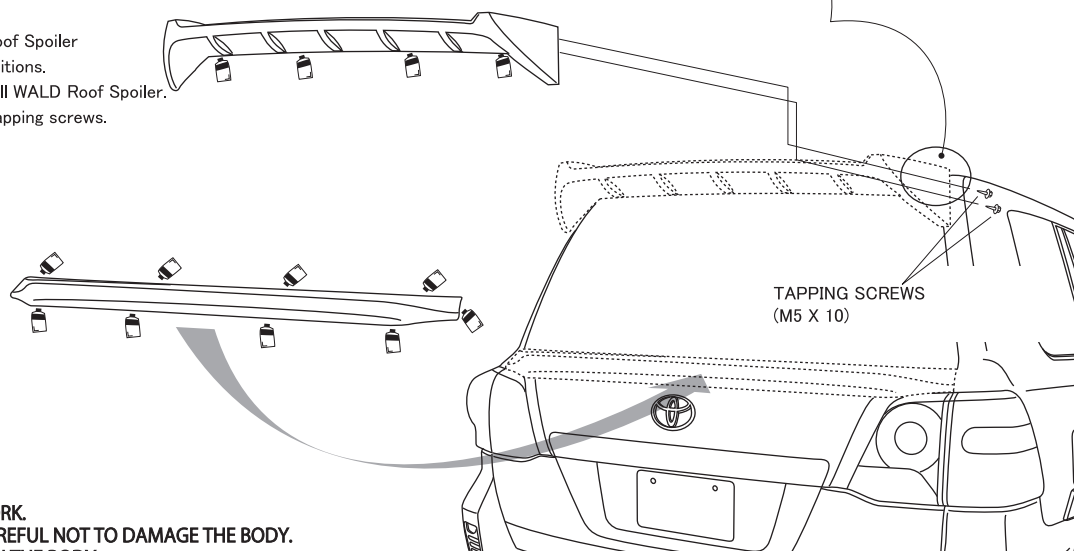
Taking off the cover inside of the rear gate, then make holes.  
※ Insulate the holes for the purpose of waterproof and anti-rust.



### 【AFTER PAINTING】

- 5) Use caulking glue to install WALD Rear Gate Spoiler and Roof Spoiler to the body after completely degreasing the installation positions.
- 6) Fix the attached tapping screws from the rear gate to install WALD Roof Spoiler.
- 7) Check all the details of the fitment, then fix the attached tapping screws.

Need to replace whole OEM corner panel of the rear gate if the car is ZX-Grade



### ⚠ ATTENTION

- ※ MORE THAN 2 TECHNICIANS ARE NECESSARY IN THIS WORK.
- DURING ALL THE INSTALLATION PROCESS, PLEASE BE CAREFUL NOT TO DAMAGE THE BODY.
- ※ ADJUST ALL THE DETAILS OF WALD PRODUCTS TO FIT ON THE BODY.

WALD INTERNATIONAL



# LAND CRUISER ZX

UZJ200W  
2012y~

WALD SPORTS LINE  
BLACK BISON EDITION

INSTALLATION MANUAL  
**WALD**  
Sportliche Autoausrüstung WALD.International

THANK YOU FOR PURCHASING. THIS IS THE INSTALLATION MANUAL OF WALD OVER FENDER FOR TOYOTA URJ202W LAND CRUISER ZX-GRADE.  
PLEASE READ THIS MANUAL CAREFULLY BEFORE THE INSTALLATION.

## ATTENTION



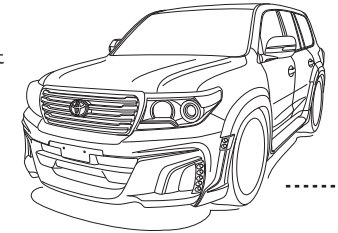
- ※ NO RETURNS CAN BE ACCEPTED BECAUSE OF IMPROPER INSTALLATION OR PAINTING.
- ※ CHECK THE FITMENT, AND ADJUST ALL THE DETAILS BEFORE PAINTING.
- We assume no responsibility for any damage resulting from improper installation, painting, modification and any cut wound in unsealing.
- Contact the car dealer when you have any question in removing OEM parts.
- During all the installation process, use parking brake and stop the engine completely.
- Use rasps or sandpapers to fit the products to the body if there is an individual difference.
- The product is made of FRP. Handle with care. Do not give the excessive force. Gradually fix the bolts and nuts by checking the fitment and balance of the installation.
- Check the fitment, and adjust all the details of the fitment steady and proper. Please check the fitment and all the details regularly, fix the bolts and nuts as necessary.
- The instruction of painting is just our recommendation, please paint it as you like.
- ※ PLEASE BE AWARE OF:
  - You may lose the warranty and all the services from the car maker, because of replacing OEM parts.
  - Reduced road clearance may cause inconvenience in using parking curbs and garage jack.
  - FRP, ABS and PPE products are slightly weaker than OEM parts in crashes.
  - The product may not match the body and OEM color perfectly.

Please purchase double sided tape, primer and caulking glue at auto accessory shop or hardware store.

Completely degrease and paint primer on all the installation positions to enhance the viscosity of double sided tape.  
Use dryer to warm double sided tape to enhance the viscosity in low temperature.  
Keep the car in a dry condition more than 24 hours after gluing.  
Do not wash the car during this time.

	PARTS	QUANTITIES
OVER FENDER	OVER FENDER	1 SET
	LED LAMPS	1 SET
	TAPPING SCREWS (M4 x 15)	10

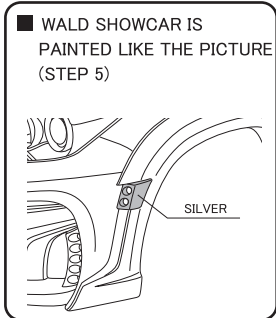
Use caulking glue to fill the gap between the product and the body.



## OVER FENDER

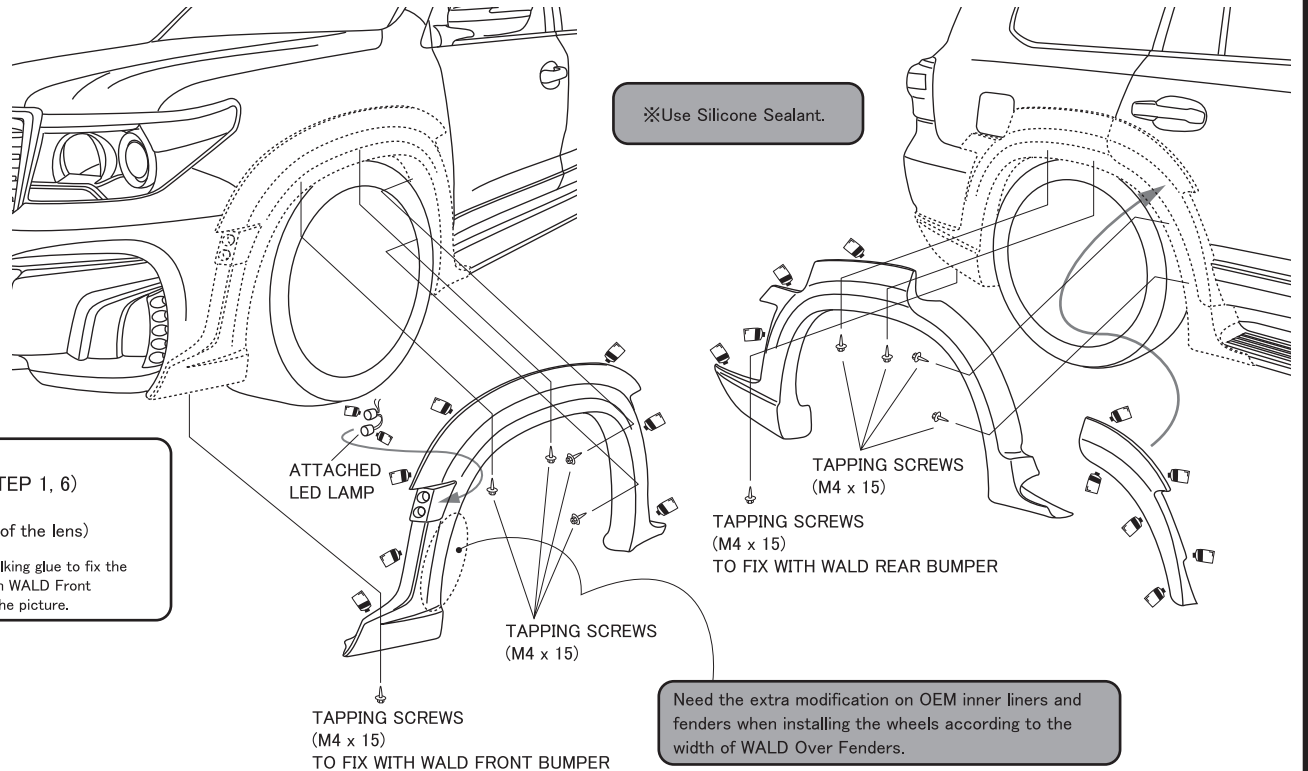
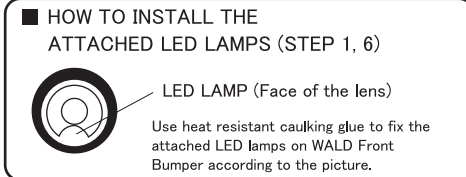
### 【BEFORE PAINTING】

- 1) Temporarily fix the attached LED lamps to WALD Over Fender.
- ※ Adjust the details of WALD Over Fenders to fit the attached LED lamps by rasps or sandpapers.
- 2) Mark the installation positions on the body with masking tape after checking the fitting.
- 3) Make holes on WALD Over Fenders and the body to fix the attached tapping screws.
- 4) Prepare to connect the attached LED lamps.
- ※ Insulate any spare harness.
- 5) Paint WALD Over Fenders according to the picture.



### 【AFTER PAINTING】

- 6) Completely degrease the installation positions, then use caulking glue to fix the attached LED lamps.
- ※ Make sure the attached LED lamps are fine to work before the installation.
- 7) Completely degrease the installation positions, then use caulking glue to install WALD Over Fenders to the body.
- 8) Connect the harness of the attached LED lamps, then tighten the attached tapping screws.
- 9) Leave them till completely fixed.



## ATTENTION

- ※ MORE THAN 2 TECHNICIANS ARE NECESSARY IN THIS WORK. DURING ALL THE INSTALLATION PROCESS, PLEASE BE CAREFUL NOT TO DAMAGE THE BODY.
- ※ REMOVE THE BATTERY BEFORE ALL THE WIRING WORKS.
- ※ ADJUST ALL THE DETAILS OF WALD PRODUCTS TO FIT ON THE BODY.

# LAND CRUISER AX

UZJ200W  
2012y~

WALD SPORTS LINE  
BLACK BISON EDITION

INSTALLATION MANUAL  
**WALD**  
Sportliche Autoausrüstung WALD International

THANK YOU FOR PURCHASING. THIS IS THE INSTALLATION MANUAL OF WALD OVER FENDER FOR TOYOTA URJ202W LAND CRUISER AX-GRADE.  
PLEASE READ THIS MANUAL CAREFULLY BEFORE THE INSTALLATION.

## ATTENTION



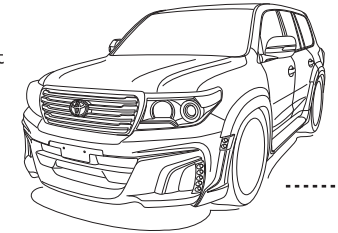
- ※ NO RETURNS CAN BE ACCEPTED BECAUSE OF IMPROPER INSTALLATION OR PAINTING.
- ※ CHECK THE FITMENT, AND ADJUST ALL THE DETAILS BEFORE PAINTING.
- We assume no responsibility for any damage resulting from improper installation, painting, modification and any cut wound in unsealing.
- Contact the car dealer when you have any question in removing OEM parts.
- During all the installation process, use parking brake and stop the engine completely.
- Use rasps or sandpapers to fit the products to the body if there is an individual difference.
- The product is made of FRP. Handle with care. Do not give the excessive force. Gradually fix the bolts and nuts by checking the fitment and balance of the installation.
- Check the fitment, and adjust all the details of the fitment steady and proper. Please check the fitment and all the details regularly, fix the bolts and nuts as necessary.
- The instruction of painting is just our recommendation, please paint it as you like.
- ※ PLEASE BE AWARE OF:
  - You may lose the warranty and all the services from the car maker, because of replacing OEM parts.
  - Reduced road clearance may cause inconvenience in using parking curbs and garage jack.
  - FRP, ABS and PPE products are slightly weaker than OEM parts in crashes.
  - The product may not match the body and OEM color perfectly.

Please purchase double sided tape, primer and caulking glue at auto accessory shop or hardware store.

Completely degrease and paint primer on all the installation positions to enhance the viscosity of double sided tape.  
Use dryer to warm double sided tape to enhance the viscosity in low temperature.  
Keep the car in a dry condition more than 24 hours after gluing.  
Do not wash the car during this time.

	PARTS	QUANTITIES
OVER FENDER	OVER FENDER	1 SET
	LED LAMPS	1 SET
	TAPPING SCREWS (M4 x 15)	20

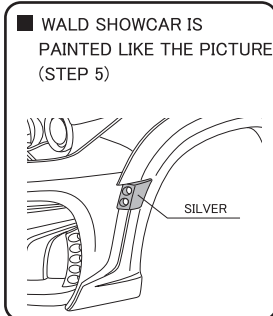
Use caulking glue to fill the gap between the product and the body.



## OVER FENDER

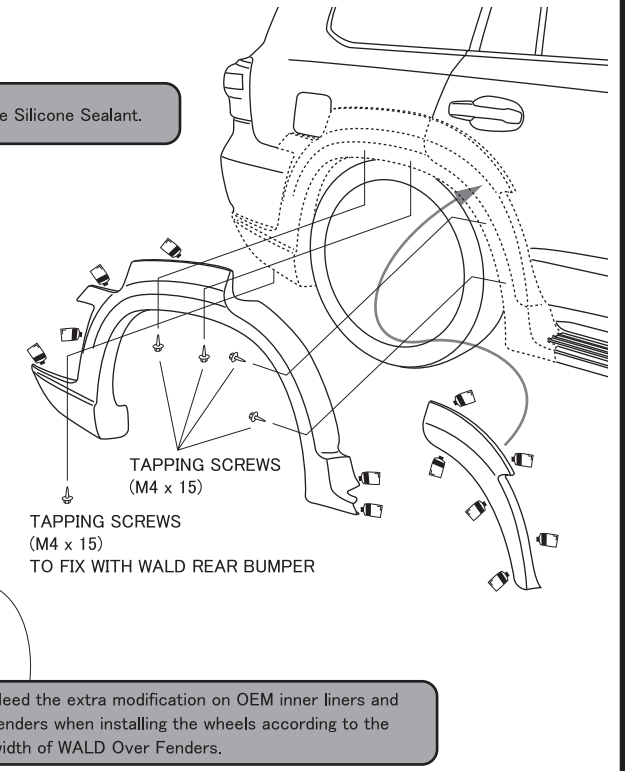
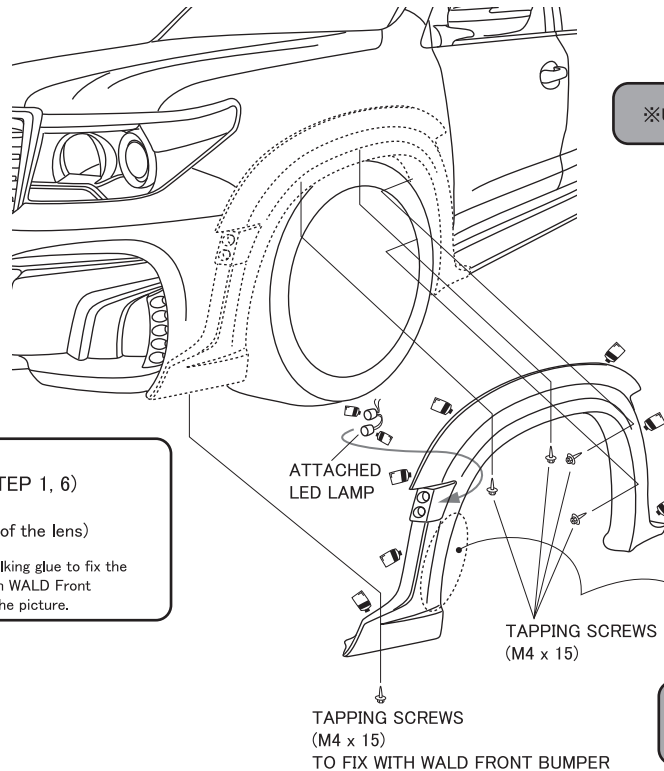
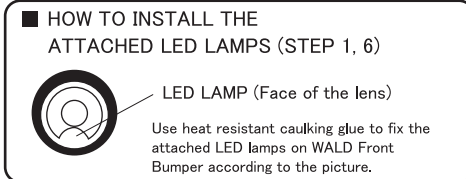
### 【BEFORE PAINTING】

- 1) Temporarily fix the attached LED lamps to WALD Over Fender.
- ※ Adjust the details of WALD Over Fenders to fit the attached LED lamps by rasps or sandpapers.
- 2) Mark the installation positions on the body with masking tape after checking the fitting.
- 3) Make holes on WALD Over Fenders and the body to fix the attached tapping screws.
- 4) Prepare to connect the attached LED lamps.
- ※ Insulate any spare harness.
- 5) Paint WALD Over Fenders according to the picture.



### 【AFTER PAINTING】

- 6) Completely degrease the installation positions, then use caulking glue to fix the attached LED lamps.
- ※ Make sure the attached LED lamps are fine to work before the installation.
- 7) Completely degrease the installation positions, then use caulking glue to install WALD Over Fenders to the body.
- 8) Connect the harness of the attached LED lamps, then tighten the attached tapping screws.
- 9) Leave them till completely fixed.



## ATTENTION

- ※ MORE THAN 2 TECHNICIANS ARE NECESSARY IN THIS WORK. DURING ALL THE INSTALLATION PROCESS, PLEASE BE CAREFUL NOT TO DAMAGE THE BODY.
- ※ REMOVE THE BATTERY BEFORE ALL THE WIRING WORKS.
- ※ ADJUST ALL THE DETAILS OF WALD PRODUCTS TO FIT ON THE BODY.

# LAND CRUISER UZJ200W 2012y~

WALD SPORTS LINE  
BLACK BISON EDITION

INSTALLATION MANUAL  
**WALD**  
Sportliche Autoausrüstung WALD.International

THANK YOU FOR PURCHASING. THIS IS THE INSTALLATION MANUAL OF LED LAMPS ON WALD FRONT BUMPER FOR TOYOTA URJ202W LAND CRUISER. PLEASE READ THIS MANUAL CAREFULLY BEFORE THE INSTALLATION.

## ATTENTION



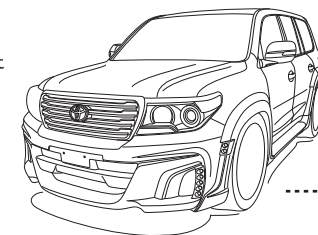
- ※ NO RETURNS CAN BE ACCEPTED BECAUSE OF IMPROPER INSTALLATION OR PAINTING.
- ※ CHECK THE FITMENT, AND ADJUST ALL THE DETAILS BEFORE PAINTING.
- We assume no responsibility for any damage resulting from improper installation, painting, modification and any cut wound in unsealing.
- Contact the car dealer when you have any question in removing OEM parts.
- During all the installation process, use parking brake and stop the engine completely.
- Use rasps or sandpapers to fit the products to the body if there is an individual difference.
- The product is made of FRP. Handle with care. Do not give the excessive force. Gradually fix the bolts and nuts by checking the fitment and balance of the installation.
- Check the fitment, and adjust all the details of the fitment steady and proper. Please check the fitment and all the details regularly, fix the bolts and nuts as necessary.
- The instruction of painting is just our recommendation, please paint it as you like.
- ※ PLEASE BE AWARE OF:
  - You may lose the warranty and all the services from the car maker, because of replacing OEM parts.
  - Reduced road clearance may cause inconvenience in using parking curbs and garage jack.
  - FRP, ABS and PPE products are slightly weaker than OEM parts in crashes.
  - The product may not match the body and OEM color perfectly.

Please purchase double sided tape, primer and caulking glue at auto accessory shop or hardware store.

Completely degrease and paint primer on all the installation positions to enhance the viscosity of double sided tape.  
Use dryer to warm double sided tape to enhance the viscosity in low temperature.  
Keep the car in a dry condition more than 24 hours after gluing.  
Do not wash the car during this time.

	PARTS	QUANTITIES
LED LAMP	LED LAMP	1 SET

Use caulking glue to fill the gap between the product and the body.



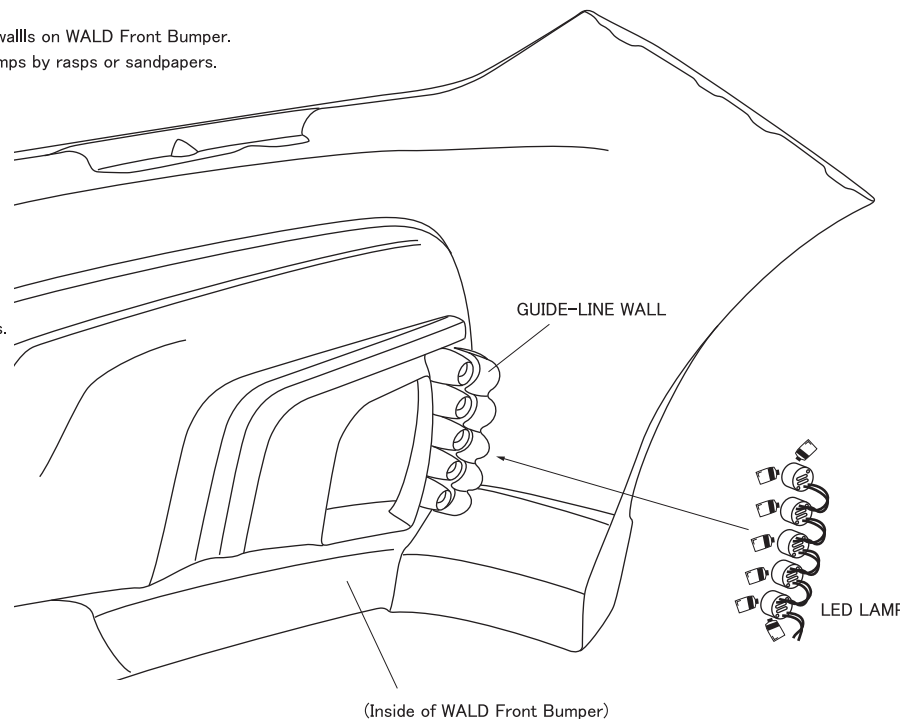
## LED LAMP

### 【BEFORE PAINTING】

- 1) Temporarily fix the attached LED lamps according to the guide-line walls on WALD Front Bumper.
- ※ Adjust the details of WALD Front Bumper to fit the attached LED lamps by rasps or sandpapers.
- 2) Prepare to connect the attached LED lamps.
- ※ Insulate any spare harness.

### 【AFTER PAINTING】

- 3) Completely degrease the installation positions, then put the attached LED lamps according to the guide-line walls on WALD Front Bumper.
- 4) Use caulking glue to fix the attached LED lamps after checking the angle and location.
- 5) Leave them till completely fixed.
- 6) Install WALD Front Bumper to the body after connecting the harness.



### ■ HOW TO INSTALL THE ATTACHED LED LAMPS (STEP 1, 3)

LED LAMP (Face of the lens)



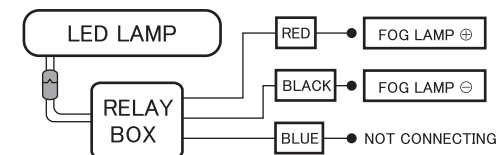
Use heat resistant caulking glue to fix the attached LED lamps on WALD Front Bumper according to the picture.

## ATTENTION

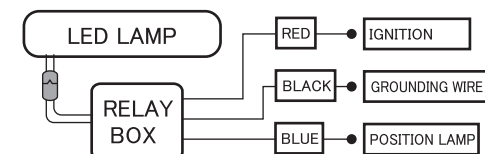
- ※ REMOVE THE BATTERY BEFORE ALL THE WIRING WORKS.
- ※ MAKE SURE OEM FOG LAMPS ARE FINE TO WORK BEFORE THE INSTALLATION.

### = WIRING DIAGRAM =

[ AS FOG LAMP ]



[ AS DAYLIGHT ]



※Insulate OEM fog lamp harness.

■ Please purchase relay harness with remote controller kit to turn on the daylights or fog lamps separately.

CAR SIDE



THANK YOU FOR PURCHASING. THIS IS THE INSTALLATION MANUAL OF WALD FOG LAMP INSERT BASE FOR TOYOTA UZJ200W LAND CRUISER. PLEASE READ THIS MANUAL CAREFULLY BEFORE THE INSTALLATION.

## ATTENTION



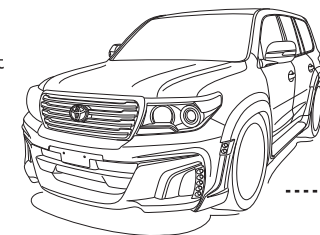
- ※ NO RETURNS CAN BE ACCEPTED BECAUSE OF IMPROPER INSTALLATION OR PAINTING.
- ※ CHECK THE FITMENT, AND ADJUST ALL THE DETAILS BEFORE PAINTING.
- We assume no responsibility for any damage resulting from improper installation, painting, modification and any cut wound in unsealing.
- Contact the car dealer when you have any question in removing OEM parts.
- During all the installation process, use parking brake and stop the engine completely.
- Use rasps or sandpapers to fit the products to the body if there is an individual difference.
- The product is made of FRP. Handle with care. Do not give the excessive force. Gradually fix the bolts and nuts by checking the fitment and balance of the installation.
- Check the fitment, and adjust all the details of the fitment steady and proper. Please check the fitment and all the details regularly, fix the bolts and nuts as necessary.
- The instruction of painting is just our recommendation, please paint it as you like.
- ※ PLEASE BE AWARE OF:
  - You may lose the warranty and all the services from the car maker, because of replacing OEM parts.
  - Reduced road clearance may cause inconvenience in using parking curbs and garage jack.
  - FRP, ABS and PPE products are slightly weaker than OEM parts in crashes.
  - The product may not match the body and OEM color perfectly.

Please purchase double sided tape, primer and caulking glue at auto accessory shop or hardware store.

Completely degrease and paint primer on all the installation positions to enhance the viscosity of double sided tape.  
Use dryer to warm double sided tape to enhance the viscosity in low temperature.  
Keep the car in a dry condition more than 24 hours after gluing.  
Do not wash the car during this time.

	PARTS	QUANTITIES
FOG LAMP INSERT BASE	FOG LAMP INSERT BASE BOLTS (M5 x 15)	1 SET 4

Use caulking glue to fill the gap between the product and the body.



## FOG LAMP INSERT BASE

### [BEFORE PAINTING]

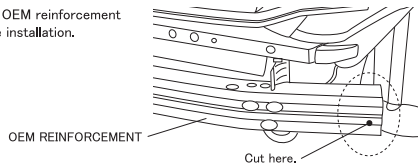
- 1) Cut out the space on WALD Front Bumper to fit the fog lamp insert base according to the picture.
- ※ The cut-line is just a reference, and adjust the details based on the fitting with the fog lamp insert base.
- 2) Temporarily fix OEM fog lamps and chrome plated rings on the fog lamp insert base after taking off from WALD Front Bumper.
- ※ Adjust the details of the fog lamp insert base to fit OEM fog lamps and chrome plated rings by rasps or sandpapers.
- 3) Paint the led lamp insert adaptor according to the picture.

### [AFTER PAINTING]

- 4) Fix OEM chrome plated rings on WALD Front Bumper with caulking glue.
- 5) Install OEM fog lamps on the fog lamp insert base.
- 6) After checking all the details, use caulking glue to fix the fog lamp insert base on WALD Front Bumper.
- 7) Leave them till completely fixed.

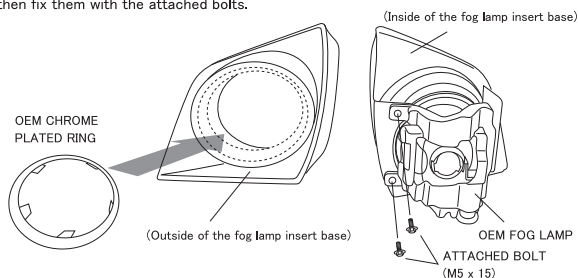
### ■ HOW TO PROCESS OEM REINFORCEMENT

Cut both ends of OEM reinforcement if it interferes the installation.

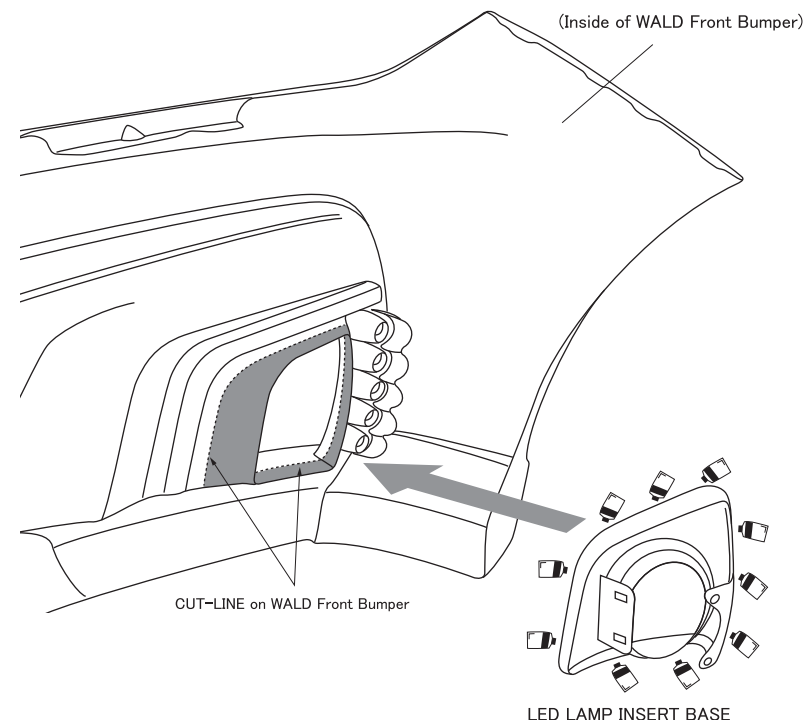
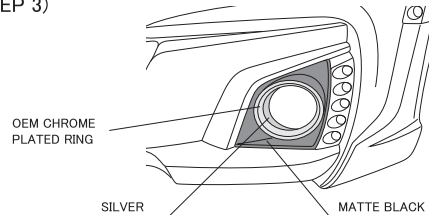


### ■ HOW TO FIX OEM FOG LAMPS AND CHROME PLATED RINGS (STEP 2, 4, 5)

Use caulking glue to fix OEM chrome plated rings after inserting them from the front. Install OEM fog lamps on the led lamp insert adaptor from the rear, then fix them with the attached bolts.



### ■ WALD SHOWCAR IS PAINTED LIKE THE PICTURE (STEP 3)



## ATTENTION

- ※ ADJUST ALL THE DETAILS OF WALD PRODUCTS TO FIT ON THE BODY.
- ※ DEGREASE ALL THE INSTALLATION POSITIONS BEFORE THE INSTALLATION.
- ※ MAKE SURE OEM FOG LAMPS ARE FINE TO WORK BEFORE THE INSTALLATION.

# LAND CRUISER

UZJ200W  
2012y~

WALD SPORTS LINE  
BLACK BISON EDITION

INSTALLATION MANUAL  
**WALD**  
Sportliche Autoausrüstung WALD.International

THANK YOU FOR PURCHASING. THIS IS THE INSTALLATION MANUAL OF WALD EXHAUST TRIM FOR TOYOTA URJ202W LAND CRUISER.  
PLEASE READ THIS MANUAL CAREFULLY BEFORE THE INSTALLATION.

## ATTENTION



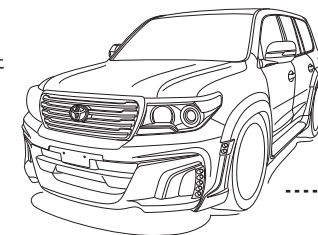
- ※ NO RETURNS CAN BE ACCEPTED BECAUSE OF IMPROPER INSTALLATION OR PAINTING.
- ※ CHECK THE FITMENT, AND ADJUST ALL THE DETAILS BEFORE PAINTING.
- We assume no responsibility for any damage resulting from improper installation, painting, modification and any cut wound in unsealing.
- Contact the car dealer when you have any question in removing OEM parts.
- During all the installation process, use parking brake and stop the engine completely.
- Use rasps or sandpapers to fit the products to the body if there is an individual difference.
- The product is made of FRP. Handle with care. Do not give the excessive force. Gradually fix the bolts and nuts by checking the fitment and balance of the installation.
- Check the fitment, and adjust all the details of the fitment steady and proper. Please check the fitment and all the details regularly, fix the bolts and nuts as necessary.
- The instruction of painting is just our recommendation, please paint it as you like.
- ※ PLEASE BE AWARE OF:
  - You may lose the warranty and all the services from the car maker, because of replacing OEM parts.
  - Reduced road clearance may cause inconvenience in using parking curbs and garage jack.
  - FRP, ABS and PPE products are slightly weaker than OEM parts in crashes.
  - The product may not match the body and OEM color perfectly.

Please purchase double sided tape, primer and caulking glue at auto accessory shop or hardware store.

Completely degrease and paint primer on all the installation positions to enhance the viscosity of double sided tape.  
Use dryer to warm double sided tape to enhance the viscosity in low temperature.  
Keep the car in a dry condition more than 24 hours after gluing.  
Do not wash the car during this time.

	PARTS	QUANTITIES
EXHAUST TRIM	EXHAUST TRIM	1 SET

Use caulking glue to fill the gap between the product and the body.



## EXHAUST TRIM

### [BEFORE PAINTING]

- 1) Cut and make space for WALD Exhaust Trim on WALD Rear Bumper.
- ※ Adjust the size of the space for WALD Exhaust Trim according to the picture.
- 2) Need to check the details before painting WALD Rear Bumper.

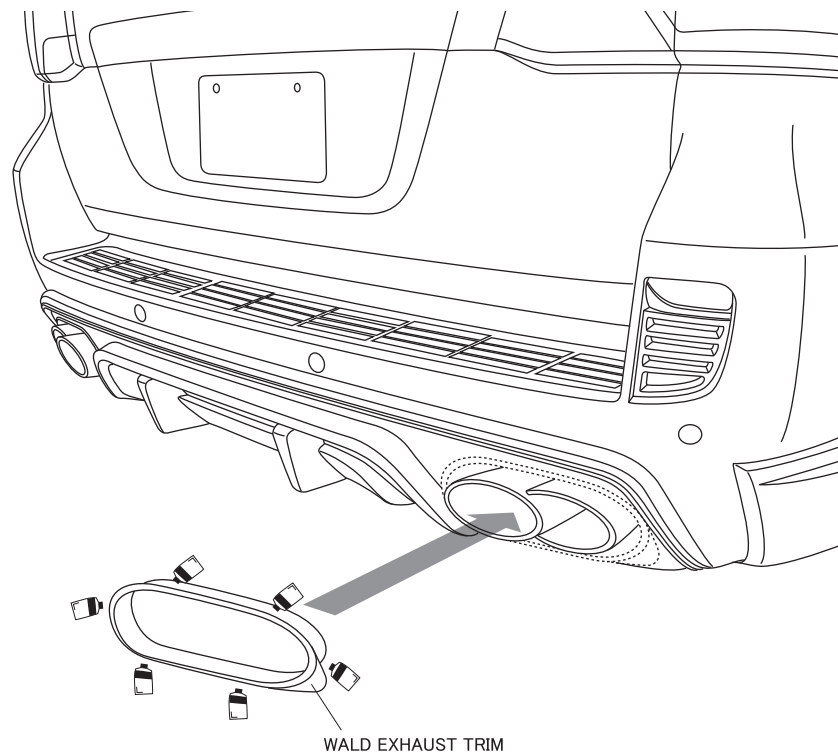
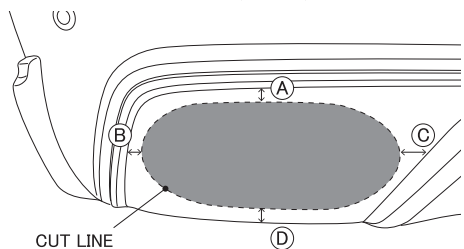
### [AFTER PAINTING]

- 3) Completely degrease the installation positions for WALD Exhaust Trim.
- 4) Use caulking glue to fix WALD Exhaust Trim on WALD Rear Bumper.
- 5) Leave them till completely fixed.
- 6) Install WALD Rear Bumper to the body.

### ■ HOW TO MAKE SPACE FOR WALD EXHAUST TRIM (STEP1)

A : 14mm, B : 16mm  
C : 28mm, D : 16mm

The picture is just a reference, and need to adjust the size and location by checking the balance of WALD Rear Bumper and Exhaust Trim.

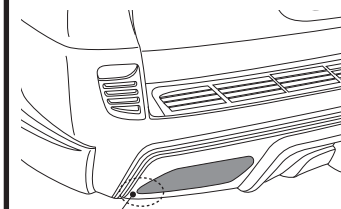


### ■ HOW TO INSTALL FOR THE CAR INSTALLED TAIL FINISHER



LEXUS OEM FINISHER  
(Sold by LEXUS Dealer)

After taking off OEM tail finisher, fill out the corner part which is not covered by WALD Exhaust Trim.



Need to fill the corner part.

## ATTENTION

- ※ MORE THAN 2 TECHNICIANS ARE NECESSARY IN THIS WORK.
- ※ DURING ALL THE INSTALLATION PROCESS, PLEASE BE CAREFUL NOT TO DAMAGE THE BODY.
- ※ ADJUST ALL THE DETAILS OF WALD PRODUCTS TO FIT ON THE BODY.

WALD INTERNATIONAL