

THANK YOU FOR PURCHASING. THIS IS THE INSTALLATION MANUAL OF WALD FRONT SPOILER FOR TOYOTA LAND CRUISER.
PLEASE READ THIS MANUAL CAREFULLY BEFORE THE INSTALLATION.

ATTENTION

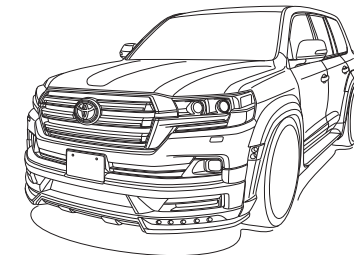


- We assume no responsibility for any damage resulting from improper installation, painting, modification and any cut wound in unsealing.
- Contact the car dealer when you have any question in removing OEM parts.
- During all the installation process, use parking brake and stop the engine completely.
- Use rasps or sandpapers to fit the products to the body if there is an individual difference.
- The product is made of FRP. Handle with care. Do not give the excessive force. Gradually fix the bolts and nuts by checking the fitment and balance of the installation.
- Check the fitment, and adjust all the details of the fitment steady and proper. Please check the fitment and all the details regularly, fix the bolts and nuts as necessary.
- The instruction of painting is just our recommendation, please paint it as you like.
- ※ PLEASE BE AWARE OF:
 - You may lose the warranty and all the services from the car maker, because of replacing OEM parts.
 - Reduced road clearance may cause inconvenience in using parking curbs and garage jack.
 - FRP, ABS and PPE products are slightly weaker than OEM parts in crashes.

Please purchase double sided tape, primer and caulking glue at auto accessory shop or hardware store.

Completely degrease and paint primer on all the installation positions to enhance the viscosity of double sided tape.
Use dryer to warm double sided tape to enhance the viscosity in low temperature.
Keep the car in a dry condition more than 24 hours after gluing.
Do not wash the car during this time.

	PARTS	QUANTITIES
FRONT SPOILER	FRONT SPOILER	1
	CHROME ACCENT	1 SET
	RUBBER MOULDING (Black/Gray)	1 SET
	TAPPING SCREWS	2
	SPACER	2
	LED LAMP ADAPTOR	1 SET



FRONT SPOILER

[BEFORE PAINTING]

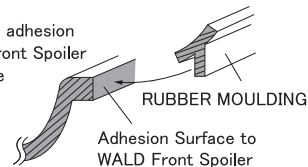
- 1) Temporarily install WALD Front Spoiler to the body.
- ※ Adjust the details of WALD Front Spoiler to fit the body by rasps or sandpapers.
- 2) Mark the location of the holes for the attached tapping screws after checking the balance.
- 3) Take off WALD Front Spoiler, then make holes according to the marked positions.
- 4) Paint WALD Front Spoiler according to the picture.

[AFTER PAINTING]

- 5) Attach the rubber moulding on WALD Front Spoiler.
- 6) Completely degrease the installation position.
- 7) Use caulking glue and the double sided tape to install WALD Front Half Spoiler to OEM front bumper, then fix all the attached tapping screws tightly.
- ※ The ends of the release paper of the double sided tape must be fold to adjust the location.
- 8) Use caulking glue and the double sided tape to fix the chrome accents on WALD Front Spoiler.
- 9) Leave it till completely fixed.

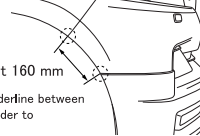
■ HOW TO ATTACH THE RUBBER MOULDING (STEP 5)

Apply primer on the adhesion surface of WALD Front Spoiler before attaching the rubber mouldings.



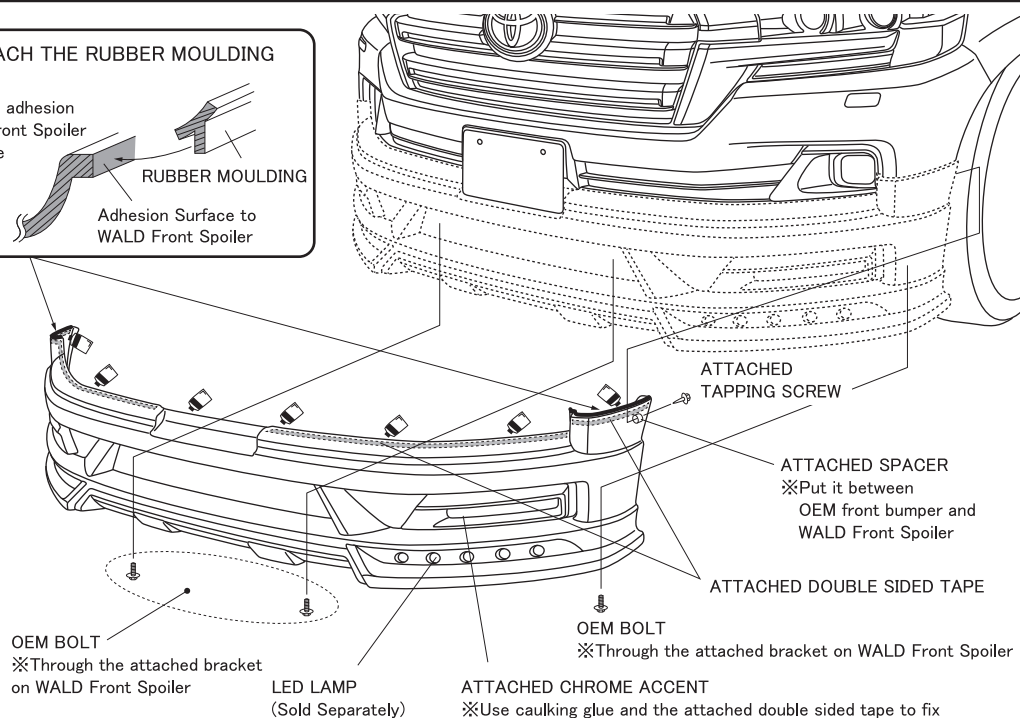
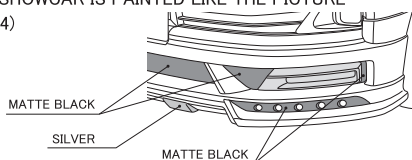
■ LOCATION OF WALD FRONT SPOILER (STEP 2)

About 160 mm
Straight Line from the borderline between OEM front bumper and fender to WALD Front Spoiler.



※ WALD SHOWCAR IS PAINTED LIKE THE PICTURE (STEP 4)

MATTE BLACK
SILVER
MATTE BLACK



ATTENTION

- ※ MORE THAN 2 TECHNICIANS ARE NECESSARY IN THIS WORK.
- DURING ALL THE INSTALLATION PROCESS, PLEASE BE CAREFUL NOT TO DAMAGE THE BODY.
- ※ ADJUST ALL THE DETAILS OF OUR PRODUCTS TO FIT ON A CAR PERFECTLY.

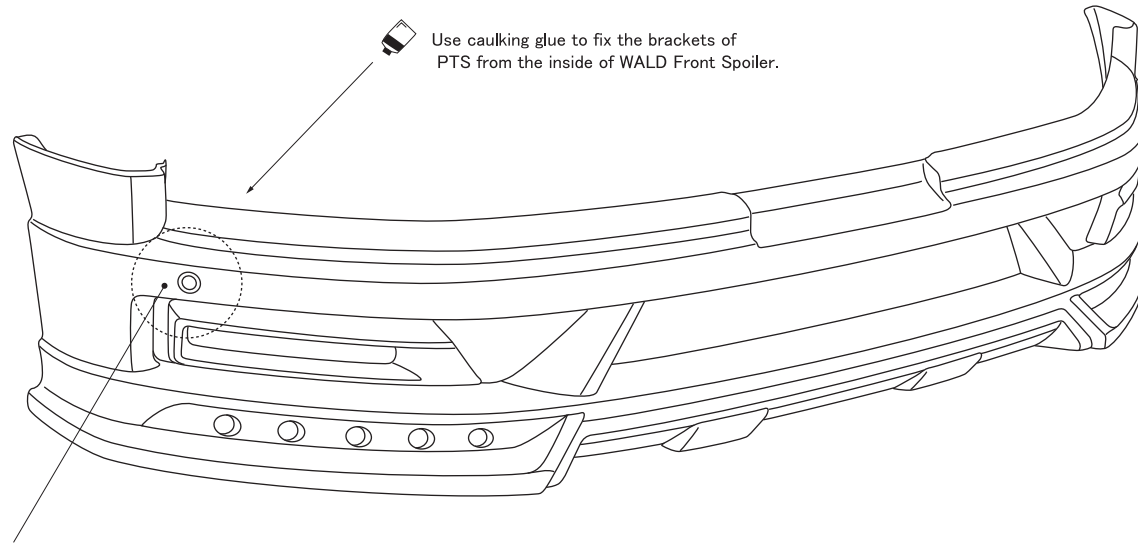
Please refer to the attached manual "How to Replace OEM PTS" for a car equipped PTS.

THIS IS THE INSTALLATION MANUAL OF REPLACING PTS ON WALD FRONT SPOILER FOR TOYOTA LAND CRUISER.

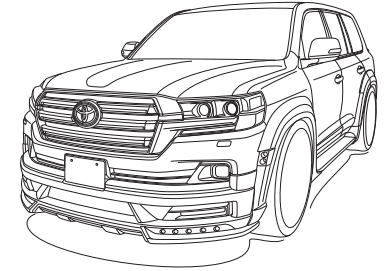
HOW TO REPLACE OEM PTS TO WALD FRONT SPOILER

Please purchase double sided tape,
primer and caulking glue at
auto accessory shop or hardware store.

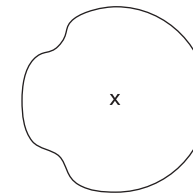
Completely degrease and paint primer on all
the installation positions to enhance the viscosity
of double sided tape.
Use dryer to warm double sided tape to enhance
the viscosity in low temperature.
Keep the car in a dry condition more than
24 hours after gluing.
Do not wash the car during this time.



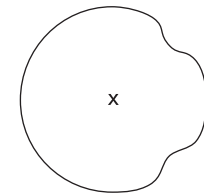
PTS (Need to Make Holes on WALD Front Spoiler)
※Replace OEM PTS with the brackets from OEM front bumper to WALD Front Spoiler.



PTS Hole Sample Pattern



LH



RH

Make holes on WALD Front Spoiler according the PTS Hole Sample Pattern.
※Make sure if the PTS Hole Sample Pattern and Holes on OEM front bumper are same or not.
※Make holes smaller than PTS Hole Sample Pattern.

THANK YOU FOR PURCHASING. THIS IS THE INSTALLATION MANUAL OF LED LAMPS ON WALD FRONT SPOILER FOR TOYOTA LAND CRUISER.
PLEASE READ THIS MANUAL CAREFULLY BEFORE THE INSTALLATION.

ATTENTION

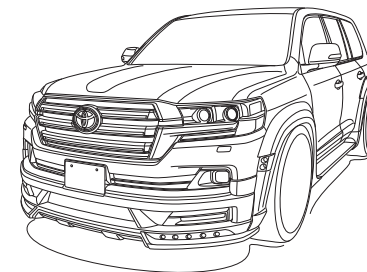


- We assume no responsibility for any damage resulting from improper installation, painting, modification and any cut wound in unsealing.
- Contact the car dealer when you have any question in removing OEM parts.
- During all the installation process, use parking brake and stop the engine completely.
- Use rasps or sandpapers to fit the products to the body if there is an individual difference.
- The product is made of FRP. Handle with care. Do not give the excessive force. Gradually fix the bolts and nuts by checking the fitment and balance of the installation.
- Check the fitment, and adjust all the details of the fitment steady and proper. Please check the fitment and all the details regularly, fix the bolts and nuts as necessary.
- The instruction of painting is just our recommendation, please paint it as you like.
- ※ PLEASE BE AWARE OF:
- You may lose the warranty and all the services from the car maker, because of replacing OEM parts.

Please purchase double sided tape, primer and caulking glue at auto accessory shop or hardware store.

Completely degrease and paint primer on all the installation positions to enhance the viscosity of double sided tape.
Use dryer to warm double sided tape to enhance the viscosity in low temperature.
Keep the car in a dry condition more than 24 hours after gluing.
Do not wash the car during this time.

	PARTS	QUANTITIES
LED LAMP	LED LAMP	1 SET



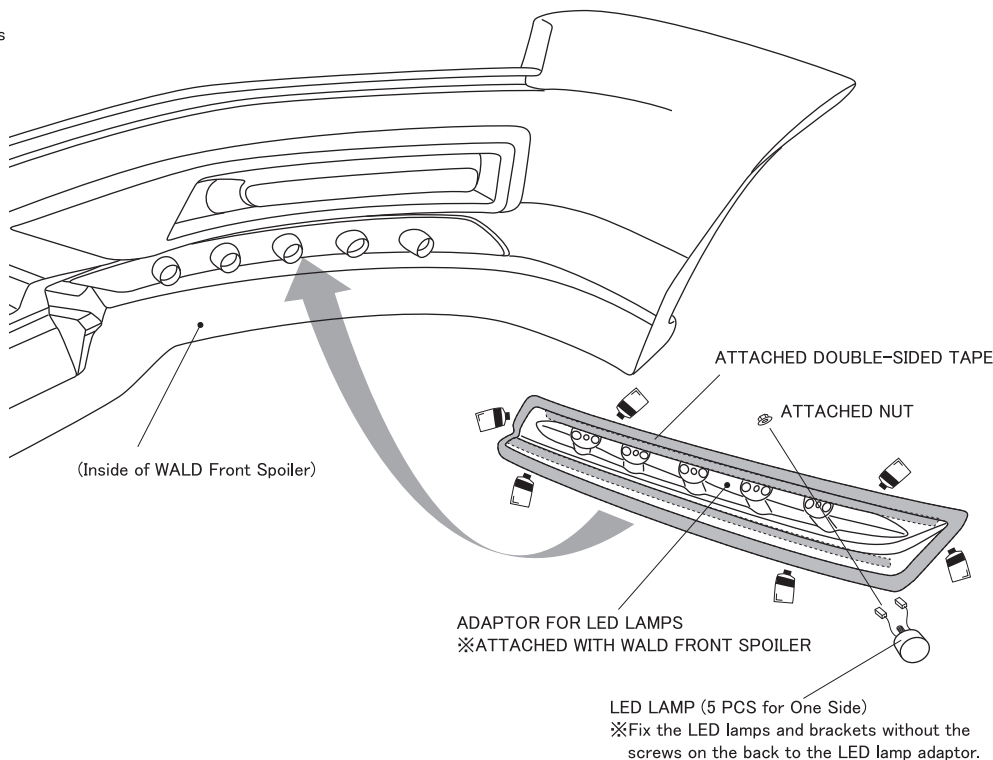
LED LAMP (OPTION)

【BEFORE PAINTING】

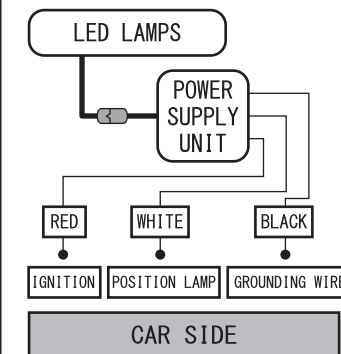
- 1) Temporarily fix the attached LED lamps with the attached adaptor according to the holes on WALD Front Spoiler.
- ※ Adjust the details of WALD Front Spoiler to fit the attached LED lamps by rasps or sandpapers.
- 2) Prepare to connect the attached LED lamps.
- ※ Insulate any spare harness.

【AFTER PAINTING】

- 3) Completely degrease the installation positions, then put the attached LED lamps on the attached adaptor.
- ※ Make sure the LED lamps are fine to work before the installation.
- 4) Use caulking glue and double-sided tape to fix the attached adaptor with LED lamps on WALD Front Spoiler.
- ※ Fold the both ends of release paper of double sided tape to adjust the location.
- 5) Leave them till completely fixed.
- 6) Install WALD Front Spoiler to OEM front bumper after connecting the harness.



■ LED LAMP WIRING DIAGRAM



※ Need to prepare the Remote Control Harness only for the case turning on the lamps separately.

ATTENTION

- ※ REMOVE THE BATTERY BEFORE ALL THE WIRING WORKS.
- ※ MAKE SURE OEM FOG LAMPS ARE FINE TO WORK BEFORE THE INSTALLATION.

THANK YOU FOR PURCHASING. THIS IS THE INSTALLATION MANUAL OF WALD REAR SKIRT FOR TOYOTA LAND CRUISER.
PLEASE READ THIS MANUAL CAREFULLY BEFORE THE INSTALLATION.

ATTENTION

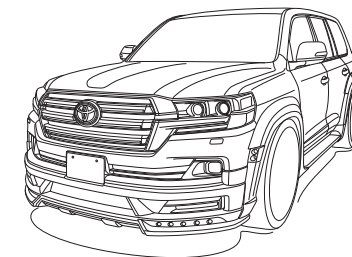


- We assume no responsibility for any damage resulting from improper installation, painting, modification and any cut wound in unsealing.
- Contact the car dealer when you have any question in removing OEM parts.
- During all the installation process, use parking brake and stop the engine completely.
- Use rasps or sandpapers to fit the products to the body if there is an individual difference.
- The product is made of FRP. Handle with care. Do not give the excessive force. Gradually fix the bolts and nuts by checking the fitment and balance of the installation.
- Check the fitment, and adjust all the details of the fitment steady and proper. Please check the fitment and all the details regularly, fix the bolts and nuts as necessary.
- The instruction of painting is just our recommendation, please paint it as you like.
- ※ PLEASE BE AWARE OF:
 - You may lose the warranty and all the services from the car maker, because of replacing OEM parts.
 - Reduced road clearance may cause inconvenience in using parking curbs and garage jack.
 - FRP, ABS and PPE products are slightly weaker than OEM parts in crashes.

Please purchase double sided tape, primer and caulking glue at auto accessory shop or hardware store.

Completely degrease and paint primer on all the installation positions to enhance the viscosity of double sided tape.
Use dryer to warm double sided tape to enhance the viscosity in low temperature.
Keep the car in a dry condition more than 24 hours after gluing.
Do not wash the car during this time.

	PARTS	QUANTITIES
REAR SKIRT	REAR SKIRT	1
	CHROME ACCENT	1
	RUBBER MOULDING (Black/Gray)	1 SET
	LED LAMP WITH NUTS	1
	SMOOTHING PANEL (Not for installing LED Lamp)	2



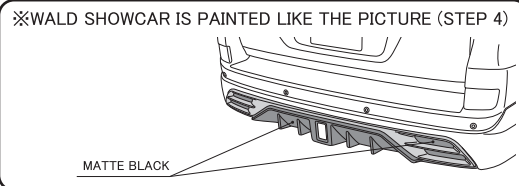
REAR SKIRT

[BEFORE PAINTING]

- 1) Temporarily install WALD Rear Skirt to the body.
- ※ Adjust the details of WALD Rear Skirt to fit the body by rasps or sandpapers.
- 2) Check the balance of the installation position of WALD Rear Skirt on OEM rear bumper.
- 3) If not installing LED lamp, fix the attached Smoothing Panel.
- 4) Paint WALD Rear Skirt according to the picture.

[AFTER PAINTING]

- 5) Install the attached LED lamp on WALD Rear Skirt.
- ※ Make sure the LED lamp is fine to work before the installation.
- 6) Put the attached Rubber Moulding on WALD Rear Skirt.
- 7) Completely degrease the installation position of WALD Rear Skirt and OEM rear bumper.
- 8) Use caulking glue and the attached double-sided tape to install WALD Rear Skirt to OEM rear bumper, then fix all OEM bolts tightly.
- ※ Fold the both ends of release paper of double sided tape to adjust the location.
- 9) Check all the details of the fitment.
- 10) Fix the attached Chrome Accent on WALD Front Spoiler with caulking glue and the attached double-sided tape.
- 11) Leave it till completely fixed.

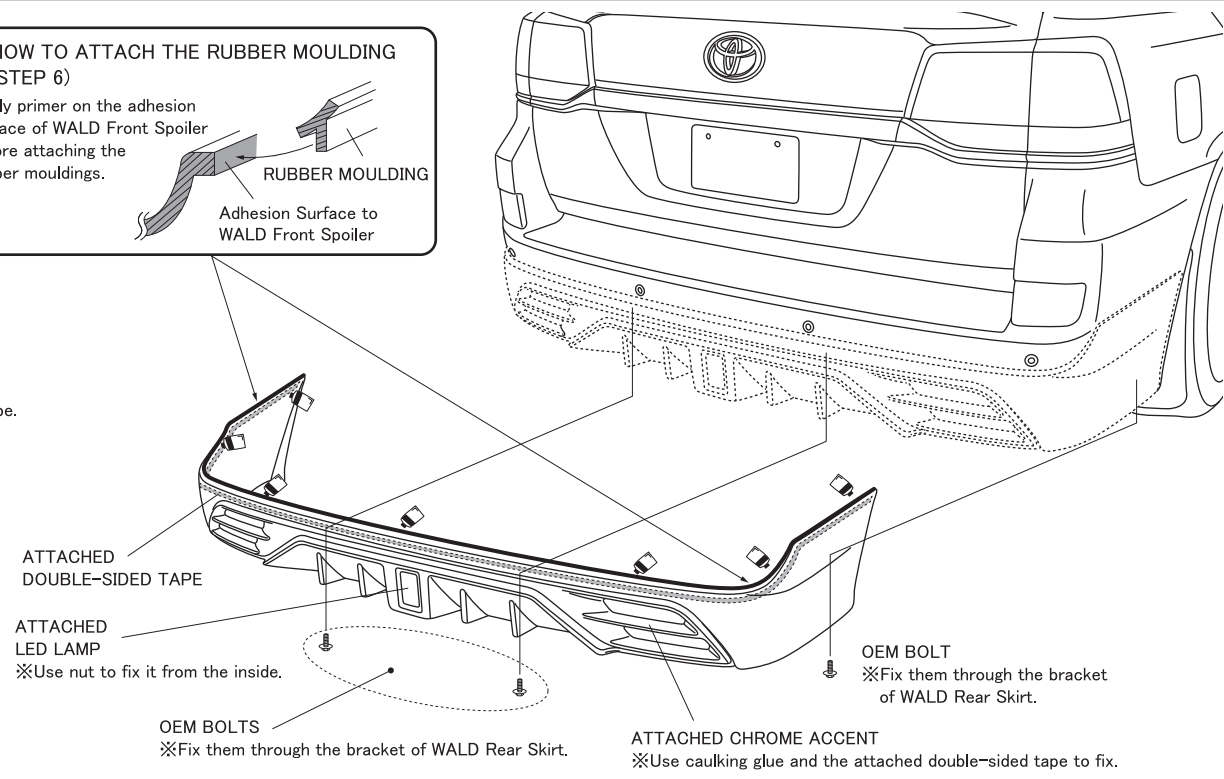


■ HOW TO ATTACH THE RUBBER MOULDING (STEP 6)

Apply primer on the adhesion surface of WALD Front Spoiler before attaching the rubber mouldings.

RUBBER MOULDING

Adhesion Surface to WALD Front Spoiler



ATTENTION

- ※ MORE THAN 2 TECHNICIANS ARE NECESSARY IN THIS WORK.
- ※ DURING ALL THE INSTALLATION PROCESS, PLEASE BE CAREFUL NOT TO DAMAGE THE BODY.
- ※ MAKE SURE THE ATTACHED LED LAMPS IS FINE TO WORK BEFORE THE INSTALLATION
- ※ ADJUST ALL THE DETAILS OF OUR PRODUCTS TO FIT ON A CAR PERFECTLY.

THANK YOU FOR PURCHASING. THIS IS THE INSTALLATION MANUAL OF WALD REAR GATE SPOILER FOR TOYOTA LAND CRUISER.
PLEASE READ THIS MANUAL CAREFULLY BEFORE THE INSTALLATION.

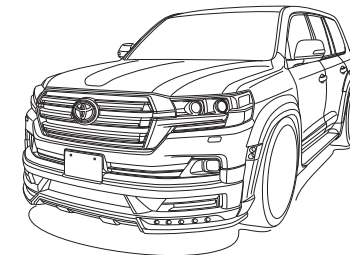
ATTENTION

- We assume no responsibility for any damage resulting from improper installation, painting, modification and any cut wound in unsealing.
 - Contact the car dealer when you have any question in removing OEM parts.
 - During all the installation process, use parking brake and stop the engine completely.
 - Use rasps or sandpapers to fit the products to the body if there is an individual difference.
 - The product is made of FRP. Handle with care. Do not give the excessive force. Gradually fix the bolts and nuts by checking the fitment and balance of the installation.
 - Check the fitment, and adjust all the details of the fitment steady and proper. Please check the fitment and all the details regularly, fix the bolts and nuts as necessary.
 - The instruction of painting is just our recommendation, please paint it as you like.
- ※ PLEASE BE AWARE OF:
- You may lose the warranty and all the services from the car maker, because of replacing OEM parts.
 - Reduced road clearance may cause inconvenience in using parking curbs and garage jack.
 - FRP, ABS and PPE products are slightly weaker than OEM parts in crashes.

Please purchase double sided tape, primer and caulking glue at auto accessory shop or hardware store.

Completely degrease and paint primer on all the installation positions to enhance the viscosity of double sided tape.
Use dryer to warm double sided tape to enhance the viscosity in low temperature.
Keep the car in a dry condition more than 24 hours after gluing.
Do not wash the car during this time.

	PARTS	QUANTITIES
REAR GATE SPOILER	REAR GATE SPOILER	1



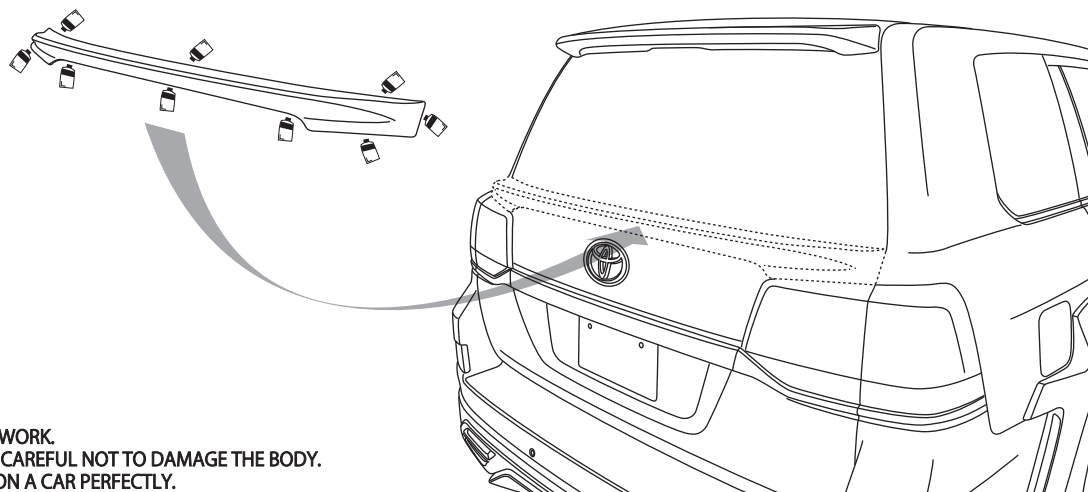
REAR GATE SPOILER

[BEFORE PAINTING]

- 1) Temporarily install WALD Rear Gate Spoiler to the body.
- 2) Mark the installation position on the body with masking tape, then remove WALD Rear Gate Spoiler.

[AFTER PAINTING]

- 3) Use caulking glue to install WALD Rear Gate Spoiler to the body after completely degreasing the installation position.
- 4) Leave it till completely fixed.

**ATTENTION**

- ※ MORE THAN 2 TECHNICIANS ARE NECESSARY IN THIS WORK.
- ※ DURING ALL THE INSTALLATION PROCESS, PLEASE BE CAREFUL NOT TO DAMAGE THE BODY.
- ※ ADJUST ALL THE DETAILS OF OUR PRODUCTS TO FIT ON A CAR PERFECTLY.



THANK YOU FOR PURCHASING. THIS IS THE INSTALLATION MANUAL OF WALD OVER FENDER FOR TOYOTA LAND CRUISER.
PLEASE READ THIS MANUAL CAREFULLY BEFORE THE INSTALLATION.

ATTENTION

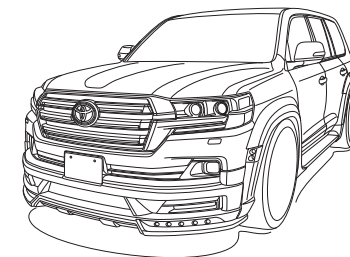


- We assume no responsibility for any damage resulting from improper installation, painting, modification and any cut wound in unsealing.
- Contact the car dealer when you have any question in removing OEM parts.
- During all the installation process, use parking brake and stop the engine completely.
- Use rasps or sandpapers to fit the products to the body if there is an individual difference.
- The product is made of FRP. Handle with care. Do not give the excessive force. Gradually fix the bolts and nuts by checking the fitment and balance of the installation.
- Check the fitment, and adjust all the details of the fitment steady and proper. Please check the fitment and all the details regularly, fix the bolts and nuts as necessary.
- The instruction of painting is just our recommendation, please paint it as you like.
- ※ PLEASE BE AWARE OF:
 - You may lose the warranty and all the services from the car maker, because of replacing OEM parts.
 - Reduced road clearance may cause inconvenience in using parking curbs and garage jack.
 - FRP, ABS and PPE products are slightly weaker than OEM parts in crashes.

Please purchase double sided tape, primer and caulking glue at auto accessory shop or hardware store.

Completely degrease and paint primer on all the installation positions to enhance the viscosity of double sided tape.
Use dryer to warm double sided tape to enhance the viscosity in low temperature.
Keep the car in a dry condition more than 24 hours after gluing.
Do not wash the car during this time.

	PARTS	QUANTITIES
OVER FENDER	OVER FENDER	1 SET
	LED LAMPS	1 SET
	TAPPING SCREWS (M4 x 15)	20



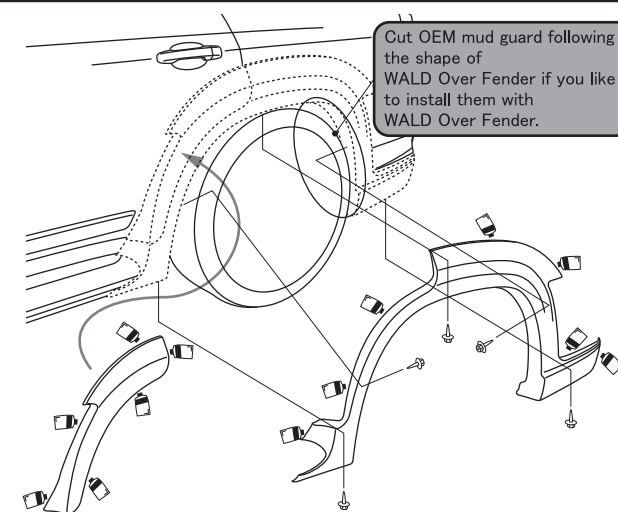
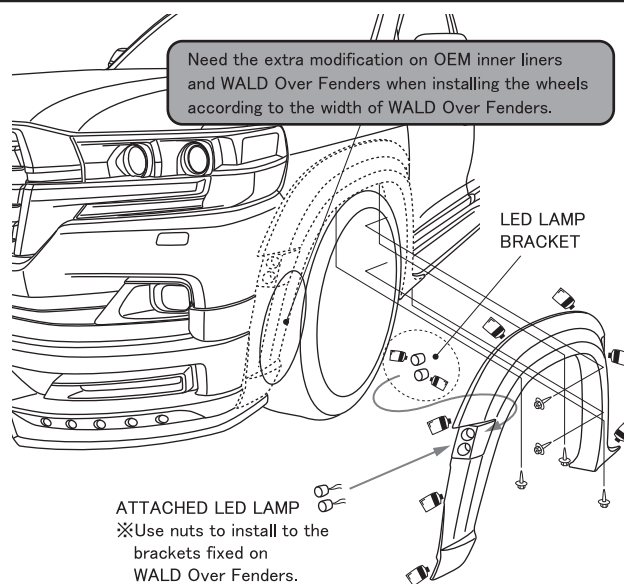
OVER FENDER

[BEFORE PAINTING]

- 1) Temporarily fix the attached LED lamps to WALD Over Fender.
- ※ Adjust the details of WALD Over Fenders to fit the attached LED lamps by rasps or sandpapers.
- 2) Mark the installation positions on the body with masking tape after checking the fitting.
- 3) Make holes on WALD Over Fenders and the body to fix the attached tapping screws.
- 4) Prepare to connect the attached LED lamps.
- ※ ※Insulate any spare harness.
- 5) Paint WALD Over Fenders according to the picture.

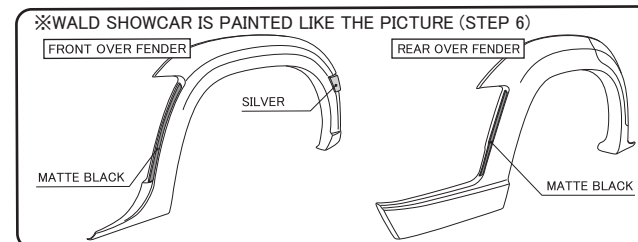
[AFTER PAINTING]

- 6) Completely degrease the installation positions, then use caulking glue to fix the attached LED lamp brackets.
- ※ When fixing with caulking glue, LED lamps must be taken off from the brackets.
- 7) Fix LED lamps to the brackets and connect all the harness.
- ※ Make sure the attached LED lamps are fine to work before the installation.
- 8) Completely degrease the installation positions, then use caulking glue to install WALD Over Fenders to the body.
- 9) Leave them till completely fixed.



ATTACHED LED LAMP
※Use nuts to install to the brackets fixed on WALD Over Fenders.

Use the attached tapping screws (M4 x 15) only to install WALD Over Fenders.
Caulking glue must be a Silicone-Based Adhesive.



ATTENTION

- ※ MORE THAN 2 TECHNICIANS ARE NECESSARY IN THIS WORK.
- ※ DURING ALL THE INSTALLATION PROCESS, PLEASE BE CAREFUL NOT TO DAMAGE THE BODY.
- ※ REMOVE THE BATTERY BEFORE ALL THE WIRING WORKS.
- ※ ADJUST ALL THE DETAILS OF OUR PRODUCTS TO FIT ON A CAR PERFECTLY.