

# Mercedes Benz M-class W166 (2012y~)

WALD SPORTS LINE  
BLACK BISON EDITION

INSTALLATION MANUAL  
**WALD**  
Sportliche Autoausrüstung WALD.International

THANK YOU FOR PURCHASING. THIS IS THE INSTALLATION MANUAL OF WALD FRONT BUMPER FOR MERCEDES-BENZ W166 M-CLASS.  
PLEASE READ THIS MANUAL CAREFULLY BEFORE THE INSTALLATION.

ATTENTION



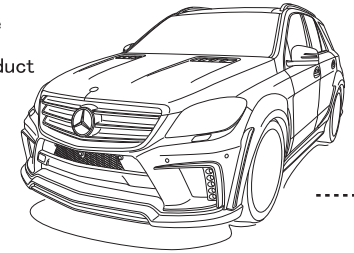
- ※ NO RETURNS CAN BE ACCEPTED BECAUSE OF IMPROPER INSTALLATION OR PAINTING.
- ※ CHECK THE FITMENT, AND ADJUST ALL THE DETAILS BEFORE PAINTING.
- We assume no responsibility for any damage resulting from improper installation, painting, modification and any cut wound in unsealing.
- Contact the car dealer when you have any question in removing OEM parts.
- During all the installation process, use parking brake and stop the engine completely.
- Use rasps or sandpapers to fit the products to the body if there is an individual difference.
- The product is made of FRP. Handle with care. Do not give the excessive force. Gradually fix the bolts and nuts by checking the fitment and balance of the installation.
- Check the fitment, and adjust all the details of the fitment steady and proper. Please check the fitment and all the details regularly, fix the bolts and nuts as necessary.
- The instruction of painting is just our recommendation, please paint it as you like.
- ※ PLEASE BE AWARE OF:
- You may lose the warranty and all the services from the car maker, because of replacing OEM parts.
- Reduced road clearance may cause inconvenience in using parking curbs and garage jack.
- FRP, ABS and PPE products are slightly weaker than OEM parts in crashes.
- The product may not match the body and OEM color perfectly.

Please purchase double sided tape, primer and caulking glue at auto accessory shop or hardware store.

Completely degrease and paint primer on all the installation positions to enhance the viscosity of double sided tape.  
Use dryer to warm double sided tape to enhance the viscosity in low temperature.  
Keep the car in a dry condition more than 24 hours after gluing.  
Do not wash the car during this time.

	PARTS	QUANTITIES
FRONT BUMPER	FRONT BUMPER	1
	LED LAMP	1 SET
	MESHES	1 SET
	TOW HOOK COVER	1
	RESISTOR	1 SET

Use caulking glue to fill the gap between the product and the body.



## FRONT BUMPER

### [BEFORE PAINTING]

- 1) Remove OEM front bumper according to the Mercedes-Benz service manual.
- 2) Make holes according to the cutting line on WALD Front Bumper for the car equipping PTS.
- 3) Temporarily relocate OEM inner parts and OEM front grille to WALD Front Bumper. (As per enclosure)
- ※ Adjust the details of WALD Front Bumper to fit the body by rasps or sandpapers. (As per enclosures)
- 4) Take off WALD Front Bumper from the body and temporarily fix the attached LED lamps to see the fitting.
- ※ As per enclosure for LED lamp installation.
- 5) Connect the attached resistors to the attached LED lamps.
- 6) Paint WALD Front Bumper according to the picture.

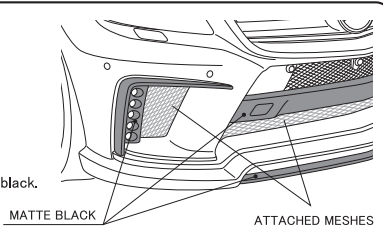
### [AFTER PAINTING]

- 7) Use pins and caulking glue to install the attached meshes to WALD Front Bumper from the rear.
- 8) Install PTS, OEM inner parts and the attached LED lamps, then install WALD Front Bumper to the body.
- ※ Make sure the attached LED lamp kit is fine to work before the installation.
- 9) Check all the details of the fitment, then tighten all the bolts and tapping screws.

※ WALD SHOWCAR IS PAINTED LIKE THE PICTURE (STEP 6)

■ HOW TO INSTALL THE ATTACHED MESHES (STEP 7)

Use pins and caulking glue to install the attached meshes to WALD Front Bumper from the rear.  
※ Paint the inside of the ducts and pins in black.

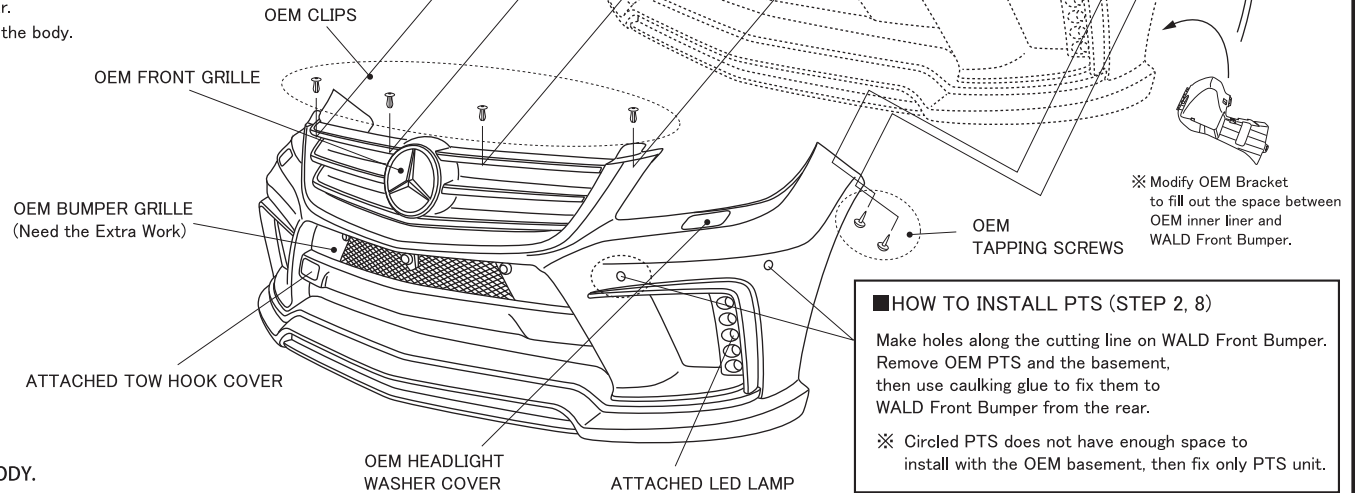


### ■ HOW TO CONNECT THE ATTACHED RESISTORS (STEP 5)

Installing the attached resistors to the original harness of OEM LED daytime running system to delete the warning lamp.



※ Please fix the attached resistors away from any of the harness because of its heat.



### ■ HOW TO INSTALL PTS (STEP 2, 8)

Make holes along the cutting line on WALD Front Bumper. Remove OEM PTS and the basement, then use caulking glue to fix them to WALD Front Bumper from the rear.

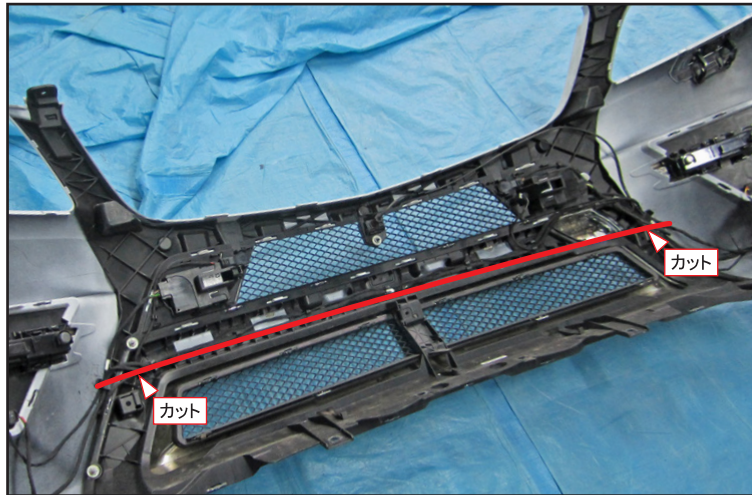
※ Circled PTS does not have enough space to install with the OEM basement, then fix only PTS unit.

ATTENTION

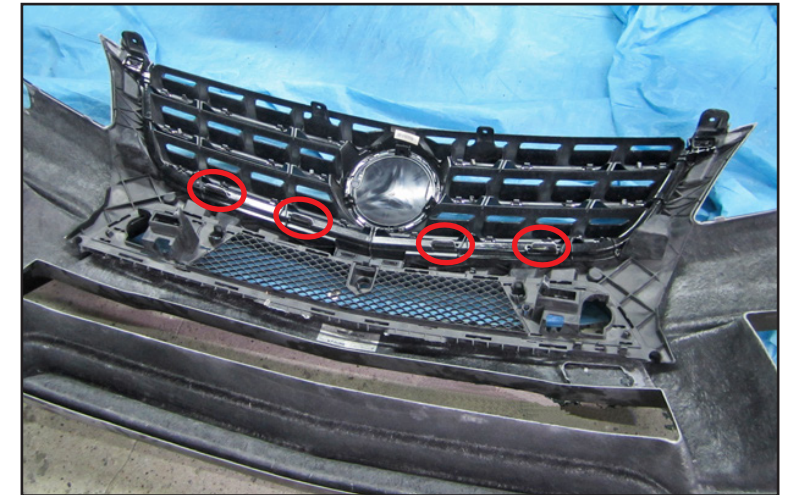
- ※ MORE THAN 2 TECHNICIANS ARE NECESSARY IN THIS WORK.
- ※ DURING ALL THE INSTALLATION PROCESS, PLEASE BE CAREFUL NOT TO DAMAGE THE BODY.
- ※ ADJUST ALL THE DETAILS OF OUR PRODUCTS TO FIT ON A CAR PERFECTLY.

THANK YOU FOR PURCHASING. THIS IS THE INSTALLATION MANUAL OF HOW TO ADJUST OEM INNER PARTS TO FIT WITH WALD FRONT BUMPER FOR W166 M-CLASS.

## HOW TO FIX OEM INNER PARTS 1



Cut and Shave OEM inner parts according to the red lines on the picture to fit with WALD Front Bumper.  
※ The shape and size of OEM inner parts depend on Grade and Model.  
Therefore the picture here are just for your reference.  
Main idea is to adjust the shape of OEM inner parts to fit on WALD Front Bumper.



Install the OEM inner parts to WALD Front Bumper and use caulking glue to fix.  
※The nails of OEM front grille (red circled) must be glued to prevent losing.



Remove OEM headlight washer cover from OEM front bumper.



Use caulking glue to fix OEM headlight washer covers on WALD Front Bumper.

# Mercedes Benz M-class W166 (2012y~)

WALD SPORTS LINE  
BLACK BISON EDITION

INSTALLATION MANUAL  
**WALD**  
Sportliche Autoausrüstung WALD.International

THANK YOU FOR PURCHASING. THIS IS THE INSTALLATION MANUAL OF WALD SIDE STEPS FOR MERCEDES-BENZ W166 M-CLASS.  
PLEASE READ THIS MANUAL CAREFULLY BEFORE THE INSTALLATION.

ATTENTION



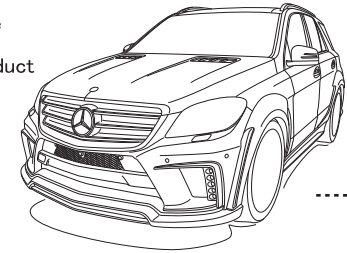
- ※ NO RETURNS CAN BE ACCEPTED BECAUSE OF IMPROPER INSTALLATION OR PAINTING.
- ※ CHECK THE FITMENT, AND ADJUST ALL THE DETAILS BEFORE PAINTING.
- We assume no responsibility for any damage resulting from improper installation, painting, modification and any cut wound in unsealing.
- Contact the car dealer when you have any question in removing OEM parts.
- During all the installation process, use parking brake and stop the engine completely.
- Use rasps or sandpapers to fit the products to the body if there is an individual difference.
- The product is made of FRP. Handle with care. Do not give the excessive force. Gradually fix the bolts and nuts by checking the fitment and balance of the installation.
- Check the fitment, and adjust all the details of the fitment steady and proper. Please check the fitment and all the details regularly, fix the bolts and nuts as necessary.
- The instruction of painting is just our recommendation, please paint it as you like.
- ※ PLEASE BE AWARE OF:
- You may lose the warranty and all the services from the car maker, because of replacing OEM parts.
- Reduced road clearance may cause inconvenience in using parking curbs and garage jack.
- FRP, ABS and PPE products are slightly weaker than OEM parts in crashes.
- The product may not match the body and OEM color perfectly.

Please purchase double sided tape, primer and caulking glue at auto accessory shop or hardware store.

Completely degrease and paint primer on all the installation positions to enhance the viscosity of double sided tape.  
Use dryer to warm double sided tape to enhance the viscosity in low temperature.  
Keep the car in a dry condition more than 24 hours after gluing.  
Do not wash the car during this time.

	PARTS	QUANTITIES
SIDE STEPS	SIDE STEPS	1 SET
	BRACKET	1 SET
	NUT (M6)	2
	BOLT & NUT (M5 x 15)	2 SETS

Use caulking glue to fill the gap between the product and the body.



## SIDE STEP

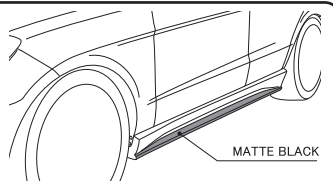
### [BEFORE PAINTING]

- 1) Remove OEM sidesteps according to the Mercedes-Benz service manual.
- ※ Need to take off OEM Jack-Up Points from the body.
- 2) Need to fix OEM Jack-Up Points to the body after removing OEM sidesteps.
- 3) Temporarily install WALD Side Steps to the body with the attached brackets.
- ※ Adjust the details of WALD Side Steps to fit the body by rasps or sandpapers.
- 4) Mark the location of the holes for the attached brackets after checking the balance.
- ※ As per enclosure for LED lamp installation.
- 5) Take off WALD Side Steps, then make holes according to the marked positions.
- 6) Paint WALD Side Steps according to the picture.

### [AFTER PAINTING]

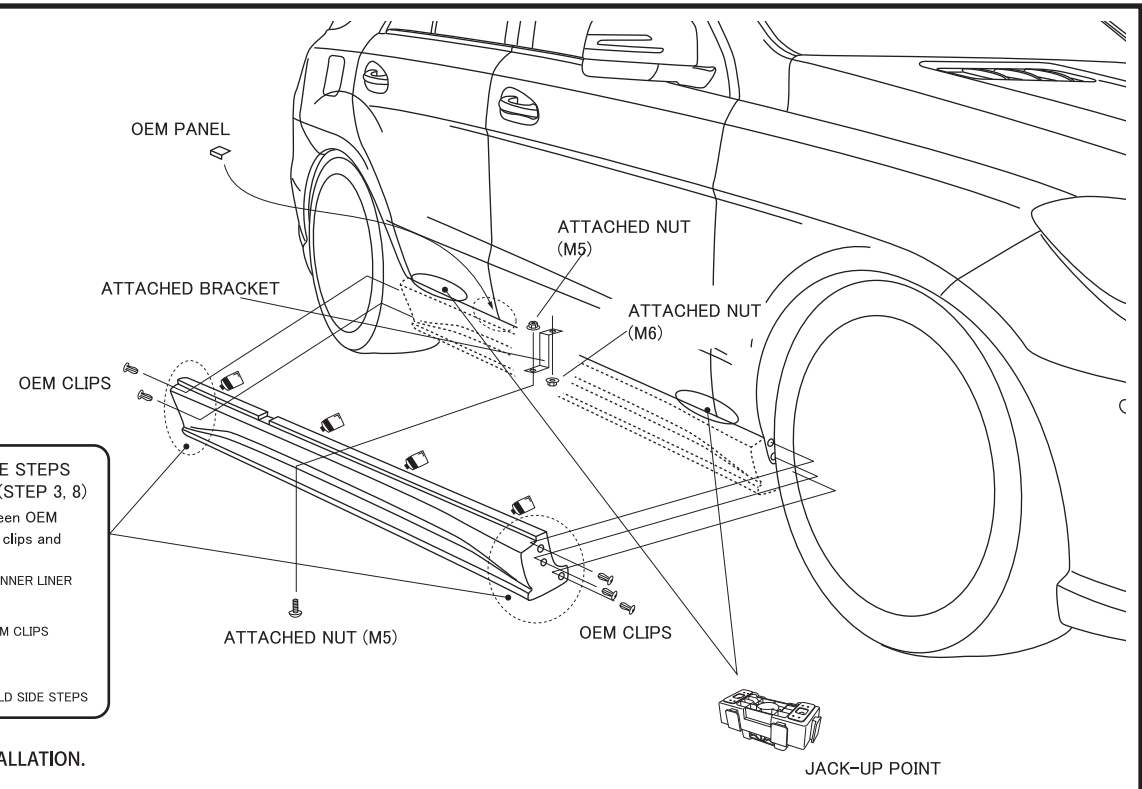
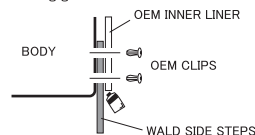
- 7) Completely degrease the installation positions, then use caulking glue to install WALD Side Steps to the body.
- 8) Check all the details of the fitment.
- 9) Use masking tape to fix WALD Side Steps to the body, then leave them till completely fixed.

※ WALD SHOWCAR IS PAINTED LIKE THE PICTURE (STEP 6)



### ■ HOW TO FIX WALD SIDE STEPS (STEP 3, 8)

Bind WALD Side Steps between OEM inner liner and Body by OEM clips and use caulking glue.



ATTENTION

- ※ MORE THAN 2 TECHNICIANS ARE NECESSARY IN THIS WORK.
- DURING ALL THE INSTALLATION PROCESS, PLEASE BE CAREFUL NOT TO DAMAGE THE BODY.
- ※ DEGREASE ALL THE INSTALLATION POSITIONS, AND REMOVE THE BODY PROTECTION COATING BEFORE THE INSTALLATION.
- ※ ADJUST ALL THE DETAILS OF OUR PRODUCTS TO FIT ON A CAR PERFECTLY.

# Mercedes Benz M-class W166 (2012y~)

WALD SPORTS LINE  
BLACK BISON EDITION

INSTALLATION MANUAL  
**WALD**  
Sportliche Autoausrüstung WALD.International

THANK YOU FOR PURCHASING. THIS IS THE INSTALLATION MANUAL OF WALD REAR BUMPER FOR MERCEDES-BENZ W166 M-CLASS.  
PLEASE READ THIS MANUAL CAREFULLY BEFORE THE INSTALLATION.

ATTENTION



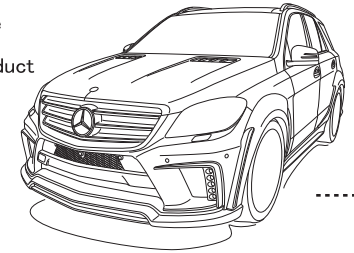
- ※ NO RETURNS CAN BE ACCEPTED BECAUSE OF IMPROPER INSTALLATION OR PAINTING.
- ※ CHECK THE FITMENT, AND ADJUST ALL THE DETAILS BEFORE PAINTING.
- We assume no responsibility for any damage resulting from improper installation, painting, modification and any cut wound in unsealing.
- Contact the car dealer when you have any question in removing OEM parts.
- During all the installation process, use parking brake and stop the engine completely.
- Use rasps or sandpapers to fit the products to the body if there is an individual difference.
- The product is made of FRP. Handle with care. Do not give the excessive force. Gradually fix the bolts and nuts by checking the fitment and balance of the installation.
- Check the fitment, and adjust all the details of the fitment steady and proper. Please check the fitment and all the details regularly, fix the bolts and nuts as necessary.
- The instruction of painting is just our recommendation, please paint it as you like.
- ※ PLEASE BE AWARE OF:
- You may lose the warranty and all the services from the car maker, because of replacing OEM parts.
- Reduced road clearance may cause inconvenience in using parking curbs and garage jack.
- FRP, ABS and PPE products are slightly weaker than OEM parts in crashes.
- The product may not match the body and OEM color perfectly.

Please purchase double sided tape, primer and caulking glue at auto accessory shop or hardware store.

Completely degrease and paint primer on all the installation positions to enhance the viscosity of double sided tape.  
Use dryer to warm double sided tape to enhance the viscosity in low temperature.  
Keep the car in a dry condition more than 24 hours after gluing.  
Do not wash the car during this time.

	PARTS	QUANTITIES
REAR BUMPER	REAR BUMPER	1
	LED REFLECTOR	1 SET
	MESHES	1 SET
	BRACKETS	1 SET
	BOLTS & NUTS (M5 x 15)	2 SETS

Use caulking glue to fill the gap between the product and the body.



## REAR BUMPER

### [BEFORE PAINTING]

- 1) Remove OEM rear bumper according to the Mercedes-Benz service manual.
- 2) Make holes along the cutting line on WALD Rear Bumper for the car equipping PTS.
- 3) Fix the attached brackets on WALD Rear Bumper, and temporarily install to the body.
- ※ Adjust the details of WALD Rear Bumper to fit the body by rasps or sandpapers.
- 4) Paint WALD Rear Bumper according to the picture.

### [AFTER PAINTING]

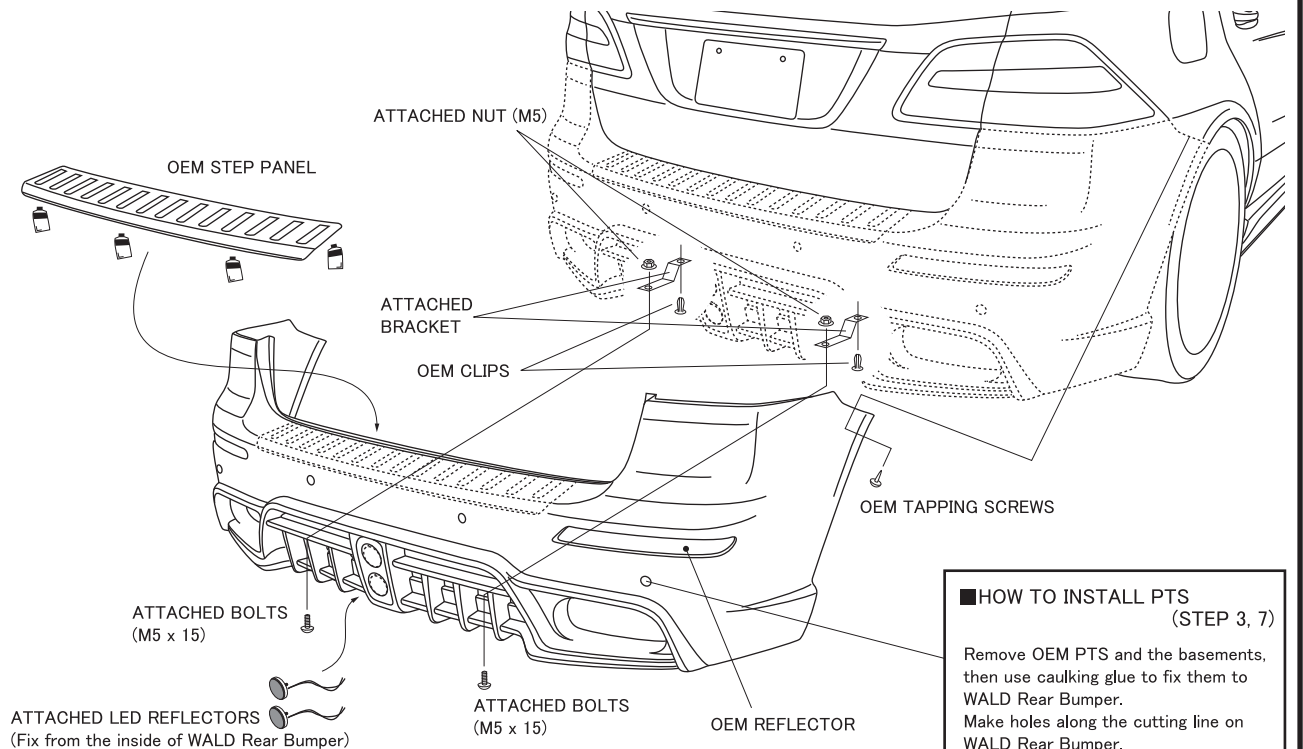
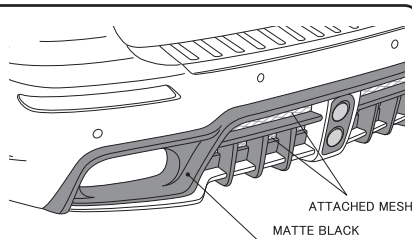
- 5) Use pins and caulking glue to install the attached meshes to WALD Rear Bumper from the rear.
- 6) Relocate all the necessary parts to WALD Rear Bumper, then temporarily install to the body.
- ※ Remove OEM PTS brackets to WALD Rear Bumper (As per enclosures).
- 7) Check all the details of the fitment, then fix them tightly.

※ WALD SHOWCAR IS PAINTED LIKE THE PICTURE (STEP 4)

■ HOW TO INSTALL THE ATTACHED MESHES (STEP 5)

Use pins and caulking glue to install the attached meshes to WALD Rear Bumper from the rear.

※ Paint the inside of the ducts and pins in black.



■ HOW TO INSTALL PTS (STEP 3, 7)

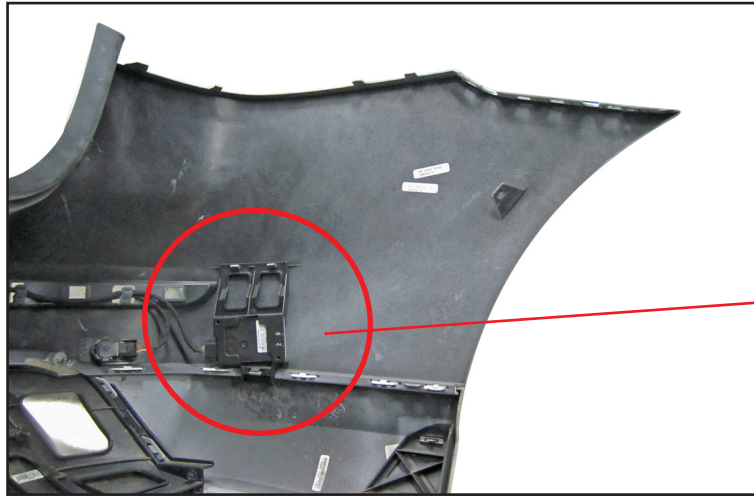
Remove OEM PTS and the basements, then use caulking glue to fix them to WALD Rear Bumper.  
Make holes along the cutting line on WALD Rear Bumper.

ATTENTION

- ※ MORE THAN 2 TECHNICIANS ARE NECESSARY IN THIS WORK.
- ※ DURING ALL THE INSTALLATION PROCESS, PLEASE BE CAREFUL NOT TO DAMAGE THE BODY.
- ※ ADJUST ALL THE DETAILS OF OUR PRODUCTS TO FIT ON A CAR PERFECTLY.

THANK YOU FOR PURCHASING. THIS IS THE INSTALLATION MANUAL OF HOW TO REPLACE OEM INNER PARTS OF W166 M-CLASS.

HOW TO FIX  
OEM INNER PARTS 1



Remove whole PTS unit and bracket from OEM rear bumper, then fix on WALD Rear Bumper.



PTS Unit Bracket.

※Use caulking glue to fix them on WALD Rear Bumper at the same location on OEM rear bumper.



# Mercedes Benz M-class W166 (2012y~)

WALD SPORTS LINE  
BLACK BISON EDITION

INSTALLATION MANUAL  
**WALD**  
Sportliche Autoausrüstung WALD.International

THANK YOU FOR PURCHASING. THIS IS THE INSTALLATION MANUAL OF WALD OVER FENDER FOR MERCEDES-BENZ W166 M-CLASS.  
PLEASE READ THIS MANUAL CAREFULLY BEFORE THE INSTALLATION.

ATTENTION



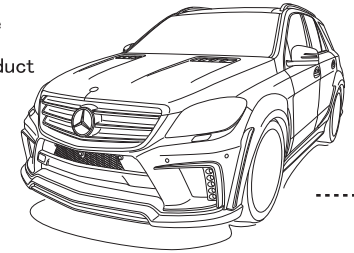
- ※ NO RETURNS CAN BE ACCEPTED BECAUSE OF IMPROPER INSTALLATION OR PAINTING.
- ※ CHECK THE FITMENT, AND ADJUST ALL THE DETAILS BEFORE PAINTING.
- We assume no responsibility for any damage resulting from improper installation, painting, modification and any cut wound in unsealing.
- Contact the car dealer when you have any question in removing OEM parts.
- During all the installation process, use parking brake and stop the engine completely.
- Use rasps or sandpapers to fit the products to the body if there is an individual difference.
- The product is made of FRP. Handle with care. Do not give the excessive force. Gradually fix the bolts and nuts by checking the fitment and balance of the installation.
- Check the fitment, and adjust all the details of the fitment steady and proper. Please check the fitment and all the details regularly, fix the bolts and nuts as necessary.
- The instruction of painting is just our recommendation, please paint it as you like.
- ※ PLEASE BE AWARE OF:
- You may lose the warranty and all the services from the car maker, because of replacing OEM parts.
- Reduced road clearance may cause inconvenience in using parking curbs and garage jack.
- FRP, ABS and PPE products are slightly weaker than OEM parts in crashes.
- The product may not match the body and OEM color perfectly.

Please purchase double sided tape, primer and caulking glue at auto accessory shop or hardware store.

Completely degrease and paint primer on all the installation positions to enhance the viscosity of double sided tape.  
Use dryer to warm double sided tape to enhance the viscosity in low temperature.  
Keep the car in a dry condition more than 24 hours after gluing.  
Do not wash the car during this time.

	PARTS	QUANTITIES
OVER FENDER	OVER FENDER	1 SET
	LED LAMPS	1 SET
	TAPPING SCREWS (M4 x 15)	20

Use caulking glue to fill the gap between the product and the body.



## OVER FENDER

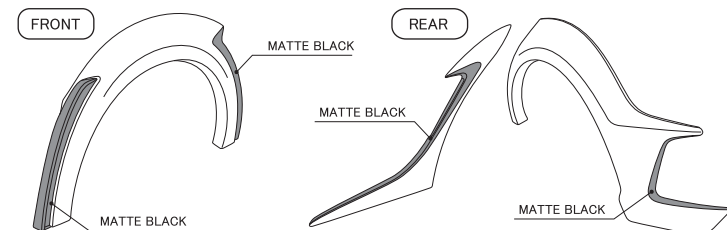
### 【BEFORE PAINTING】

- 1) Temporarily install WALD Over Fenders to the body.
- ※ Adjust the details of WALD Over Fenders to fit the body by rasps or sandpapers.
- 2) Mark the installation positions for the attached tapping screws on the body after checking the fitting.
- 3) Make holes on WALD Over Fenders and the body according to the marked positions.
- 4) Paint WALD Over Fenders according to the picture.

### 【AFTER PAINTING】

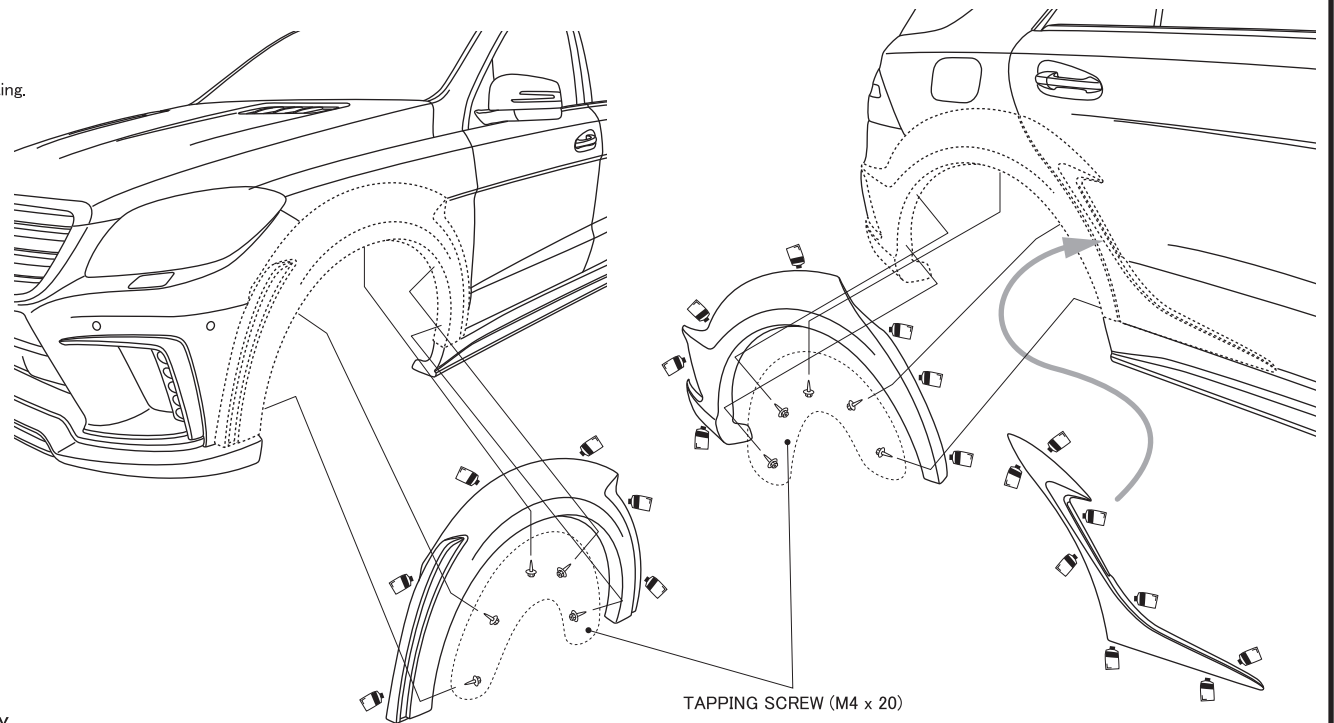
- 5) Completely degrease the installation positions, then use caulking glue to install WALD Over Fenders to the body.
- 6) Check all the details of the fitment.
- 6) Leave them till completely fixed.

※ WALD SHOWCAR IS PAINTED LIKE THE PICTURE (STEP 4)



ATTENTION

- ※ MORE THAN 2 TECHNICIANS ARE NECESSARY IN THIS WORK. DURING ALL THE INSTALLATION PROCESS, PLEASE BE CAREFUL NOT TO DAMAGE THE BODY.
- ※ REMOVE THE BATTERY BEFORE ALL THE WIRING WORKS.
- ※ ADJUST ALL THE DETAILS OF OUR PRODUCTS TO FIT ON A CAR PERFECTLY.



# Mercedes Benz M-class W166 (2012y~)

WALD SPORTS LINE  
BLACK BISON EDITION

INSTALLATION MANUAL  
**WALD**  
Sportliche Autoausrüstung WALD.International

THANK YOU FOR PURCHASING. THIS IS THE INSTALLATION MANUAL OF LED LAMPS ON WALD FRONT BUMPER FOR MERCEDES-BENZ W166 M-CLASS.  
PLEASE READ THIS MANUAL CAREFULLY BEFORE THE INSTALLATION.

ATTENTION



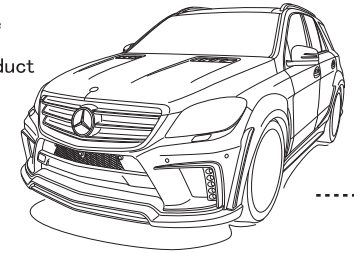
- ※ NO RETURNS CAN BE ACCEPTED BECAUSE OF IMPROPER INSTALLATION OR PAINTING.
- ※ CHECK THE FITMENT, AND ADJUST ALL THE DETAILS BEFORE PAINTING.
- We assume no responsibility for any damage resulting from improper installation, painting, modification and any cut wound in unsealing.
- Contact the car dealer when you have any question in removing OEM parts.
- During all the installation process, use parking brake and stop the engine completely.
- Use rasps or sandpapers to fit the products to the body if there is an individual difference.
- The product is made of FRP. Handle with care. Do not give the excessive force. Gradually fix the bolts and nuts by checking the fitment and balance of the installation.
- Check the fitment, and adjust all the details of the fitment steady and proper. Please check the fitment and all the details regularly, fix the bolts and nuts as necessary.
- The instruction of painting is just our recommendation, please paint it as you like.
- ※ PLEASE BE AWARE OF:
- You may lose the warranty and all the services from the car maker, because of replacing OEM parts.
- Reduced road clearance may cause inconvenience in using parking curbs and garage jack.
- FRP, ABS and PPE products are slightly weaker than OEM parts in crashes.
- The product may not match the body and OEM color perfectly.

Please purchase double sided tape, primer and caulking glue at auto accessory shop or hardware store.

Completely degrease and paint primer on all the installation positions to enhance the viscosity of double sided tape.  
Use dryer to warm double sided tape to enhance the viscosity in low temperature.  
Keep the car in a dry condition more than 24 hours after gluing.  
Do not wash the car during this time.

	PARTS	QUANTITIES
LED LAMP	LED LAMP	1 SET

Use caulking glue to fill the gap between the product and the body.



## LED LAMP

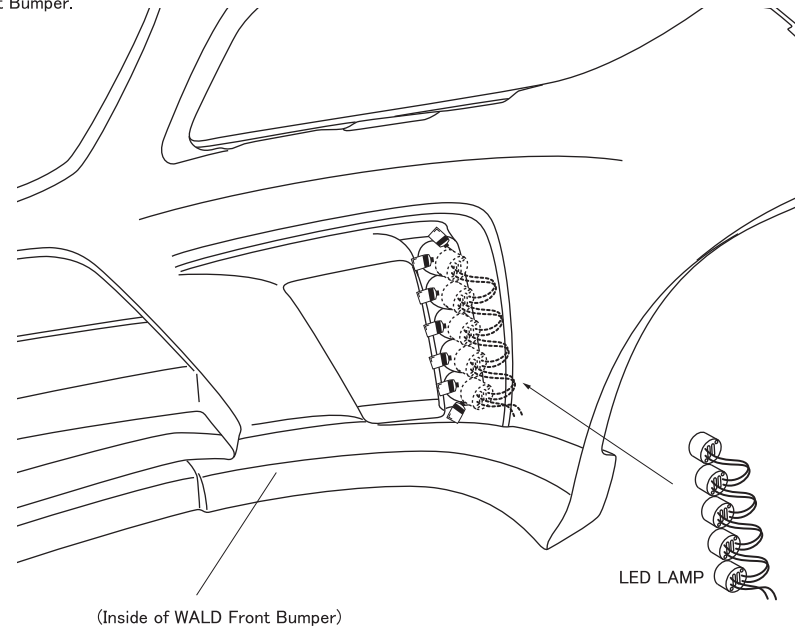
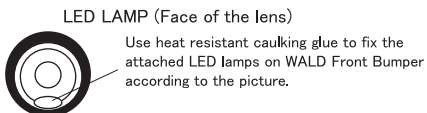
### [BEFORE PAINTING]

- 1) Temporarily fix the attached LED lamps according to the holes on WALD Front Bumper.
- ※ Adjust the details of WALD Front Bumper to fit the attached LED lamps by rasps or sandpapers.
- 2) Prepare to connect the attached LED lamps.
- ※ Insulate any spare harness.

### [AFTER PAINTING]

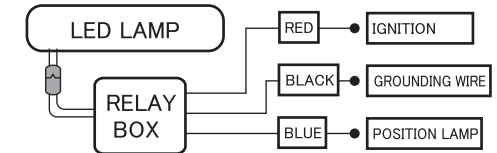
- 3) Completely degrease the installation positions, then put the attached LED lamps according to the holes on WALD Front Bumper.
- 4) Use caulking glue to fix the attached LED lamps after checking the angle and location.
- 5) Leave them till completely fixed.
- 6) Install WALD Front Bumper to the body after connecting the harness.

#### ■ HOW TO INSTALL THE ATTACHED LED LAMPS (STEP 1, 3)



※Use heat resistant caulking glue to fix the attached LED lamps.

### = WIRING DIAGRAM =



### ⚠ ATTENTION

- ※ REMOVE THE BATTERY BEFORE ALL THE WIRING WORKS.
- ※ MAKE SURE ATTACHED LED LAMPS ARE FINE TO WORK BEFORE THE INSTALLATION.