

Mercedes Benz A-class W176 (2013y~)

WALD SPORTS LINE
BLACK BISON EDITION

INSTALLATION MANUAL
WALD
Sportliche Autoausrüstung WALD.International

THANK YOU FOR PURCHASING. THIS IS THE INSTALLATION MANUAL OF WALD FRONT BUMPER FOR MERCEDES-BENZ W176 A-CLASS.
PLEASE READ THIS MANUAL CAREFULLY BEFORE THE INSTALLATION.

ATTENTION



- ※ NO RETURNS CAN BE ACCEPTED BECAUSE OF IMPROPER INSTALLATION OR PAINTING.
- ※ CHECK THE FITMENT, AND ADJUST ALL THE DETAILS BEFORE PAINTING.
- We assume no responsibility for any damage resulting from improper installation, painting, modification and any cut wound in unsealing.
- Contact the car dealer when you have any question in removing OEM parts.
- During all the installation process, use parking brake and stop the engine completely.
- Use rasps or sandpapers to fit the products to the body if there is an individual difference.
- The product is made of FRP. Handle with care. Do not give the excessive force. Gradually fix the bolts and nuts by checking the fitment and balance of the installation.
- Check the fitment, and adjust all the details of the fitment steady and proper. Please check the fitment and all the details regularly, fix the bolts and nuts as necessary.
- The instruction of painting is just our recommendation, please paint it as you like.
- ※ PLEASE BE AWARE OF:
- You may lose the warranty and all the services from the car maker, because of replacing OEM parts.
- Reduced road clearance may cause inconvenience in using parking curbs and garage jack.
- FRP, ABS and PPE products are slightly weaker than OEM parts in crashes.
- The product may not match the body and OEM color perfectly.

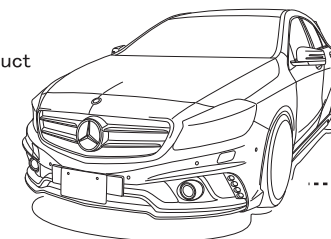
Please purchase double sided tape, primer and caulking glue at auto accessory shop or hardware store.

Completely degrease and paint primer on all the installation positions to enhance the viscosity of double sided tape.

Use dryer to warm double sided tape to enhance the viscosity in low temperature. Keep the car in a dry condition more than 24 hours after gluing. Do not wash the car during this time.

	PARTS	QUANTITIES
FRONT BUMPER	FRONT BUMPER	1
	LED LAMP KIT	1 SET
	FOG LAMP KIT	1 SET
	MESHES	1 SET
	HEADLIGHT WASHER COVER	1 SET
	TOW HOOK COVER	1
OPTION PARTS	EURO PLATE BASEMENT	1

Use caulking glue to fill the gap between the product and the body.



FRONT BUMPER

[BEFORE PAINTING]

- 1) Remove OEM front bumper according to the Mercedes-Benz service manual.
- 2) Make holes according to the cutting line on WALD Front Bumper for the car equipping PTS.
- 3) Temporarily relocate OEM inner parts to WALD Front Bumper.
- ※ Adjust the details of WALD Front Bumper to fit the body by rasps or sandpapers. (As per enclosures)
- 4) Take off WALD Front Bumper from the body and temporarily fix the attached LED lamps to see the fitting.
- ※ As per enclosure for LED lamp installation.
- 5) Paint WALD Front Bumper according to the picture.

[AFTER PAINTING]

- 6) Use pins and caulking glue to install the attached meshes to WALD Front Bumper from the rear.
- 7) Install PTS, OEM inner parts, the attached LED lamp kit and fog lamp kit, then install WALD Front Bumper to the body.
- ※ Make sure the attached LED lamps and fog lamps are fine to work before the installation.
- 8) Check all the details of the fitment, then tighten all the clips and tapping screws.

■ HOW TO INSTALL PTS (STEP 2, 7)

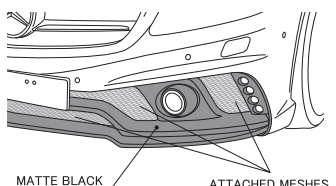
Make holes along the cutting line on WALD Front Bumper. Remove OEM PTS and the basement, then use caulking glue to fix them to WALD Front Bumper from the rear.

※ WALD SHOWCAR IS PAINTED LIKE THE PICTURE (STEP 5)

■ HOW TO INSTALL THE ATTACHED MESHES (STEP 6)

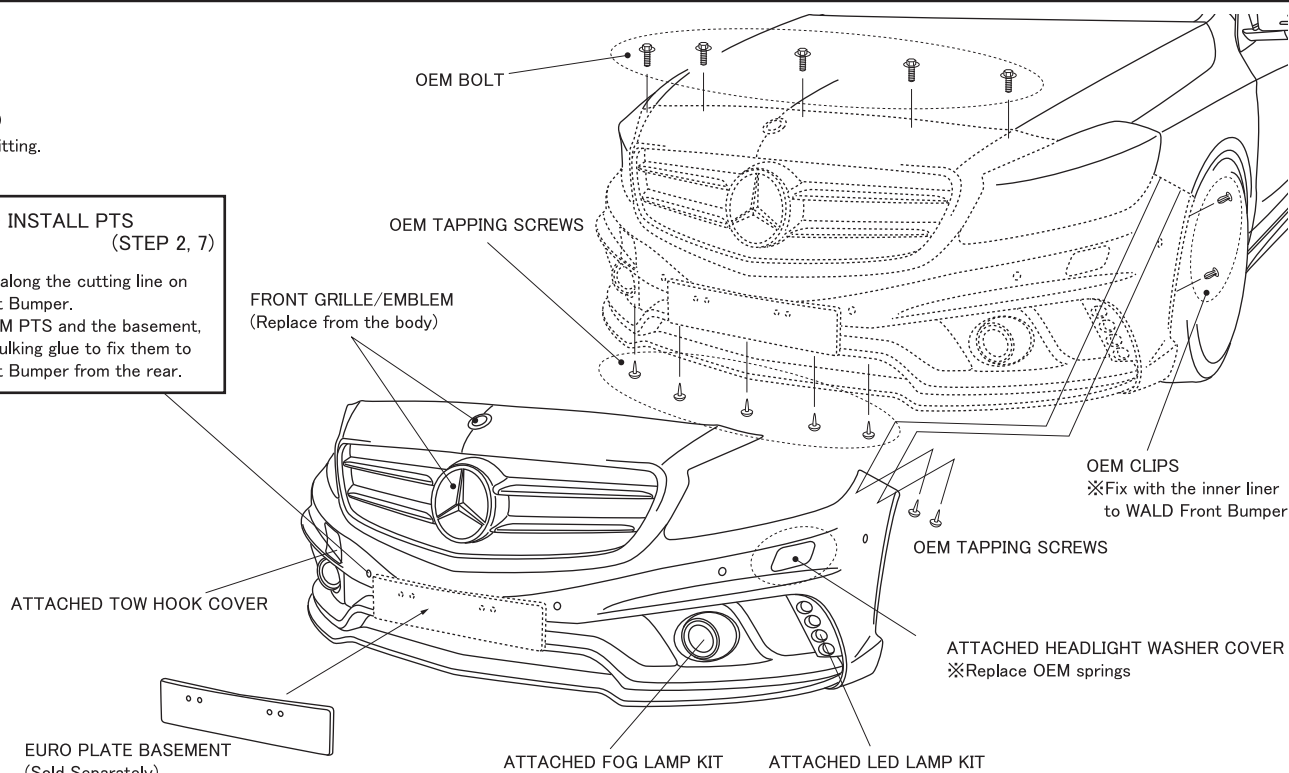
Use pins and caulking glue to install the attached meshes to WALD Front Bumper from the rear.

※ Paint the inside of the ducts and pins in black.



⚠ ATTENTION

- ※ MORE THAN 2 TECHNICIANS ARE NECESSARY IN THIS WORK.
- DURING ALL THE INSTALLATION PROCESS, PLEASE BE CAREFUL NOT TO DAMAGE THE BODY.
- ※ ADJUST ALL THE DETAILS OF OUR PRODUCTS TO FIT ON A CAR PERFECTLY.



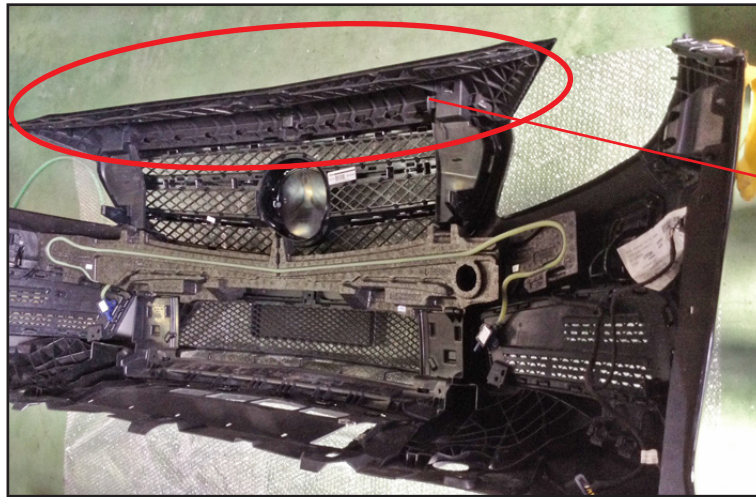
Mercedes Benz A-class W176 (2013y~)

WALD SPORTS LINE
BLACK BISON EDITION

INSTALLATION MANUAL
WALD
Sportliche Autoausrüstung WALD.International

THANK YOU FOR PURCHASING. THIS IS THE INSTALLATION MANUAL OF HOW TO REPLACE OEM INNER PARTS TO FIT WITH WALD FRONT BUMPER FOR W176 A-CLASS.

HOW TO REPLACE OEM INNER PARTS 1



Replace the red circled OEM front grille support to WALD Front Bumper.



OEM Front Grille Support.



Replace the red circled OEM under cover to WALD Front Bumper.



OEM Under Cover.
※Fix OEM under cover to WALD Front Bumper
as is on OEM front bumper with the rivets (sold separately).

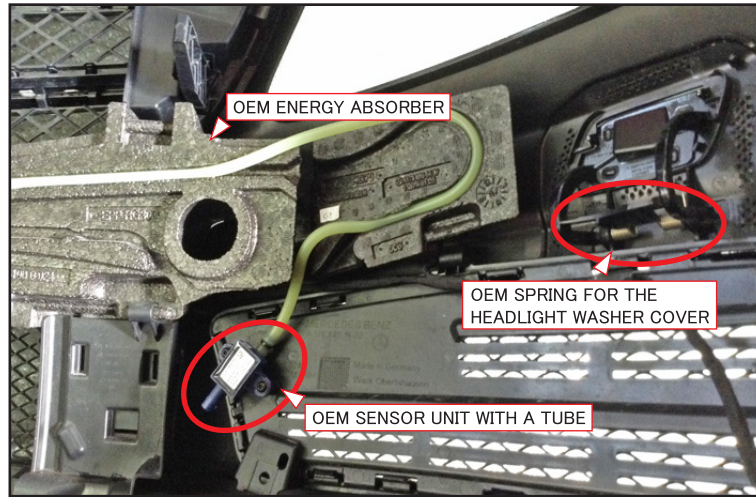
Mercedes Benz A-class W176 (2013y~)

WALD SPORTS LINE
BLACK BISON EDITION

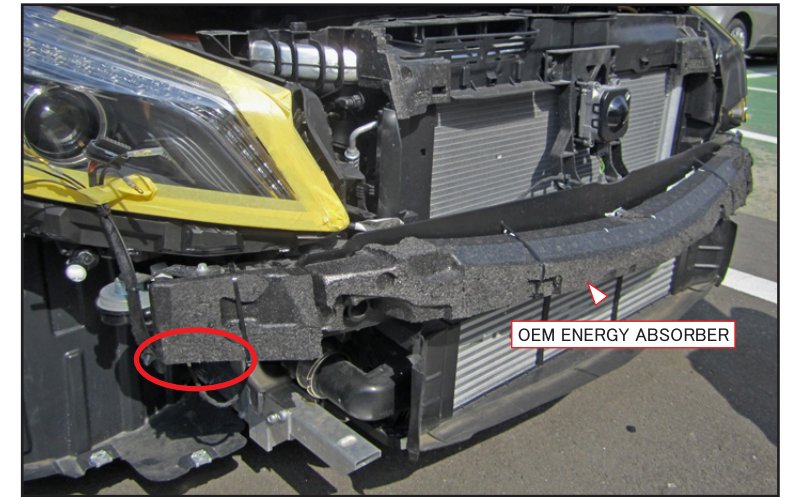
INSTALLATION MANUAL
WALD
Sportliche Autoausrüstung WALD.International

THANK YOU FOR PURCHASING. THIS IS THE INSTALLATION MANUAL OF HOW TO REPLACE OEM INNER PARTS TO FIT WITH WALD FRONT BUMPER FOR W176 A-CLASS.

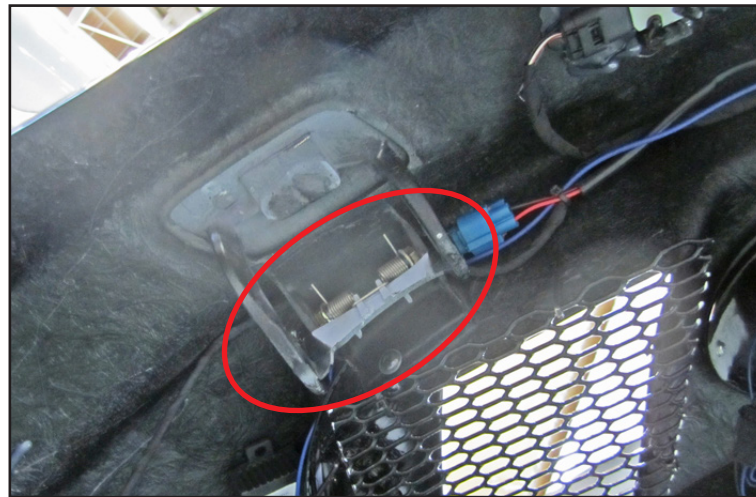
HOW TO REPLACE OEM INNER PARTS 2



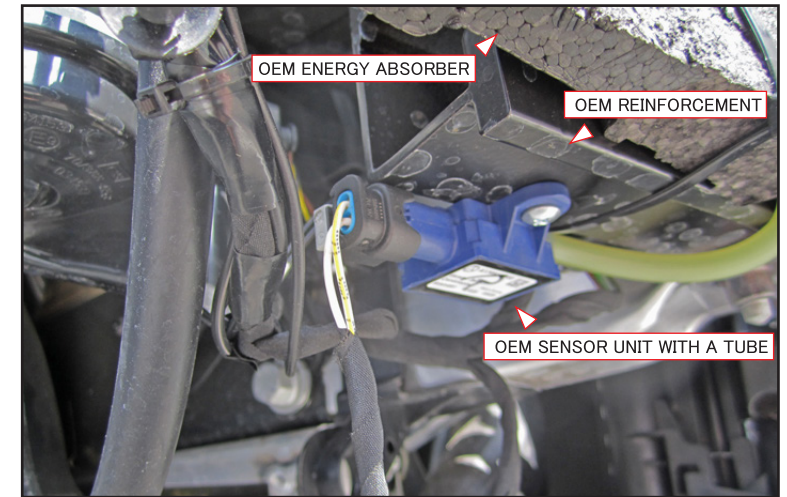
Take off OEM energy absorber, sensor units with a tube and springs for the headlight washer covers.



Cut and adjust the shape of OEM energy absorber to fit on WALD Front Bumper, and fix it according to the picture.



Replace the OEM springs for the headlight washer covers to WALD Front Bumper.



After fixing OEM sensor unit on the bottom of OEM reinforcement.

Mercedes Benz A-class W176 (2013y~)

WALD SPORTS LINE
BLACK BISON EDITION

INSTALLATION MANUAL
WALD
Sportliche Autoausrüstung WALD.International

THANK YOU FOR PURCHASING. THIS IS THE INSTALLATION MANUAL OF FOG LAMP KIT ON WALD FRONT BUMPER FOR MERCEDES-BENZ W176 A-CLASS.
PLEASE READ THIS MANUAL CAREFULLY BEFORE THE INSTALLATION.

ATTENTION



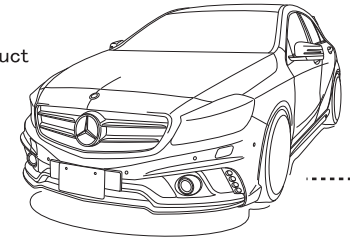
- ※ NO RETURNS CAN BE ACCEPTED BECAUSE OF IMPROPER INSTALLATION OR PAINTING.
- ※ CHECK THE FITMENT, AND ADJUST ALL THE DETAILS BEFORE PAINTING.
- We assume no responsibility for any damage resulting from improper installation, painting, modification and any cut wound in unsealing.
- Contact the car dealer when you have any question in removing OEM parts.
- During all the installation process, use parking brake and stop the engine completely.
- Use rasps or sandpapers to fit the products to the body if there is an individual difference.
- The product is made of FRP. Handle with care. Do not give the excessive force.
- Gradually fix the bolts and nuts by checking the fitment and balance of the installation.
- Check the fitment, and adjust all the details of the fitment steady and proper.
- Please check the fitment and all the details regularly, fix the bolts and nuts as necessary.
- The instruction of painting is just our recommendation, please paint it as you like.
- ※ PLEASE BE AWARE OF:
- You may lose the warranty and all the services from the car maker, because of replacing OEM parts.
- Reduced road clearance may cause inconvenience in using parking curbs and garage jack.
- FRP, ABS and PPE products are slightly weaker than OEM parts in crashes.
- The product may not match the body and OEM color perfectly.

Please purchase double sided tape, primer and caulking glue at auto accessory shop or hardware store.

Completely degrease and paint primer on all the installation positions to enhance the viscosity of double sided tape.
Use dryer to warm double sided tape to enhance the viscosity in low temperature.
Keep the car in a dry condition more than 24 hours after gluing.
Do not wash the car during this time.

	PARTS	QUANTITIES
FOG LAMP KIT	FOG LAMPS	1 SET
	BRACKETS	1 SET
	BOLTS (M6)	2

Use caulking glue to fill the gap between the product and the body.



FOG LAMP KIT

【BEFORE PAINTING】

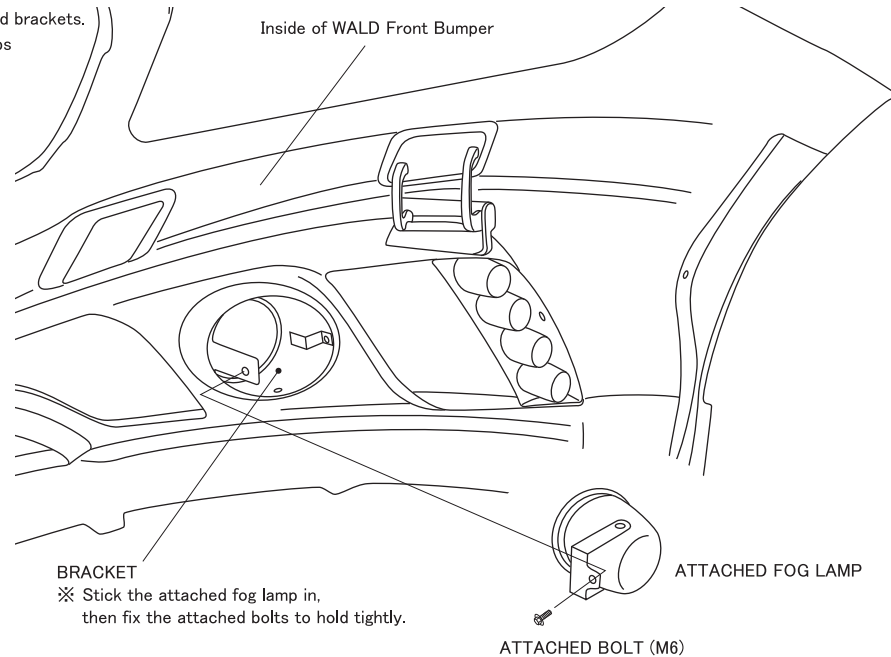
- 1) Temporarily fix the attached brackets on WALD Front Bumper.
- 2) Check the location and angle of the attached fog lamps on the attached brackets.
- ※ Adjust the details of the attached brackets to fit the attached fog lamps by rasps or sandpapers.
- 3) Prepare to connect the attached fog lamps.
- ※ Insulate any spare harness.
- 4) Paint the attached brackets according to the picture.
- ※ Take off the attached brackets from WALD Front Bumper before painting.

【AFTER PAINTING】

- 5) Fix the attached brackets to WALD Front Bumper.
- 6) Fix the attached fog lamps to the attached brackets.
- 7) Fix the attached bolts tightly after adjusting the angle of the attached fog lamps.

※ WALD SHOWCAR IS PAINTED LIKE THE PICTURE (STEP 4)

WALD Show Car is painted in Matte Black.



ATTENTION

- ※ REMOVE THE BATTERY BEFORE ALL THE WIRING WORKS.
- ※ MAKE SURE ATTACHED LED LAMPS ARE FINE TO WORK BEFORE THE INSTALLATION.



Mercedes Benz A-class W176 (2013y~)

WALD SPORTS LINE
BLACK BISON EDITION

INSTALLATION MANUAL
WALD
Sportliche Autoausrüstung WALD.International

THANK YOU FOR PURCHASING. THIS IS THE INSTALLATION MANUAL OF LED LAMPS ON WALD FRONT BUMPER FOR MERCEDES-BENZ W176 A-CLASS.
PLEASE READ THIS MANUAL CAREFULLY BEFORE THE INSTALLATION.

ATTENTION



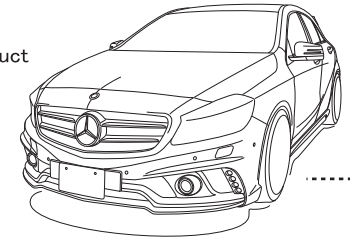
- ※ NO RETURNS CAN BE ACCEPTED BECAUSE OF IMPROPER INSTALLATION OR PAINTING.
- ※ CHECK THE FITMENT, AND ADJUST ALL THE DETAILS BEFORE PAINTING.
- We assume no responsibility for any damage resulting from improper installation, painting, modification and any cut wound in unsealing.
- Contact the car dealer when you have any question in removing OEM parts.
- During all the installation process, use parking brake and stop the engine completely.
- Use rasps or sandpapers to fit the products to the body if there is an individual difference.
- The product is made of FRP. Handle with care. Do not give the excessive force. Gradually fix the bolts and nuts by checking the fitment and balance of the installation.
- Check the fitment, and adjust all the details of the fitment steady and proper. Please check the fitment and all the details regularly, fix the bolts and nuts as necessary.
- The instruction of painting is just our recommendation, please paint it as you like.
- ※ PLEASE BE AWARE OF:
- You may lose the warranty and all the services from the car maker, because of replacing OEM parts.
- Reduced road clearance may cause inconvenience in using parking curbs and garage jack.
- FRP, ABS and PPE products are slightly weaker than OEM parts in crashes.
- The product may not match the body and OEM color perfectly.

Please purchase double sided tape, primer and caulking glue at auto accessory shop or hardware store.

Completely degrease and paint primer on all the installation positions to enhance the viscosity of double sided tape.
Use dryer to warm double sided tape to enhance the viscosity in low temperature.
Keep the car in a dry condition more than 24 hours after gluing.
Do not wash the car during this time.

	PARTS	QUANTITIES
LED LAMP KIT	LED LAMP	1 SET
	BRACKETS	1 SET
	TAPPING SCREWS	4

Use caulking glue to fill the gap between the product and the body.



LED LAMP KIT

【BEFORE PAINTING】

- 1) Take off the LED brackets from WALD Front Bumper.
- 2) Temporarily fix the attached LED lamps according to the holes on the LED brackets.
- ※ Adjust the details of the LED brackets to fit the attached LED lamps by rasps or sandpapers.
- 3) Prepare to connect the attached LED lamps.
- ※ Insulate any spare harness.
- 4) Paint the LED brackets according to the picture.

【AFTER PAINTING】

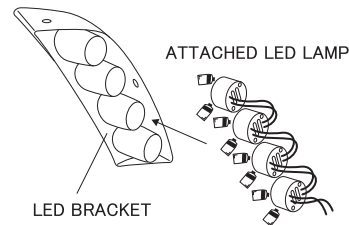
- 5) Completely degrease the installation positions, then put the attached LED lamps according to the holes on the LED brackets.
- 6) Use caulking glue to fix the attached LED lamps after checking the angle and location.
- 7) Leave them till completely fixed.
- 8) Install the LED brackets to WALD Front Bumper after connecting the harness.

※ WALD SHOWCAR IS PAINTED LIKE THE PICTURE (STEP 4)

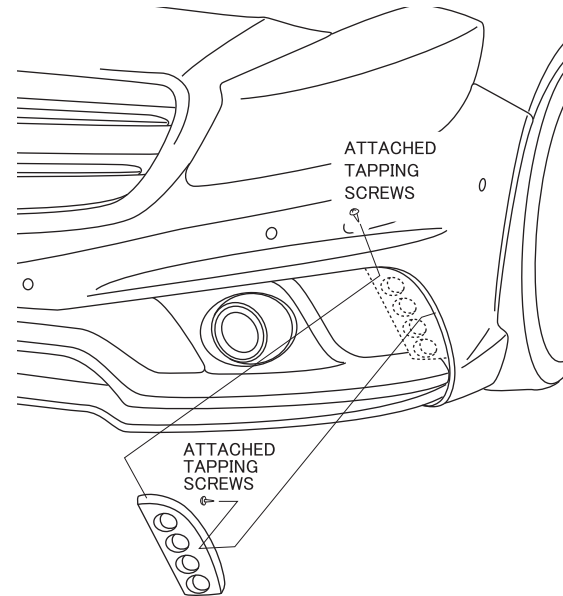
WALD Show Car is painted in Matte Black.



■ HOW TO INSTALL THE ATTACHED LED LAMPS (STEP 2, 5)



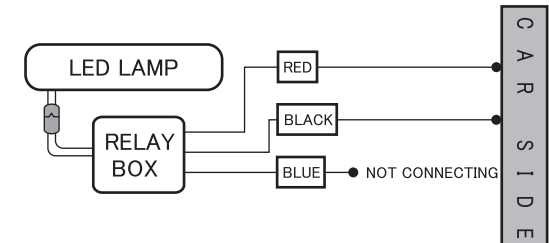
※ Use heat resistant caulking glue to fix the attached LED lamps on WALD Front Bumper according to the picture.



BRACKETS WITH LED LAMPS

※ Use heat resistant caulking glue to fix the attached LED lamps on WALD Front Bumper according to the picture.

= WIRING DIAGRAM =



ATTENTION

- ※ REMOVE THE BATTERY BEFORE ALL THE WIRING WORKS.
- ※ MAKE SURE ATTACHED LED LAMPS ARE FINE TO WORK BEFORE THE INSTALLATION.

Mercedes Benz A-class W176 (2013y~)

WALD SPORTS LINE
BLACK BISON EDITION

INSTALLATION MANUAL
WALD
Sportliche Autoausrüstung WALD.International

THANK YOU FOR PURCHASING. THIS IS THE INSTALLATION MANUAL OF WALD SIDE STEPS FOR MERCEDES-BENZ W176 A-CLASS.
PLEASE READ THIS MANUAL CAREFULLY BEFORE THE INSTALLATION.

ATTENTION



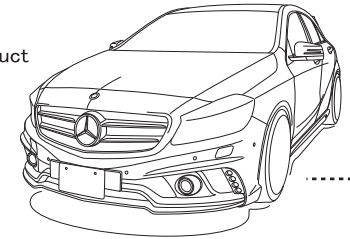
- ※ NO RETURNS CAN BE ACCEPTED BECAUSE OF IMPROPER INSTALLATION OR PAINTING.
- ※ CHECK THE FITMENT, AND ADJUST ALL THE DETAILS BEFORE PAINTING.
- We assume no responsibility for any damage resulting from improper installation, painting, modification and any cut wound in unsealing.
- Contact the car dealer when you have any question in removing OEM parts.
- During all the installation process, use parking brake and stop the engine completely.
- Use rasps or sandpapers to fit the products to the body if there is an individual difference.
- The product is made of FRP. Handle with care. Do not give the excessive force. Gradually fix the bolts and nuts by checking the fitment and balance of the installation.
- Check the fitment, and adjust all the details of the fitment steady and proper. Please check the fitment and all the details regularly, fix the bolts and nuts as necessary.
- The instruction of painting is just our recommendation, please paint it as you like.
- ※ PLEASE BE AWARE OF:
- You may lose the warranty and all the services from the car maker, because of replacing OEM parts.
- Reduced road clearance may cause inconvenience in using parking curbs and garage jack.
- FRP, ABS and PPE products are slightly weaker than OEM parts in crashes.
- The product may not match the body and OEM color perfectly.

Please purchase double sided tape, primer and caulking glue at auto accessory shop or hardware store.

Completely degrease and paint primer on all the installation positions to enhance the viscosity of double sided tape.
Use dryer to warm double sided tape to enhance the viscosity in low temperature.
Keep the car in a dry condition more than 24 hours after gluing.
Do not wash the car during this time.

	PARTS	QUANTITIES
SIDE STEPS	SIDE STEPS	1 SET

Use caulking glue to fill the gap between the product and the body.



SIDE STEP

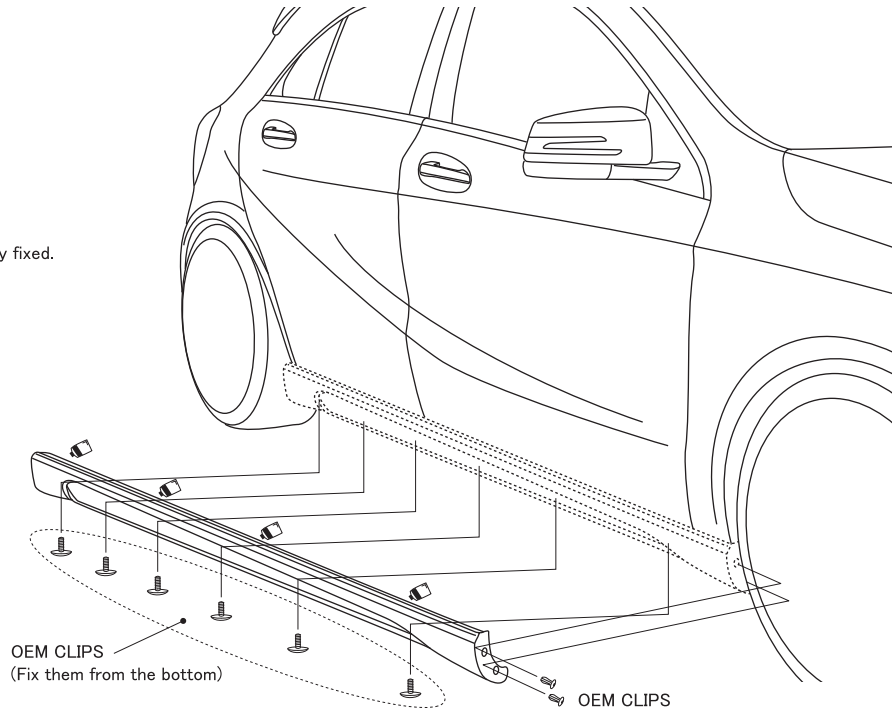
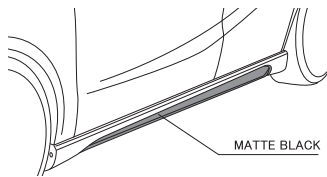
【BEFORE PAINTING】

- 1) Remove OEM sidesteps according to the Mercedes-Benz service manual.
- 2) Temporarily install WALD Side Steps to the body.
- ※ Adjust the details of WALD Side Steps to fit the body by rasps or sandpapers.
- 3) Paint WALD Side Steps according to the picture.

【AFTER PAINTING】

- 4) Completely degrease the installation positions, then use caulking glue to install WALD Side Steps to the body.
- 5) Fix OEM clips, then check all the details of the fitment.
- 6) Use masking tape to hold WALD Side Steps to the body, then leave them till completely fixed.

※WALD SHOWCAR IS PAINTED LIKE THE PICTURE (STEP 3)



ATTENTION

- ※ MORE THAN 2 TECHNICIANS ARE NECESSARY IN THIS WORK. DURING ALL THE INSTALLATION PROCESS, PLEASE BE CAREFUL NOT TO DAMAGE THE BODY.
- ※ DEGREASE ALL THE INSTALLATION POSITIONS, AND REMOVE THE BODY PROTECTION COATING BEFORE THE INSTALLATION.
- ※ ADJUST ALL THE DETAILS OF OUR PRODUCTS TO FIT ON A CAR PERFECTLY.

Mercedes Benz A-class W176 (2013y~)

WALD SPORTS LINE
BLACK BISON EDITION

INSTALLATION MANUAL
WALD
Sportliche Autoausrüstung WALD.International

THANK YOU FOR PURCHASING. THIS IS THE INSTALLATION MANUAL OF WALD REAR BUMPER FOR MERCEDES-BENZ W176 A-CLASS.
PLEASE READ THIS MANUAL CAREFULLY BEFORE THE INSTALLATION.

ATTENTION



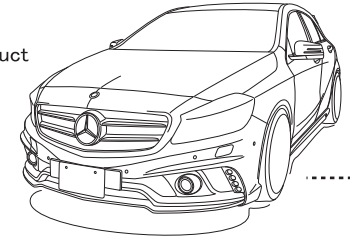
- ※ NO RETURNS CAN BE ACCEPTED BECAUSE OF IMPROPER INSTALLATION OR PAINTING.
- ※ CHECK THE FITMENT, AND ADJUST ALL THE DETAILS BEFORE PAINTING.
- We assume no responsibility for any damage resulting from improper installation, painting, modification and any cut wound in unsealing.
- Contact the car dealer when you have any question in removing OEM parts.
- During all the installation process, use parking brake and stop the engine completely.
- Use rasps or sandpapers to fit the products to the body if there is an individual difference.
- The product is made of FRP. Handle with care. Do not give the excessive force. Gradually fix the bolts and nuts by checking the fitment and balance of the installation.
- Check the fitment, and adjust all the details of the fitment steady and proper. Please check the fitment and all the details regularly, fix the bolts and nuts as necessary.
- The instruction of painting is just our recommendation, please paint it as you like.
- ※ PLEASE BE AWARE OF:
- You may lose the warranty and all the services from the car maker, because of replacing OEM parts.
- Reduced road clearance may cause inconvenience in using parking curbs and garage jack.
- FRP, ABS and PPE products are slightly weaker than OEM parts in crashes.
- The product may not match the body and OEM color perfectly.

Please purchase double sided tape, primer and caulking glue at auto accessory shop or hardware store.

Completely degrease and paint primer on all the installation positions to enhance the viscosity of double sided tape.
Use dryer to warm double sided tape to enhance the viscosity in low temperature.
Keep the car in a dry condition more than 24 hours after gluing.
Do not wash the car during this time.

	PARTS	QUANTITIES
REAR BUMPER	REAR BUMPER	1
	LED LAMP	1
	MESHES	1 SET
	TOW HOOK COVER	1

Use caulking glue to fill the gap between the product and the body.



REAR BUMPER

【BEFORE PAINTING】

- 1) Remove OEM rear bumper according to the Mercedes-Benz service manual.
- 2) Make holes along the cutting line on WALD Rear Bumper for the car equipping PTS.
- 3) Replace OEM inner parts to WALD Rear Bumper, then temporarily install WALD Rear Bumper to the body.
- ※ Adjust the details of WALD Rear Bumper to fit the body by rasps or sandpapers. (As per enclosures)
- 4) Paint WALD Rear Bumper according to the picture.

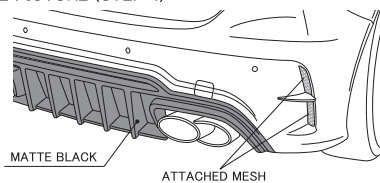
【AFTER PAINTING】

- 5) Use pins and caulking glue to install the attached meshes to WALD Rear Bumper from the rear.
- 6) Relocate all the necessary parts to WALD Rear Bumper, then temporarily install to the body.
- 7) Check all the details of the fitment, then fix the OEM nuts and clips tightly.

※ WALD SHOWCAR IS PAINTED LIKE THE PICTURE (STEP 4)

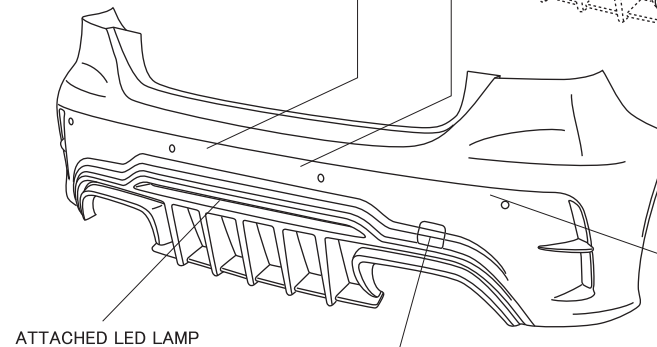
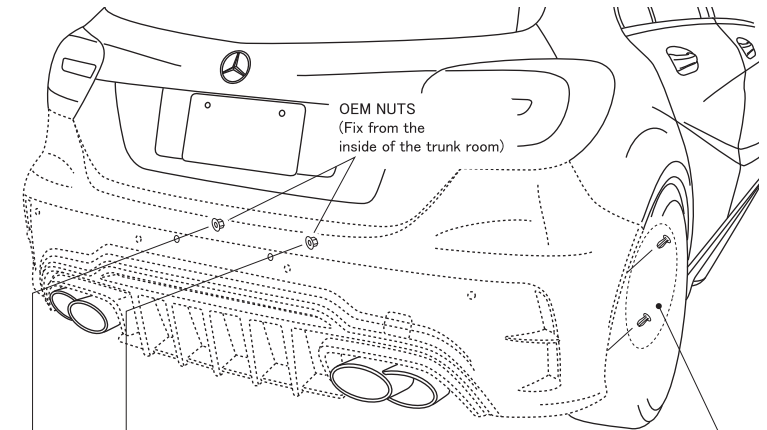
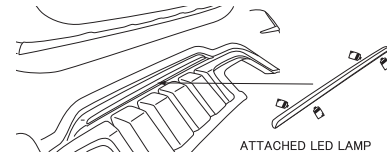
■ HOW TO INSTALL THE ATTACHED MESHES (STEP 5)

Use pins and caulking glue to install the attached meshes to WALD Rear Bumper from the rear.
※Paint the inside of the ducts and pins in black.



■ HOW TO INSTALL THE ATTACHED LED LAMP (STEP 6)

Use caulking glue to fix the attached LED lamp tightly.
(Inside of WALD Rear Bumper)



■ HOW TO INSTALL PTS (STEP 2, 6)

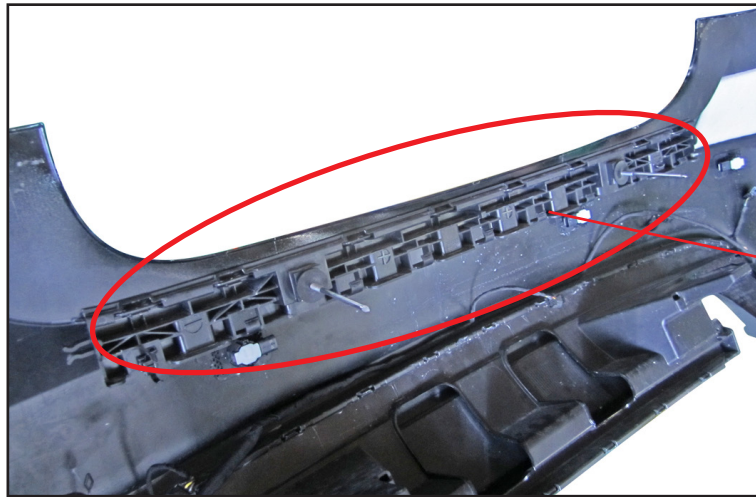
Remove OEM PTS and the basements, then use caulking glue to fix them to WALD Rear Bumper. Make holes along the cutting line on WALD Rear Bumper.

ATTENTION

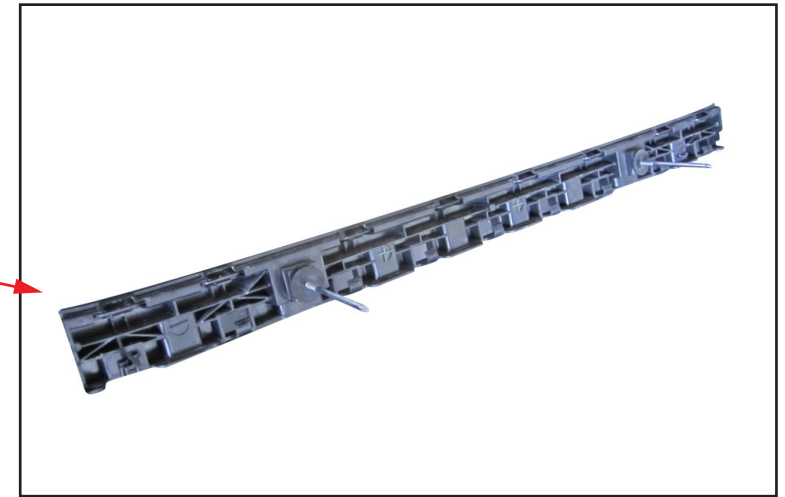
- ※ MORE THAN 2 TECHNICIANS ARE NECESSARY IN THIS WORK.
- DURING ALL THE INSTALLATION PROCESS, PLEASE BE CAREFUL NOT TO DAMAGE THE BODY.
- ※ ADJUST ALL THE DETAILS OF OUR PRODUCTS TO FIT ON A CAR PERFECTLY.

THANK YOU FOR PURCHASING. THIS IS THE INSTALLATION MANUAL OF HOW TO REPLACE OEM INNER PARTS OF W176 A-CLASS.

HOW TO REPLACE
OEM INNER PARTS 1



Replace the red-circled OEM inner part to WALD Rear Bumper.



Picture of OEM inner bracket for the rear bumper.
Use the caulking glue to fix it to WALD Rear Bumper.



Replace the red-circled OEM sensor units and basements to WALD Rear Bumper.



Picture of OEM basement for the sensor.
Use the caulking glue to fix them to the same location on WALD Rear Bumper.

Mercedes Benz A-class W176 (2013y~)

WALD SPORTS LINE
BLACK BISON EDITION

INSTALLATION MANUAL
WALD
Sportliche Autoausrüstung WALD.International

THANK YOU FOR PURCHASING. THIS IS THE INSTALLATION MANUAL OF WALD TRUNK SPOILER AND ROOF SPOILER FOR MERCEDES-BENZ W176 A-CLASS.
PLEASE READ THIS MANUAL CAREFULLY BEFORE THE INSTALLATION.

ATTENTION



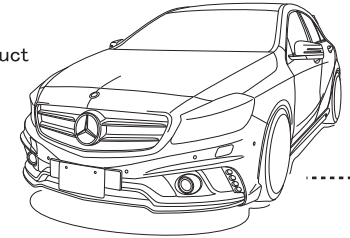
- ※ NO RETURNS CAN BE ACCEPTED BECAUSE OF IMPROPER INSTALLATION OR PAINTING.
- ※ CHECK THE FITMENT, AND ADJUST ALL THE DETAILS BEFORE PAINTING.
- We assume no responsibility for any damage resulting from improper installation, painting, modification and any cut wound in unsealing.
- Contact the car dealer when you have any question in removing OEM parts.
- During all the installation process, use parking brake and stop the engine completely.
- Use rasps or sandpapers to fit the products to the body if there is an individual difference.
- The product is made of FRP. Handle with care. Do not give the excessive force. Gradually fix the bolts and nuts by checking the fitment and balance of the installation.
- Check the fitment, and adjust all the details of the fitment steady and proper. Please check the fitment and all the details regularly, fix the bolts and nuts as necessary.
- The instruction of painting is just our recommendation, please paint it as you like.
- ※ PLEASE BE AWARE OF:
- You may lose the warranty and all the services from the car maker, because of replacing OEM parts.
- Reduced road clearance may cause inconvenience in using parking curbs and garage jack.
- FRP, ABS and PPE products are slightly weaker than OEM parts in crashes.
- The product may not match the body and OEM color perfectly.

Please purchase double sided tape, primer and caulking glue at auto accessory shop or hardware store.

Completely degrease and paint primer on all the installation positions to enhance the viscosity of double sided tape.
Use dryer to warm double sided tape to enhance the viscosity in low temperature.
Keep the car in a dry condition more than 24 hours after gluing.
Do not wash the car during this time.

	PARTS	QUANTITIES
ROOF SPOILER	ROOF SPOILER	1

Use caulking glue to fill the gap between the product and the body.



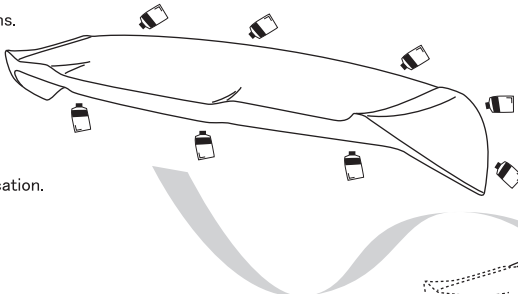
ROOF SPOILER

【BEFORE PAINTING】

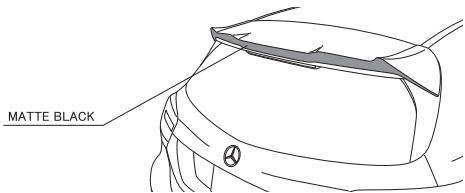
- 1) Temporarily install WALD Roof Spoiler to the body.
- 2) Check the fitment, then use masking tape to mark the installation positions.
- 3) Paint WALD Roof Spoiler according to the picture.

【AFTER PAINTING】

- 4) Completely degrease the installation position, then use caulking glue to install WALD Roof Spoiler to the body according to the marked position.
- ※ Fold the both ends of release paper of double sided tape to adjust the location.
- 5) Check all the details of the fitment.
- 6) Leave it till completely fixed.

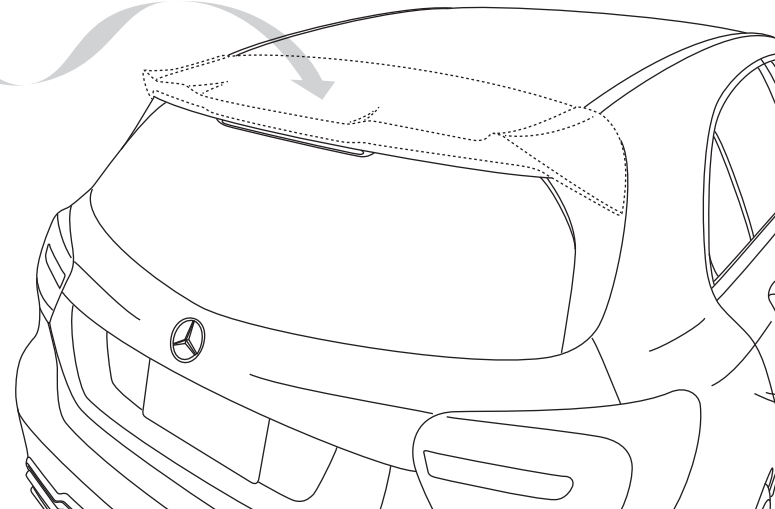


※WALD SHOWCAR IS PAINTED LIKE THE PICTURE (STEP 3)



ATTENTION

- ※ MORE THAN 2 TECHNICIANS ARE NECESSARY IN THIS WORK. DURING ALL THE INSTALLATION PROCESS, PLEASE BE CAREFUL NOT TO DAMAGE THE BODY.
- ※ DEGREASE ALL THE INSTALLATION POSITIONS, AND REMOVE THE BODY PROTECTION COATING BEFORE THE INSTALLATION.



WALD INTERNATIONAL