

ROLLS-ROYCE WRAITH

(2013y~)

WALD SPORTS LINE
BLACK BISON EDITION

INSTALLATION MANUAL
WALD
Sportliche Autoausrüstung WALD.International

THANK YOU FOR PURCHASING. THIS IS THE INSTALLATION MANUAL OF WALD FRONT BUMPER FOR ROLLS-ROYCE WRAITH.
PLEASE READ THIS MANUAL CAREFULLY BEFORE THE INSTALLATION.

ATTENTION



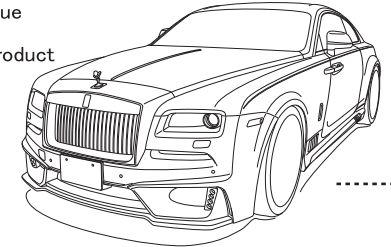
- ※ NO RETURNS CAN BE ACCEPTED BECAUSE OF IMPROPER INSTALLATION OR PAINTING.
- ※ CHECK THE FITMENT, AND ADJUST ALL THE DETAILS BEFORE PAINTING.
- We assume no responsibility for any damage resulting from improper installation, painting, modification and any cut wound in unsealing.
- Contact the car dealer when you have any question in removing OEM parts.
- During all the installation process, use parking brake and stop the engine completely.
- Use rasps or sandpapers to fit the products to the body if there is an individual difference.
- The product is made of FRP. Handle with care. Do not give the excessive force. Gradually fix the bolts and nuts by checking the fitment and balance of the installation.
- Check the fitment, and adjust all the details of the fitment steady and proper. Please check the fitment and all the details regularly, fix the bolts and nuts as necessary.
- The instruction of painting is just our recommendation, please paint it as you like.
- ※ PLEASE BE AWARE OF:
 - You may lose the warranty and all the services from the car maker, because of replacing OEM parts.
 - Reduced road clearance may cause inconvenience in using parking curbs and garage jack.
 - FRP, ABS and PPE products are slightly weaker than OEM parts in crashes.
 - The product may not match the body and OEM color perfectly.

Please purchase double sided tape, primer and caulking glue at auto accessory shop or hardware store.

Completely degrease and paint primer on all the installation positions to enhance the viscosity of double sided tape.
Use dryer to warm double sided tape to enhance the viscosity in low temperature.
Keep the car in a dry condition more than 24 hours after gluing.
Do not wash the car during this time.

	PARTS	QUANTITIES
FRONT BUMPER	FRONT BUMPER	1
	MESHES	2 SET
	LED LAMP	1 SET

Use caulking glue to fill the gap between the product and the body.



FRONT BUMPER

【BEFORE PAINTING】

- 1) Remove OEM front bumper according to the Rolls-Royce service manual.
 - 2) Process all the necessary OEM parts according to the picture to install on WALD Front Bumper.
- ※ Please do not use caulking glue at this point.
- 3) Temporarily install WALD Front Bumper to the body.
 - ※ Adjust the details of WALD Front Bumper to fit the body by rasps or sandpapers.
 - 4) Cut OEM lower bumper grille to fit on WALD Front Bumper (Refer to the other installation manual).
 - 5) Paint WALD Front Bumper according to the picture.

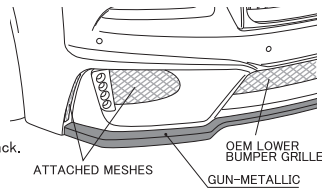
【AFTER PAINTING】

- 6) Install PTS, all the necessary OEM parts and LED lamp kit to WALD Front Bumper. (Refer to the other installation manual).
- ※ Make sure the attached LED lamp kit is fine to work before the installation.
- 7) Temporarily install WALD Front Bumper to the body.
 - 8) Check all the details of the fitment, then fix all the bolts and U-Shaped nuts.
 - 9) Relocate OEM headlight washer covers to WALD Front Bumper.

※WALD SHOWCAR IS PAINTED LIKE THE PICTURE (STEP 5)

■HOW TO INSTALL THE ATTACHED MESHES (STEP 6)

Use pins and caulking glue to install the attached meshes to WALD Front Bumper from the rear.
※Paint the inside of the ducts and pins in black.



ATTENTION

- ※ MORE THAN 2 TECHNICIANS ARE NECESSARY IN THIS WORK. DURING ALL THE INSTALLATION PROCESS, PLEASE BE CAREFUL NOT TO DAMAGE THE BODY.
- ※ MAKE SURE THE ATTACHED FOG LAMPS AND LED LAMP KIT ARE FINE TO WORK BEFORE THE INSTALLATION
- ※ ADJUST ALL THE DETAILS OF OUR PRODUCTS TO FIT ON A CAR PERFECTLY.

Recommend to use the caulking glue to fix OEM Grille Cover for the fall prevention.

■HOW TO INSTALL OEM BRACKETS (STEP 3, 8)

Use OEM brackets to fix WALD Front Bumper. (Exactly same with OEM installation process)

WALD FRONT BUMPER

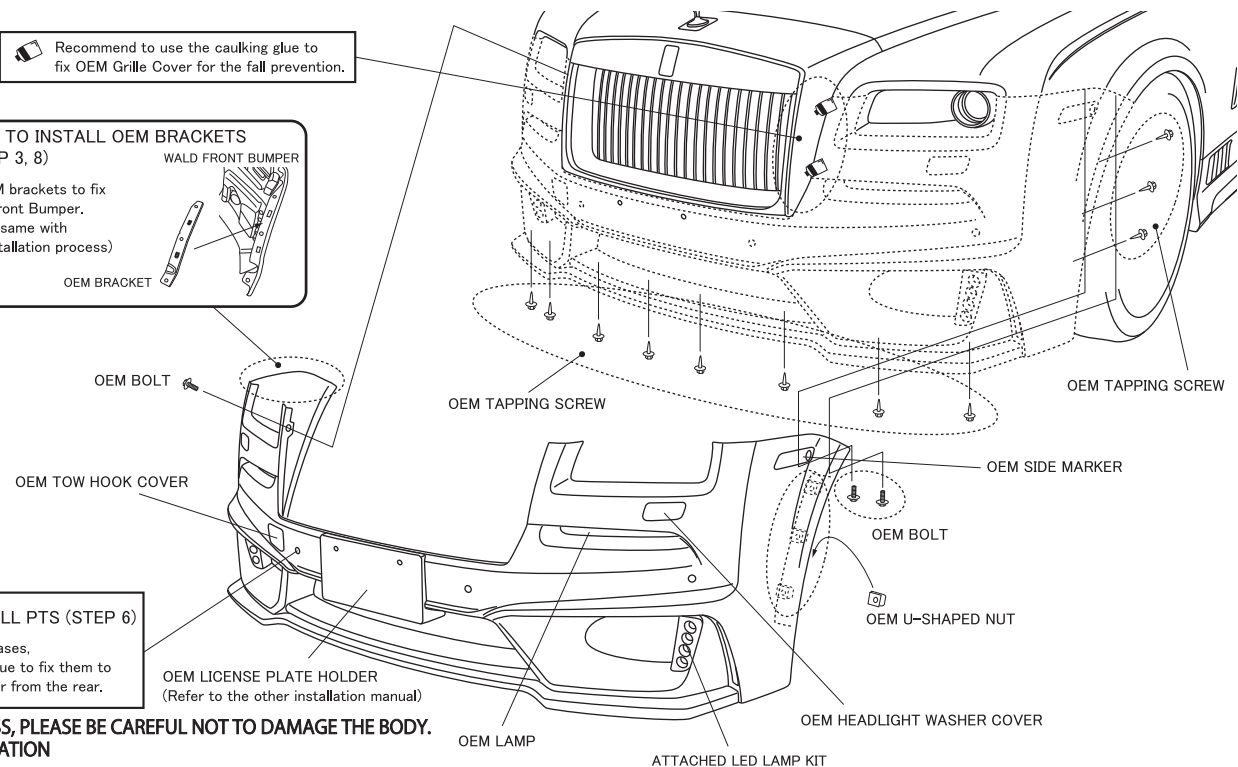


OEM BOLT
OEM TOW HOOK COVER

■HOW TO INSTALL PTS (STEP 6)

Remove PTS and bases, then use caulking glue to fix them to WALD Front Bumper from the rear.

OEM LICENSE PLATE HOLDER
(Refer to the other installation manual)



ROLLS-ROYCE WRAITH

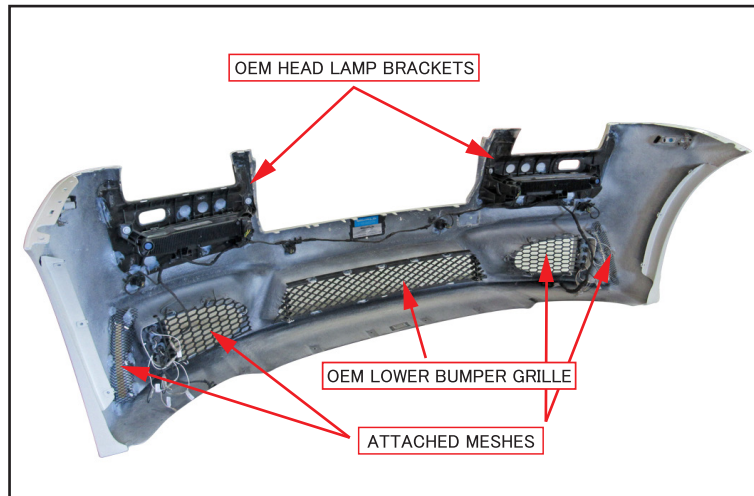
(2013y~)

WALD SPORTS LINE
BLACK BISON EDITION

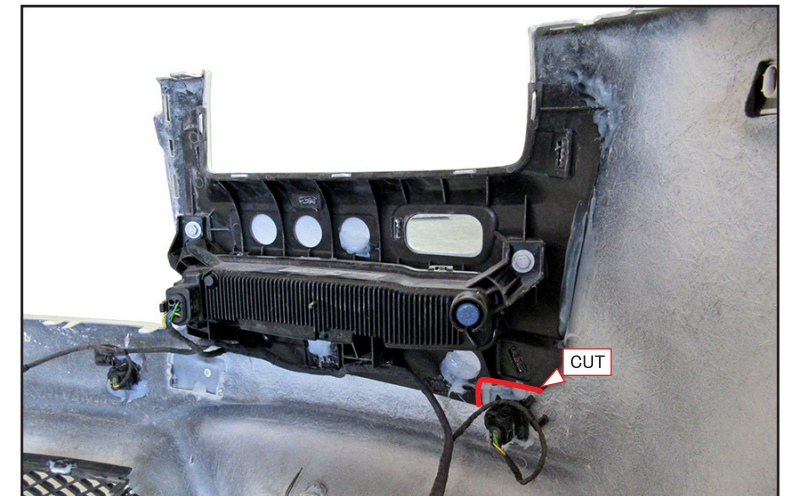
INSTALLATION MANUAL
WALD
Sportliche Autoausrüstung WALD.International

THANK YOU FOR PURCHASING. THIS IS THE INSTALLATION MANUAL OF WALD FRONT BUMPER FOR ROLLS-ROYCE WRAITH.
PLEASE READ THIS MANUAL CAREFULLY BEFORE THE INSTALLATION.

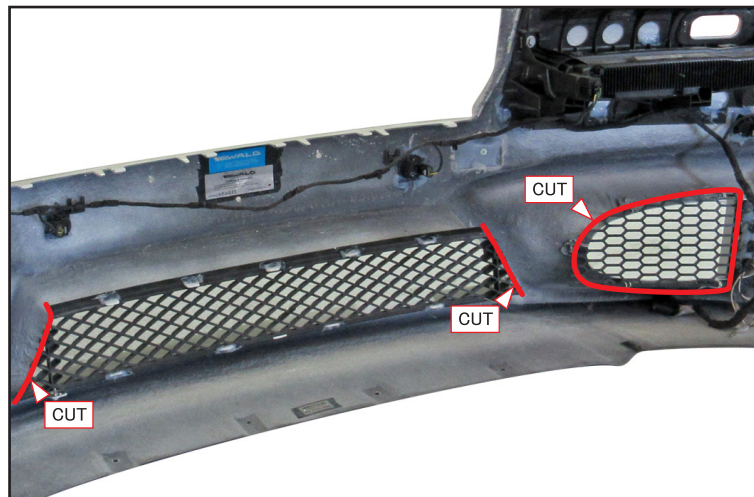
HOW TO REPLACE OEM PARTS



The above picture is Inside of WALD Front Bumper.
Need to Cut OEM Parts to replace and fit on WALD Front Bumper.



Use caulking glu to fix OEM Head Lamp Brackets on WALD Front Bumper after cutting the corners.
※Cut the corners of OEM Head Lamp Brackets to make the space for PTS.



Cut OEM Front Bumper Duct to fit the size of WALD Front Bumper center duct.
Cut the attached meshes to fit the both right and left ducts on WALD Front Bumper.
Use the attached pins on WALD Front Bumper, then fix them with the caulking glue.



Cut OEM License Plate to fit on WALD Front Bumper

ROLLS-ROYCE WRAITH

(2013y~)

WALD SPORTS LINE
BLACK BISON EDITION

INSTALLATION MANUAL
WALD
Sportliche Autoausrüstung WALD.International

THANK YOU FOR PURCHASING. THIS IS THE INSTALLATION MANUAL OF LED LAMP KIT FOR WALD FRONT BUMPER ROLLS-ROYCE WRAITH.
PLEASE READ THIS MANUAL CAREFULLY BEFORE THE INSTALLATION.

ATTENTION



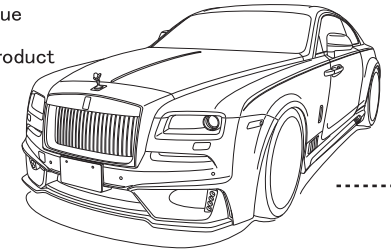
- ※ NO RETURNS CAN BE ACCEPTED BECAUSE OF IMPROPER INSTALLATION OR PAINTING.
- ※ CHECK THE FITMENT, AND ADJUST ALL THE DETAILS BEFORE PAINTING.
- We assume no responsibility for any damage resulting from improper installation, painting, modification and any cut wound in unsealing.
- Contact the car dealer when you have any question in removing OEM parts.
- During all the installation process, use parking brake and stop the engine completely.
- Use rasps or sandpapers to fit the products to the body if there is an individual difference.
- The product is made of FRP. Handle with care. Do not give the excessive force. Gradually fix the bolts and nuts by checking the fitment and balance of the installation.
- Check the fitment, and adjust all the details of the fitment steady and proper. Please check the fitment and all the details regularly, fix the bolts and nuts as necessary.
- The instruction of painting is just our recommendation, please paint it as you like.
- ※ PLEASE BE AWARE OF:
- You may lose the warranty and all the services from the car maker, because of replacing OEM parts.
- Reduced road clearance may cause inconvenience in using parking curbs and garage jack.
- FRP, ABS and PPE products are slightly weaker than OEM parts in crashes.
- The product may not match the body and OEM color perfectly.

Please purchase double sided tape, primer and caulking glue at auto accessory shop or hardware store.

Completely degrease and paint primer on all the installation positions to enhance the viscosity of double sided tape.
Use dryer to warm double sided tape to enhance the viscosity in low temperature.
Keep the car in a dry condition more than 24 hours after gluing.
Do not wash the car during this time.

	PARTS	QUANTITIES
LED LAMP KIT	LED LAMPS	1 SET
	LED LAMP BRACKETS	1 SET
	REMOTE CONTROL RELAY HARNESS	1 SET
	BOLTS	6

Use caulking glue to fill the gap between the product and the body.



LED LAMP KIT

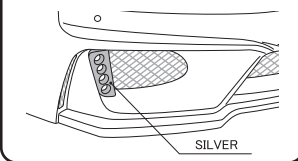
【BEFORE PAINTING】

- 1) Temporarily install the LED Lamp Brackets to the WALD Front Bumper from the rear.
- ※ Adjust the details of WALD Front Bumper by rasps or sandpapers.
- 2) Temporarily install the attached fog lamps to the WALD LED Lamp Brackets from the rear.
- ※ Adjust the details of WALD LED Lamp Brackets by rasps or sandpapers.
- 3) Prepare to connect the LED Lamps with the attached remote control relay harness.
- ※ Insulate any spare harness.
- 4) Paint WALD LED Lamp Brackets according to the picture.

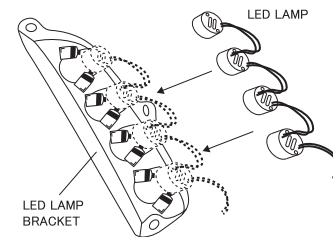
【AFTER PAINTING】

- 5) Check the angle and location of the LED lamps after Completely degreasing the installation positions.
- 6) Use caulking glue to fix the LED lamps to WALD LED Lamp Brackets.
- 7) Holding the LED lamps firmly with masking tape till completely fixed.
- 8) After checking all the details, install WALD LED Lamp Brackets to WALD Front Bumper.

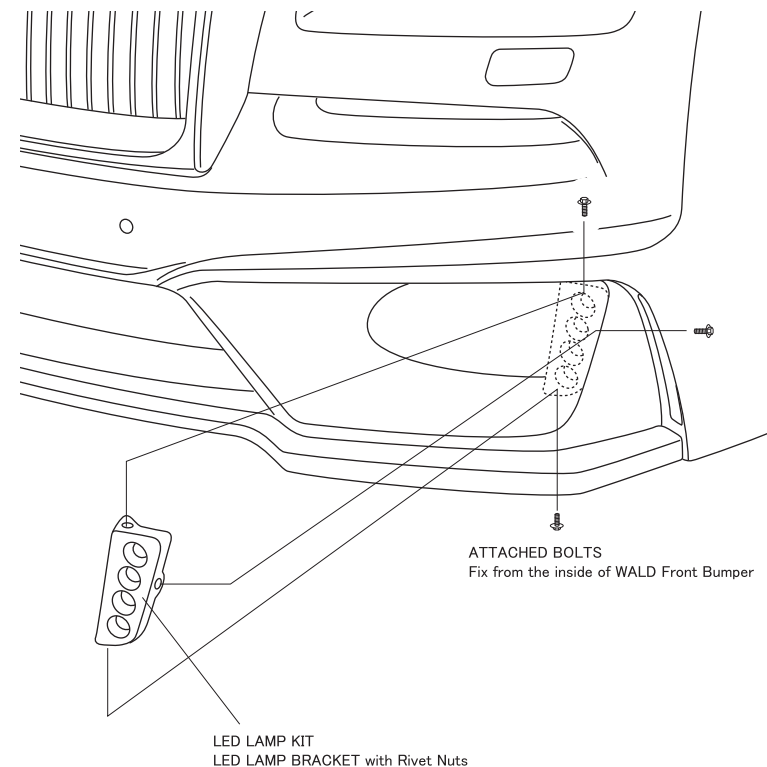
※ WALD SHOWCAR IS (STEP 4)
PAINTED LIKE THE PICTURE



■ HOW TO INSTALL THE LED LAMPS (STEP 2, 5, 6)



※ Use heat resistant caulking glue to fix the LED lamps to WALD Front Bumper according to the picture.



ATTENTION

- ※ MAKE SURE THE ATTACHED FOG LAMPS AND LED LAMP KIT ARE FINE TO WORK BEFORE THE INSTALLATION
- ※ ADJUST ALL THE DETAILS OF OUR PRODUCTS TO FIT ON A CAR PERFECTLY.

ROLLS-ROYCE WRAITH

(2013y~)

WALD SPORTS LINE
BLACK BISON EDITION

INSTALLATION MANUAL
WALD
Sportliche Autoausrüstung WALD.International

THANK YOU FOR PURCHASING. THIS IS THE INSTALLATION MANUAL OF WALD SIDE STEP FOR ROLLS-ROYCE WRAITH.
PLEASE READ THIS MANUAL CAREFULLY BEFORE THE INSTALLATION.

ATTENTION



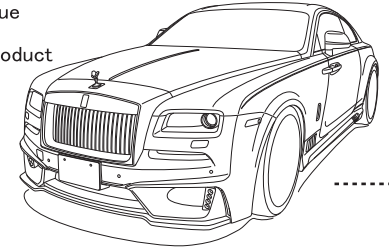
- ※ NO RETURNS CAN BE ACCEPTED BECAUSE OF IMPROPER INSTALLATION OR PAINTING.
- ※ CHECK THE FITMENT, AND ADJUST ALL THE DETAILS BEFORE PAINTING.
- We assume no responsibility for any damage resulting from improper installation, painting, modification and any cut wound in unsealing.
- Contact the car dealer when you have any question in removing OEM parts.
- During all the installation process, use parking brake and stop the engine completely.
- Use rasps or sandpapers to fit the products to the body if there is an individual difference.
- The product is made of FRP. Handle with care. Do not give the excessive force. Gradually fix the bolts and nuts by checking the fitment and balance of the installation.
- Check the fitment, and adjust all the details of the fitment steady and proper. Please check the fitment and all the details regularly, fix the bolts and nuts as necessary.
- The instruction of painting is just our recommendation, please paint it as you like.
- ※ PLEASE BE AWARE OF:
 - You may lose the warranty and all the services from the car maker, because of replacing OEM parts.
 - Reduced road clearance may cause inconvenience in using parking curbs and garage jack.
 - FRP, ABS and PPE products are slightly weaker than OEM parts in crashes.
 - The product may not match the body and OEM color perfectly.

Please purchase double sided tape, primer and caulking glue at auto accessory shop or hardware store.

Completely degrease and paint primer on all the installation positions to enhance the viscosity of double sided tape.
Use dryer to warm double sided tape to enhance the viscosity in low temperature.
Keep the car in a dry condition more than 24 hours after gluing.
Do not wash the car during this time.

	PARTS	QUANTITIES
SIDE STEP	SIDE STEPS	1 SET

Use caulking glue to fill the gap between the product and the body.



SIDE STEP

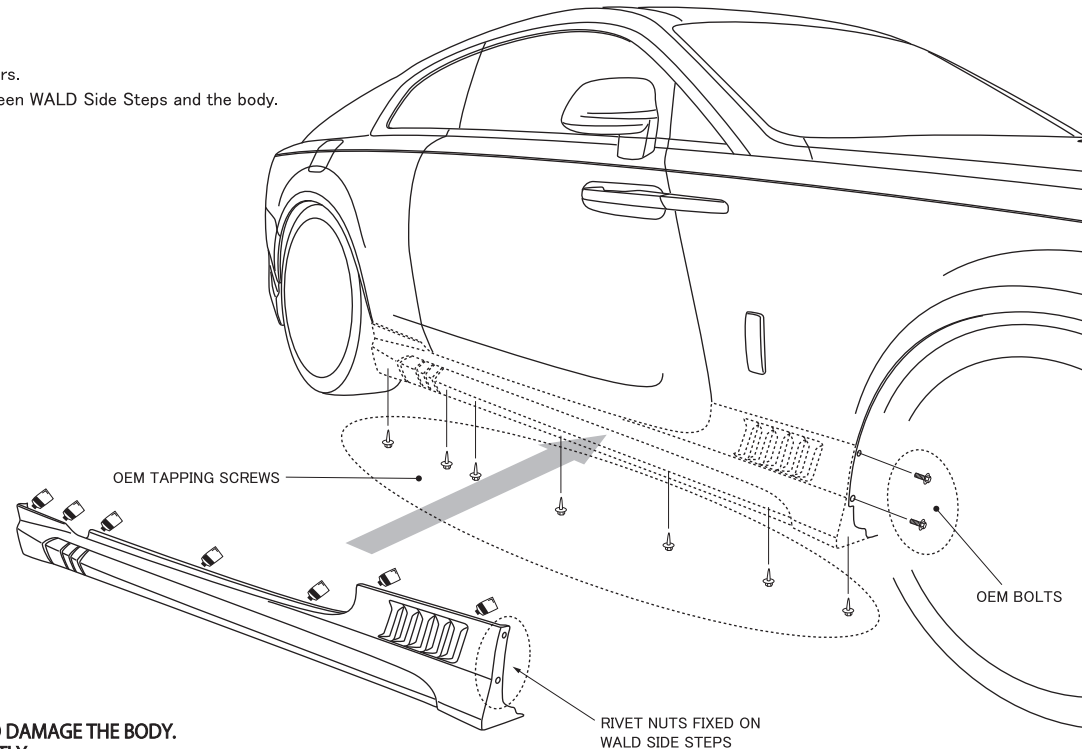
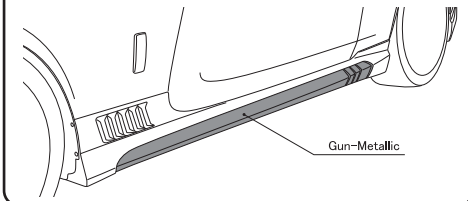
【BEFORE PAINTING】

- 1) Remove OEM side steps according to the Rolls-Royce service manual.
- 2) Temporarily install WALD Side Steps to the body.
- ※ Adjust the details of WALD Side Steps to fit the body by rasps or sandpapers.
- 3) Mark the installation positions on the body after checking the balance between WALD Side Steps and the body.
- 4) Paint WALD Side Steps according to the picture.

【AFTER PAINTING】

- 5) Completely degrease the installation positions.
- 6) Use caulking glue to install WALD Side Steps to the body.
- 7) Use the OEM bolts and tapping screws to fix WALD Side Steps.
- 8) Check all the details of the fitment, leave them till completely fixed.

※ WALD SHOWCAR IS PAINTED LIKE THE PICTURE (STEP 4)



ATTENTION

- ※ MORE THAN 2 TECHNICIANS ARE NECESSARY IN THIS WORK.
- ※ DURING ALL THE INSTALLATION PROCESS, PLEASE BE CAREFUL NOT TO DAMAGE THE BODY.
- ※ ADJUST ALL THE DETAILS OF OUR PRODUCTS TO FIT ON A CAR PERFECTLY.

ROLLS-ROYCE WRAITH

(2013y~)

WALD SPORTS LINE
BLACK BISON EDITION

INSTALLATION MANUAL
WALD
Sportliche Autoausrüstung WALD.International

THANK YOU FOR PURCHASING. THIS IS THE INSTALLATION MANUAL OF WALD REAR SKIRT FOR ROLLS-ROYCE WRAITH.
PLEASE READ THIS MANUAL CAREFULLY BEFORE THE INSTALLATION.

ATTENTION



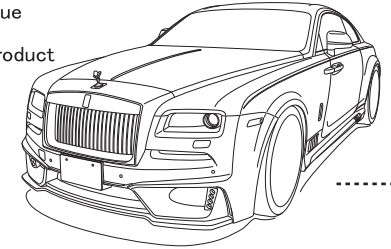
- ※ NO RETURNS CAN BE ACCEPTED BECAUSE OF IMPROPER INSTALLATION OR PAINTING.
- ※ CHECK THE FITMENT, AND ADJUST ALL THE DETAILS BEFORE PAINTING.
- We assume no responsibility for any damage resulting from improper installation, painting, modification and any cut wound in unsealing.
- Contact the car dealer when you have any question in removing OEM parts.
- During all the installation process, use parking brake and stop the engine completely.
- Use rasps or sandpapers to fit the products to the body if there is an individual difference.
- The product is made of FRP. Handle with care. Do not give the excessive force. Gradually fix the bolts and nuts by checking the fitment and balance of the installation.
- Check the fitment, and adjust all the details of the fitment steady and proper. Please check the fitment and all the details regularly, fix the bolts and nuts as necessary.
- The instruction of painting is just our recommendation, please paint it as you like.
- ※ PLEASE BE AWARE OF:
- You may lose the warranty and all the services from the car maker, because of replacing OEM parts.
- Reduced road clearance may cause inconvenience in using parking curbs and garage jack.
- FRP, ABS and PPE products are slightly weaker than OEM parts in crashes.
- The product may not match the body and OEM color perfectly.

Please purchase double sided tape, primer and caulking glue at auto accessory shop or hardware store.

Completely degrease and paint primer on all the installation positions to enhance the viscosity of double sided tape.
Use dryer to warm double sided tape to enhance the viscosity in low temperature.
Keep the car in a dry condition more than 24 hours after gluing.
Do not wash the car during this time.

	PARTS	QUANTITIES
REAR SKIRT	REAR SKIRT	1
	DIFFUSER FINS	4
	MESHES	2
	LED LAMP WITH NUTS	1
	TOW HOOK PART	1
	BOLTS (M4 x 20) & WASHER (FOR FINS)	8 SETS

Use caulking glue to fill the gap between the product and the body.



REAR SKIRT

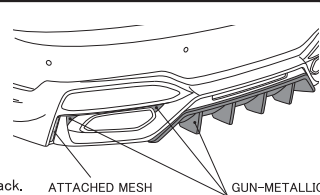
【BEFORE PAINTING】

- 1) Cut OEM rear bumper to make the space for WALD Muffler Cutter and LED Stop Lamp.
 - 2) Temporarily fix the attached LED Lamp and Diffuser Fins on WALD Rear Skirt, then install to the body.
- ※ Adjust the details of WALD Rear Skirt to fit the body by rasps or sandpapers.
- 3) Mark the installation position on the body after checking the balance between WALD Rear Skirt and the body.
 - 4) Take off WALD Rear Skirt, and prepare to connect the attached LED Lamp.
 - 5) Paint WALD Rear Skirt according to the picture.

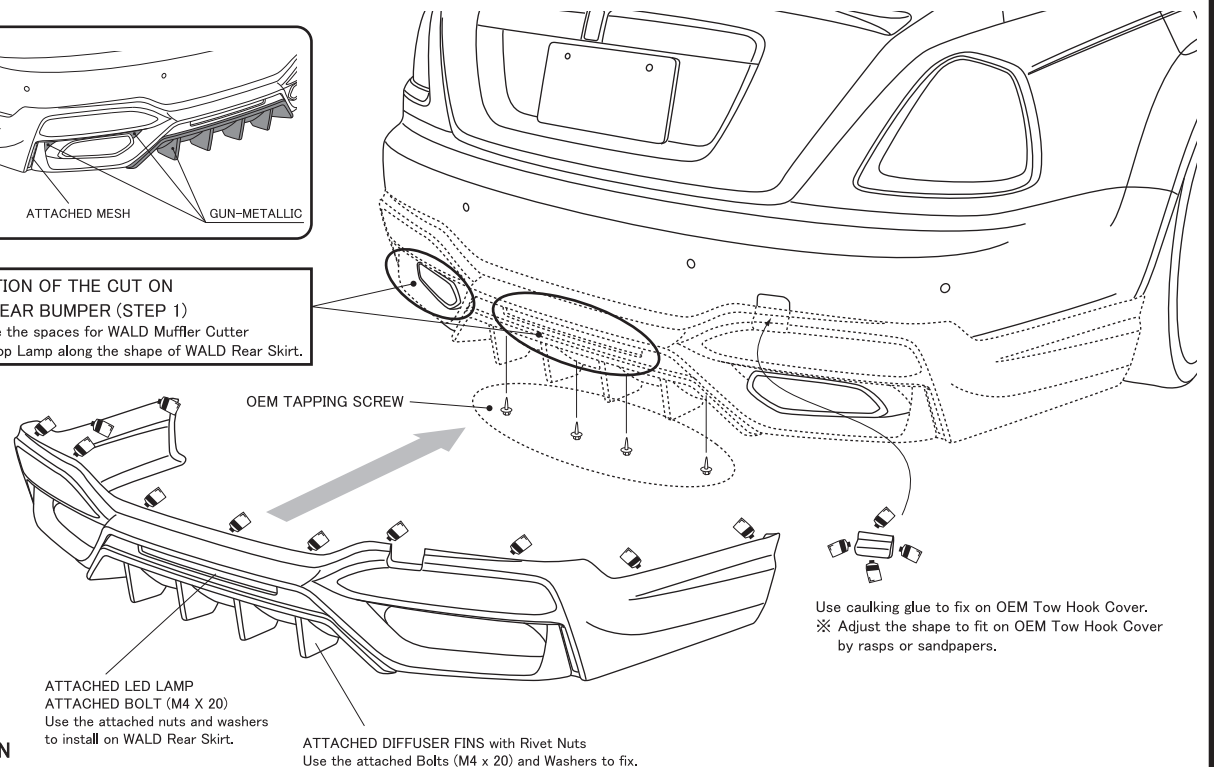
- ※ WALD SHOWCAR IS PAINTED LIKE THE PICTURE (STEP 5)
- HOW TO INSTALL THE ATTACHED MESHES (STEP 6)

Use pins and caulking glue to install the attached meshes to WALD Rear Skirt from the rear.

- ※ Paint the inside of the ducts and pins in black.



- ※ LOCATION OF THE CUT ON OEM REAR BUMPER (STEP 1)
- Cut to make the spaces for WALD Muffler Cutter and LED Stop Lamp along the shape of WALD Rear Skirt.



【AFTER PAINTING】

- 6) Use caulking glue to fix the attached meshes with to WALD Rear Skirt.
 - 7) Install the attached LED Lamp and Diffuser Fins on WALD Rear Skirt.
- ※ Make sure the LED Lamp is fine to work before the installation.
- 8) Completely degrease the installation position of WALD Rear Skirt and OEM rear bumper.
 - 9) Connect the LED Lamp to the body.
 - 10) Use caulking glue to fix WALD Rear Skirt to the body, then tighten OEM tapping screws.
 - 11) Check all the details of the fitment, leave them till completely fixed.
 - 12) Use the caulking glue to fix the attached Tow Hook Part on OEM Tow Hook Cover.

ATTENTION

- ※ MORE THAN 2 TECHNICIANS ARE NECESSARY IN THIS WORK. DURING ALL THE INSTALLATION PROCESS, PLEASE BE CAREFUL NOT TO DAMAGE THE BODY.
- ※ MAKE SURE THE ATTACHED FOG LAMPS AND LED LAMP KIT ARE FINE TO WORK BEFORE THE INSTALLATION
- ※ ADJUST ALL THE DETAILS OF OUR PRODUCTS TO FIT ON A CAR PERFECTLY.

Use caulking glue to fix on OEM Tow Hook Cover.
※ Adjust the shape to fit on OEM Tow Hook Cover by rasps or sandpapers.

ATTACHED LED LAMP
ATTACHED BOLT (M4 X 20)
Use the attached nuts and washers to install on WALD Rear Skirt.

ATTACHED DIFFUSER FINS with Rivet Nuts
Use the attached Bolts (M4 x 20) and Washers to fix.

ROLLS-ROYCE WRAITH

(2013y~)

WALD SPORTS LINE
BLACK BISON EDITION

INSTALLATION MANUAL
WALD
Sportliche Autoausrüstung WALD.International

THANK YOU FOR PURCHASING. THIS IS THE INSTALLATION MANUAL OF WALD TRUNK SPOILER FOR ROLLS-ROYCE WRAITH.
PLEASE READ THIS MANUAL CAREFULLY BEFORE THE INSTALLATION.

ATTENTION



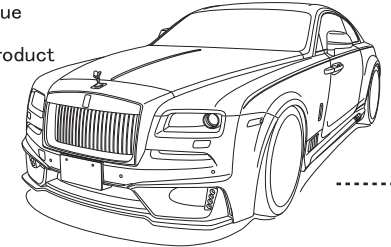
- ※ NO RETURNS CAN BE ACCEPTED BECAUSE OF IMPROPER INSTALLATION OR PAINTING.
- ※ CHECK THE FITMENT, AND ADJUST ALL THE DETAILS BEFORE PAINTING.
- We assume no responsibility for any damage resulting from improper installation, painting, modification and any cut wound in unsealing.
- Contact the car dealer when you have any question in removing OEM parts.
- During all the installation process, use parking brake and stop the engine completely.
- Use rasps or sandpapers to fit the products to the body if there is an individual difference.
- The product is made of FRP. Handle with care. Do not give the excessive force. Gradually fix the bolts and nuts by checking the fitment and balance of the installation.
- Check the fitment, and adjust all the details of the fitment steady and proper. Please check the fitment and all the details regularly, fix the bolts and nuts as necessary.
- The instruction of painting is just our recommendation, please paint it as you like.
- ※ PLEASE BE AWARE OF:
 - You may lose the warranty and all the services from the car maker, because of replacing OEM parts.
 - Reduced road clearance may cause inconvenience in using parking curbs and garage jack.
 - FRP, ABS and PPE products are slightly weaker than OEM parts in crashes.
 - The product may not match the body and OEM color perfectly.

Please purchase double sided tape, primer and caulking glue at auto accessory shop or hardware store.

Completely degrease and paint primer on all the installation positions to enhance the viscosity of double sided tape.
Use dryer to warm double sided tape to enhance the viscosity in low temperature.
Keep the car in a dry condition more than 24 hours after gluing.
Do not wash the car during this time.

	PARTS	QUANTITIES
TRUNK SPOILER	TRUNK SPOILER	1

Use caulking glue to fill the gap between the product and the body.



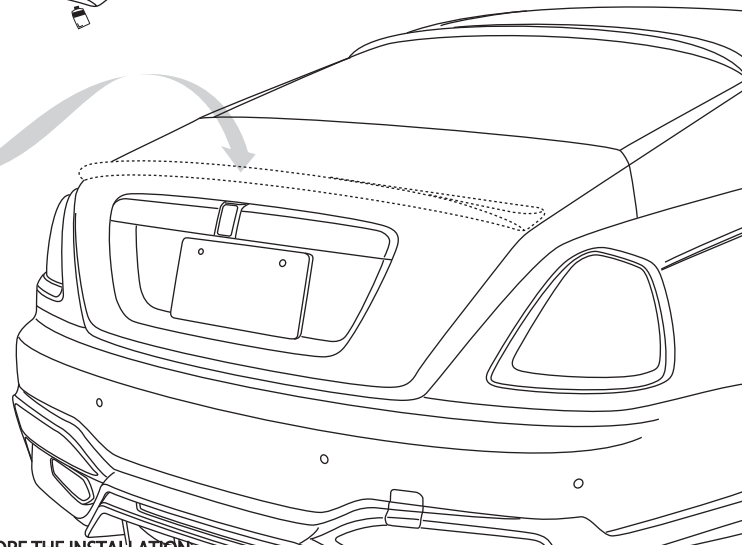
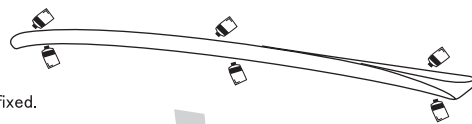
TRUNK SPOILER

【BEFORE PAINTING】

- 1) Temporarily install WALD Trunk Spoiler to the body.
- 2) Check the fitment, then use masking tape to mark the installation position.

【AFTER PAINTING】

- 3) Completely degrease the installation position, then use caulking glue and masking tape to install WALD Trunk Spoiler to the body according to the marked position.
- 4) Check all the details of the fitment, leave it till completely fixed.



ATTENTION

- ※ MORE THAN 2 TECHNICIANS ARE NECESSARY IN THIS WORK.
- ※ DURING ALL THE INSTALLATION PROCESS, PLEASE BE CAREFUL NOT TO DAMAGE THE BODY.
- ※ DEGREASE ALL THE INSTALLATION POSITION, AND REMOVE THE BODY PROTECTION COATING BEFORE THE INSTALLATION.